

# DrizAir 120 Dehumidifier

(Models: F123, F123-230V, F123-SP, F123-SM)

## Symbol Definition

- \* - multiple components to choose from for different models: voltage, size, color, etc.
- + - if you order this item, you may need to order additional items marked with same number of +'s in order to upgrade or complete repair

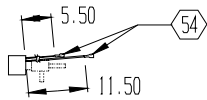
Find#	Part Description	Specifications/Model	Part #	Qty
24	Heat Shrink	1" Dia Black (9")	02-00006	ft. 0.75'
	Connector	Butt Fully Insul 16-14 Ga	02-00013	ea. 3
	Wire	Grey 14Ga Awm 105c/600v	02-00089	ft. 1.46'
	Wire	Red 14GA Awm 105c/600v	02-00099	ft. .54'
	Wire	White 14Ga AWM 105c/600v	02-00101	ft. 7.46'
	Wire	Black 14Ga AWM 105c/600v	02-00102	ft. 3.17'
	Wire	Green 14Ga AWM 105c/600v (40")	02-00103	ft. 3.33'
	Wire	White 18Ga Awm 105c/600v (93")	02-00104	ft. 7.75'
	Wire	Black 18Ga Awm 105c/600v (9")	02-00105	ft. 3'
	Wire	Yellow 18Ga Awm 105c/600v	02-00107	ft. .58'
	Wire	Blue 18Ga Awm 105c/600v (30")	02-00108	ft. 2.5'
	Wire	Purple 18Ga Awm 105c/600v	02-00110	ft. 1.92'
	Wire	Orange 14Ga Awm 105c/600v	02-00111	ft. 4.17'
	Connector	Qc .250 Fem Fully Insul	02-00135	ea. 13
	Connector	Ring #10 Insul 16/14 Ga	02-00516	ea. 5
	Flag Term Compr	14-16 .250 (amp) 4000	02-00769	ea. 3
68	Solenoid Coil	115v	02-00777	ea. 1
66	Strain Relief	Liquid Tight .312 Dia Blk (F123-230v)	02-00974A	ea. 1
54	Connector, Closed End	1/4" Ins Fem QC .250 Fully Insul 22/18 Ga	02-01117	ea. 2
	Connector, Closed End	1/4" Ins Fem QC .250 Fully Insul 22/18 Ga	02-01117	ea. 17
	Connector	Butt Fully Insul 22-18 Ga	02-01449	ea. 4
	Switch, Rocker	On/off (After 6/27/01) Send wiring diagram to RS	02-01471	
25	Spacer	1" Dia Tube Nylon Blk	03-00009	ea. 4
36	Cable Tie	4" Nylon	03-00012	ea. 16
	Cable Tie	4" Nylon	03-00012	ea. 10
	Washer	#10 SS Flat	03-00013	ea. 4
	Washer	Rivet Back-Up 3/16"	03-00013	ea. 2
	Washer	#10 SS Flat, 3/16" Rivet	03-00013	ea. 2
	Rivet	1/4" Stl	03-00022	ea. 4
75	Screw	#8-1/2" Pan Hd Phil Zp	03-00023	ea. 2
	Rivet	3/16 Al Lg Anodize	03-00030	ea. 4
	Rivet	1/8" Al/Al	03-00036	ea. 2
	Rivet	1/8" Feet Al Rivet	03-00036	ea. 3
26	Nut	#10-24 w/ Starwasher Zp	03-00038	ea. 9
	Nut	#10-24 w/ Starwasher Zp	03-00038	ea. 2
44	Screw	#10 x 3/8" AB Ser Hwh Zp Blk	03-00079	ea. 2
72	Screw	#10-24 x 3/8" Hwh Ser Zp (Replaces 03-00011)	03-00091	ea. 9
11	Rivet	3/16 x 1/4 Stl/Stl Blk, SB6-4	03-00432	ea. 2
	Rivet	3/16 x 1/4 Stl/Stl Blk, SB6-4	03-00432	ea. 9
	Rivet	3/16 x 1/4 Stl/Stl Blk, SB6-4	03-00432	ea. 6

Find#	Part Description	Specifications/Model	Part #	Qty
49	Clamp	Hose 3/8 Dia Spring Stl	03-00471	ea. 2
31	Hitch Pin	#17 Zp	03-00501	ea. 2
30	Washer	1/2" x 1.25" x .062 SS	03-00502	ea. 4
34	Screw	1/4-20 x 1.5 Phil Oval Hd Zp	03-00503	ea. 4
7	Washer	3/8" x 1.37" x .062 SS	03-00506	ea. 3
	Screw	#6-3/8 SS Phillips	03-00566	ea. 2
15	Cable Tie	11" Nylon	03-00813	ea. 2
	Strap, Capacitor	U Shape 2"	03-01338	ea. 1
	Latch	Door	03-01341	ea. 1
8	Bolt - Compressor Mt.	Shdlr/Sock 3/4"	03-01427	ea. 3
13	Screw	#10-24 x 1/2 SlT Hwh Zp	03-01429	ea. 6
	Screw	10-24 x 1/2" Slot Zp	03-01429	ea. 14
	Clamp	Hose, 3/4"	03-01464	ea. 5
	Plastic Bag	9 x 15 Poly 2 Mil	06-00056	ea. 1
	Box, Repairs	Brown Box	06-00081	ea. 1
78	Label	Model/Serial Number UL/CUL (115v units)	07-00165	ea. 1
	Card	Warranty Registration (F123)	07-00309	ea. 1
	Label	Caution (Y/B Dehu)	07-01432	ea. 1
1	Drain Hose Tube Assy	(2.5' long hose w/ fitting)	08-00019	ea. 1
69	Valve, Solenoid	Bypass, 1.9mm Dia	08-00108	ea. 1
	Tubing	3/16 OD x 030 w/ Soft AC/R	08-00153	ft. .41'
	Overload, Compressor	115v, DZ1200 #MRA 98866	08-00235	ea. 1
	Cover	Compressor, Nut Terminal	08-00240	ea. 1
	Gasket	Compressor, Rubber Nut	08-00241	ea. 1
	Spring	Compressor	08-00242	ea. 1
	Gasket, Compressor	Terminal Cvr 2-5/16 x 3-9/16 x .036 Rubber	08-00243	ea. 1
	Cover, Compressor	Terminal 3-14 x 2-1/8 x 1-5/8 Plastic	08-00244	ea. 1
	Grommet, Compressor	.375 ID x 1.50 OD Rubber Blk, nut	08-00247	ea. 3
63	Compressor	230v, Rotary 10555 BTU DZ2000	08-00283	ea. 1
4	Compressor *	6645 BTU (Prep compressor B4 ship)	08-00304	ea. 1
	Refrigerant	R-22 (Flat Fee \$25)	08-00755	oz. -
45	Insulation	Cork Tape 2" Wide x 1/8" Thick (5")	08-00784	ft. .42'
51	Insulation	Cork Tape 2" Wide x 1/8" Thick (5")	08-00784	ft. .42'
56	Insulation	Cork Tape 2" Wide x 1/8" Thick (6")	08-00784	ft. .5'
57	Insulation	Cork Tape 2" Wide x 1/8" Thick (6")	08-00784	ft. .5'
58	Insulation	Cork Tape 2" Wide x 1/8" Thick (6")	08-00784	ft. .5'
	Insulation	Cork Tape	08-00784	ft. 1.3'
46	Insulation	Pipe, 3/8" x 3/8" Wall Vinyl Nitrile (6.5")	08-00785	ft. .54'
59	Insulation	Pipe, 3/8" x 3/8" Wall Vinyl Nitrile (9")	08-00785	ft. .75'
74	Insulation	Pipe, 3/8" x 3/8" Wall Vinyl (12") (F123-230v)	08-00785	ft. 1'
77	Insulation	Pipe, 3/8" x 3/8" Wall Vinyl Nitrile (5")	08-00785	ft. .42'
	Evaporator		08-01179	ea. 1
	Condensor		08-01180	ea. 1
42	Filter Dryer	1/2 Ton, R-22	08-01460	ea. 1
6	Defrost Control	115v, Time/Temp	12-00073	ea. 1
	Hour Meter		12-00929	ea. 1
12	Defrost Control	230v, Time/Temp (F123-230V)	12-01167	ea. 1
	Tape	1" Blk Med Psa Resil	13-00003	ft. .18'
32	Rubber Tip	1" Dia Blk, Rigid, Handle	13-00510	ea. 2

Find#	Part Description	Specifications/Model	Part #		Qty
29	Wheel	9" x 1.75 x 1/2" Bore Black	13-00861	ea.	2
	Vinyl Cap	3/8 ID x 1" Lg, Black	13-01056	ea.	2
33	Metal Plug End	1" Dia Nc	13-01190	ea.	2
48	Vinyl Tube	1/4" ID x 3/8 " OD (sold in qtys of 40' )	15-00195	ft.	40'
	Pump Tubing	Peristaltic	15-00495	ft.	1
	Tube, Vinyl	1/2" ID x 3/4" OD	15-01463	ea.	1.5
	Tube, Vinyl	1/2" ID x 3/4" OD	15-01463	ft.	.91'
22	Fitting	Tee 1/4 x 1/4 x 1/4 Copper	18-00756	ea.	1
39	Vibration Dampner	3/8" Dia Copper Tube	18-00761	ea.	1
40	Vibration Dampner	1/4" Dia Copper Tube	18-00762	ea.	1
23	Fitting	Tee 3/8-3/8-1/4 AC/R Copper	18-00764	ea.	1
41	Valve	Line Service 1/4" Dia Copper (Shrader Valve)	18-00817	ea.	1
28	Clamp	1/4" Copper (for Copper Tube)	18-01132	ea.	1
	Fitting, Coupling	1/2 Hose End, Male	18-01339	ea.	1
	Fitting, Reducing Elbow	1/2" x 1/4"	18-01430	ea.	1
	Fan, Motor, and Blade	Shroud Assembly, Complete	19-01362	ea.	1
19	Filter	Foam, 10.75 x 14.75 x .43, 30 Ppi Blk	20-01361	ea.	1
	Pump, Peristaltic	115v (see 02-01170 for 230v)	23-00001	ea.	1
	Pump Plate	w/ Bushing (cover w/ 4 screw holes)	23-00002	ea.	1
	Pump Bushing	For Pump Plate	23-00003	ea.	1
	Roller Assembly	Peristaltic Pump Roller	23-00004	ea.	1

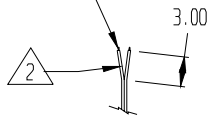
# DrizAir 120 Pictorial Drawing

(SEE DETAIL B)

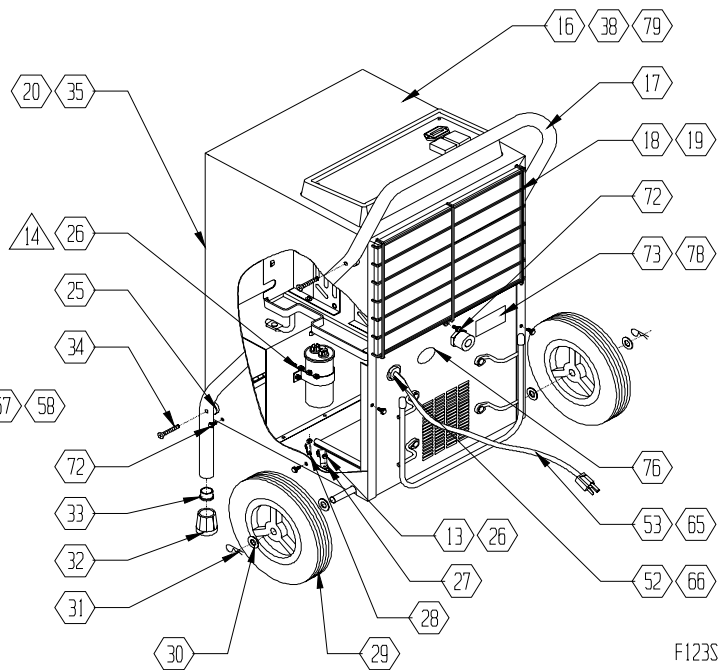
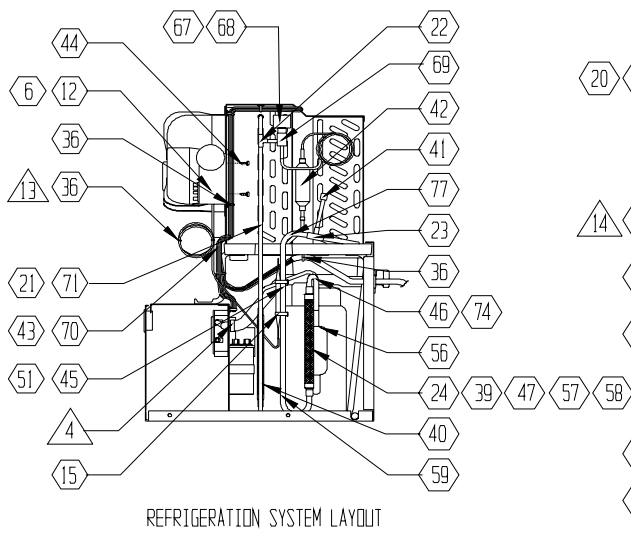
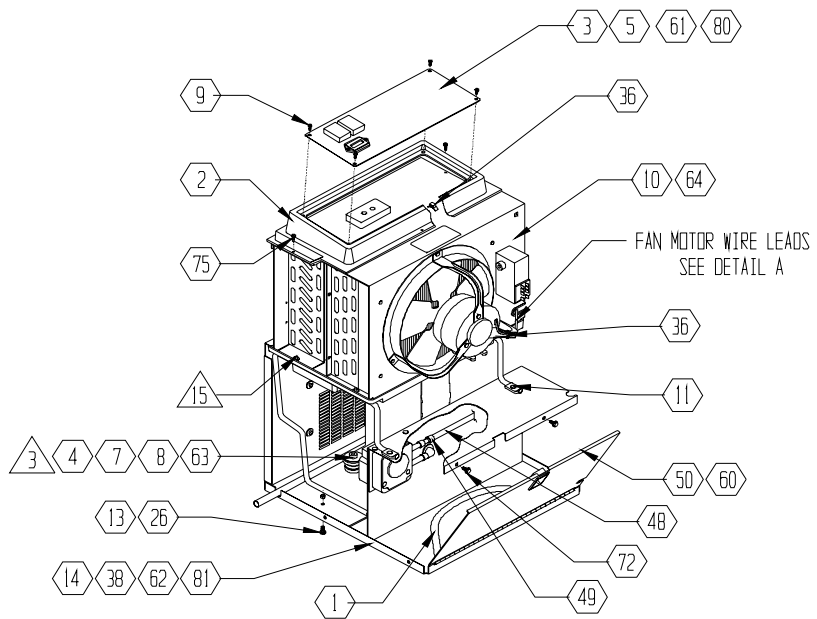


COIL WIRE LEAD DATA  
DETAIL B

STRIP ENDS  $.25 \pm .06$



FAN MOTOR WIRE LEADS  
DETAIL A



F123S