

TurboVent Drying System Parts Price List

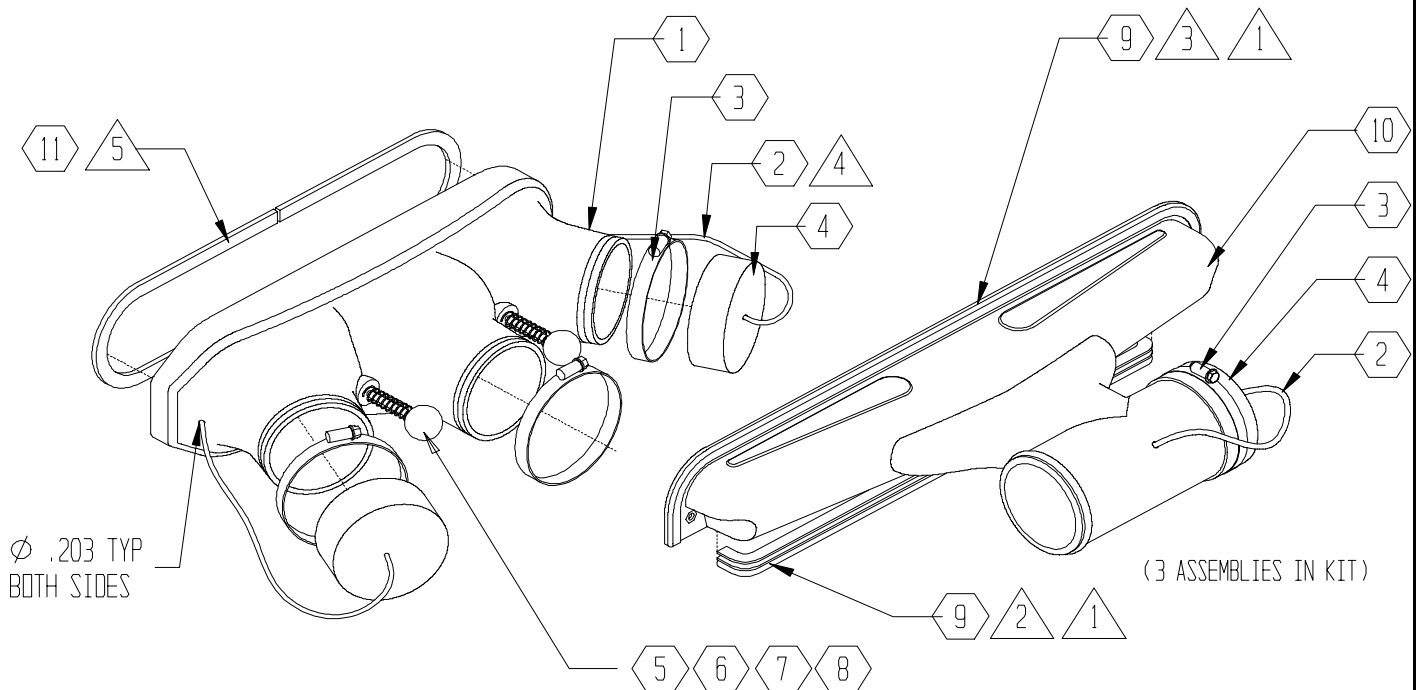
(Models: F200)

Symbol Definition

- * - multiple components to choose from for different models: voltage, size, color, et
- + - if you order this item, you may need to order additional items marked with same number of +'s in order to upgrade or complete repair

	Part Description	Specifications/Model	Part #	Qty
8	Washer	Washer 1/4"	03-00001	ea. 2
4	Cap	3.88 ID x 1.25 x .090W Vinyl Blk	03-00044	ea. 5
	Screw	#6 x 1.625 Drywall (#6 x 1 5/8")	03-00069	ea. 6
3	Clamp	Hose 4" SS	03-00070	ea. 9
5	Spring	.437 OD x 2 LG x .054 Wire Zp St	03-00108	ea. 2
6	Knob	Ball 1.25 Thermoplastic w/ 1/4-20	03-00109	ea. 2
11	Gasket	1/2 x 1/2 Polyurethane Psa (39")	03-00121	ea. 3.25'
	Nut	1/4-20 x .120 Flush Insert Hex SS (Inset)	03-00122	ea. 2
	Bag	9 x 15 Poly	06-00056	ea. 1
	Bag	35 x 14 x 16 Corner, Wheeled Duffle Blk	06-00077	ea. 1
	Box	39.625 x 11.625 x 16.5 250 Ck Rsc	06-00079	ea. 1
	Manual	Owners	07-00272	ea. 1
	Ducting	4" x 50' Black Vinyl	13-00011	ea. 1
7	Hook		13-00052	ea. 2
2	Bungee Cord	5/32 OD Black (60")	13-00055	ft. 5'
10	Mini Turbovent	24 Poly Black (this is a raw part)	13-00056S	ea. 3
9	Trim	4100-1/8-A	13-00746	ft. 12.5'

Mini TurboVent Pictorial Drawing



SNOLIT ADAPTER ASSEMBLY

MINI TURBOVENT ASSEMBLY

F200E

