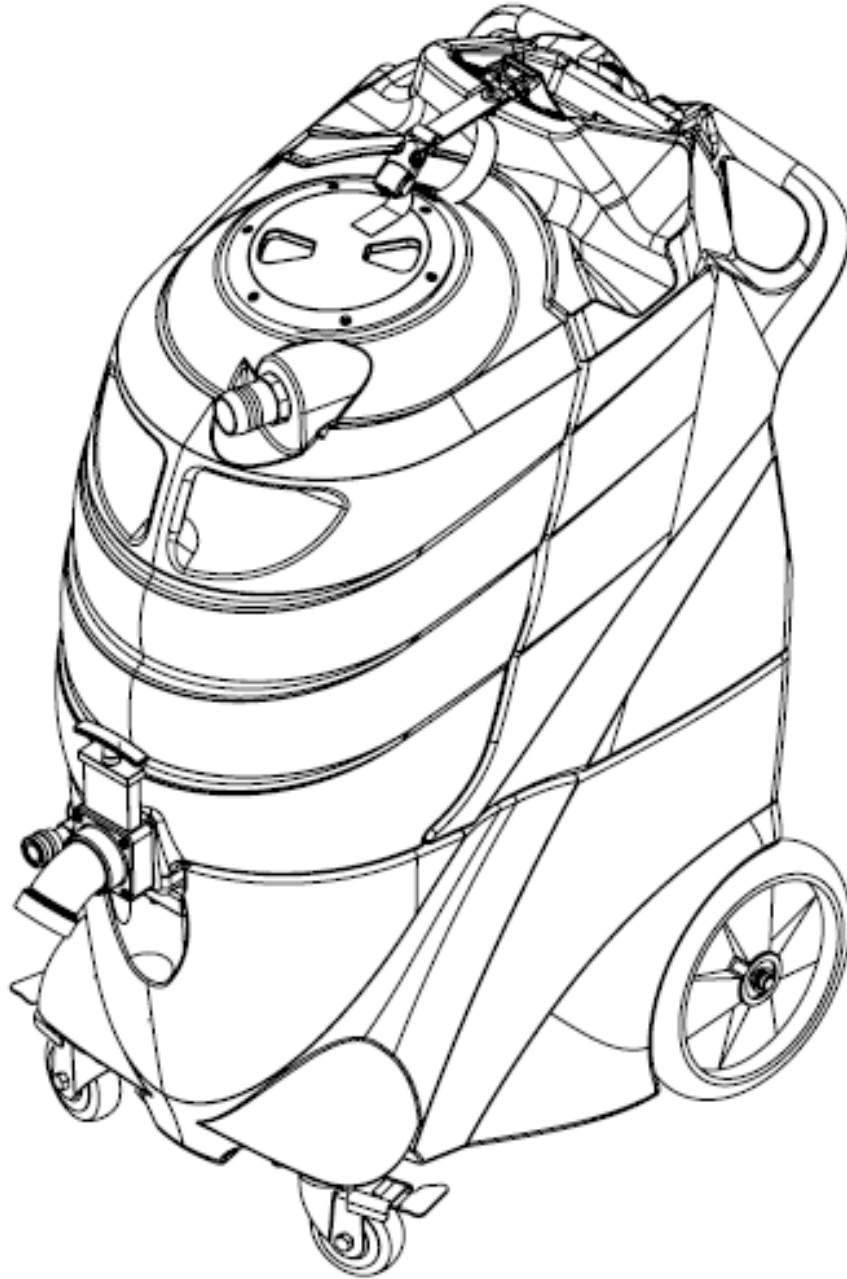


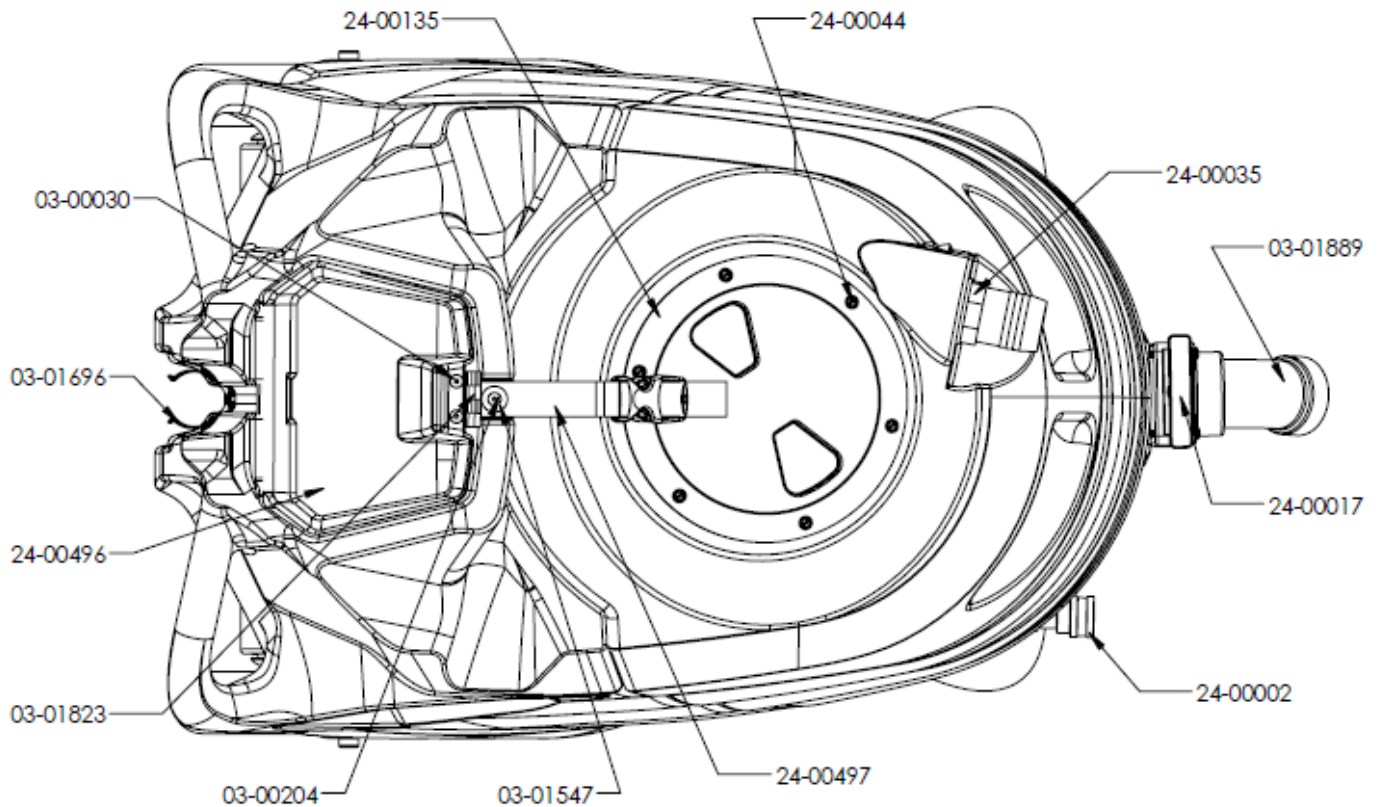
PORTABLE EXTRACTOR 200/200H

(78-001 – 78-002)

115V – 230V

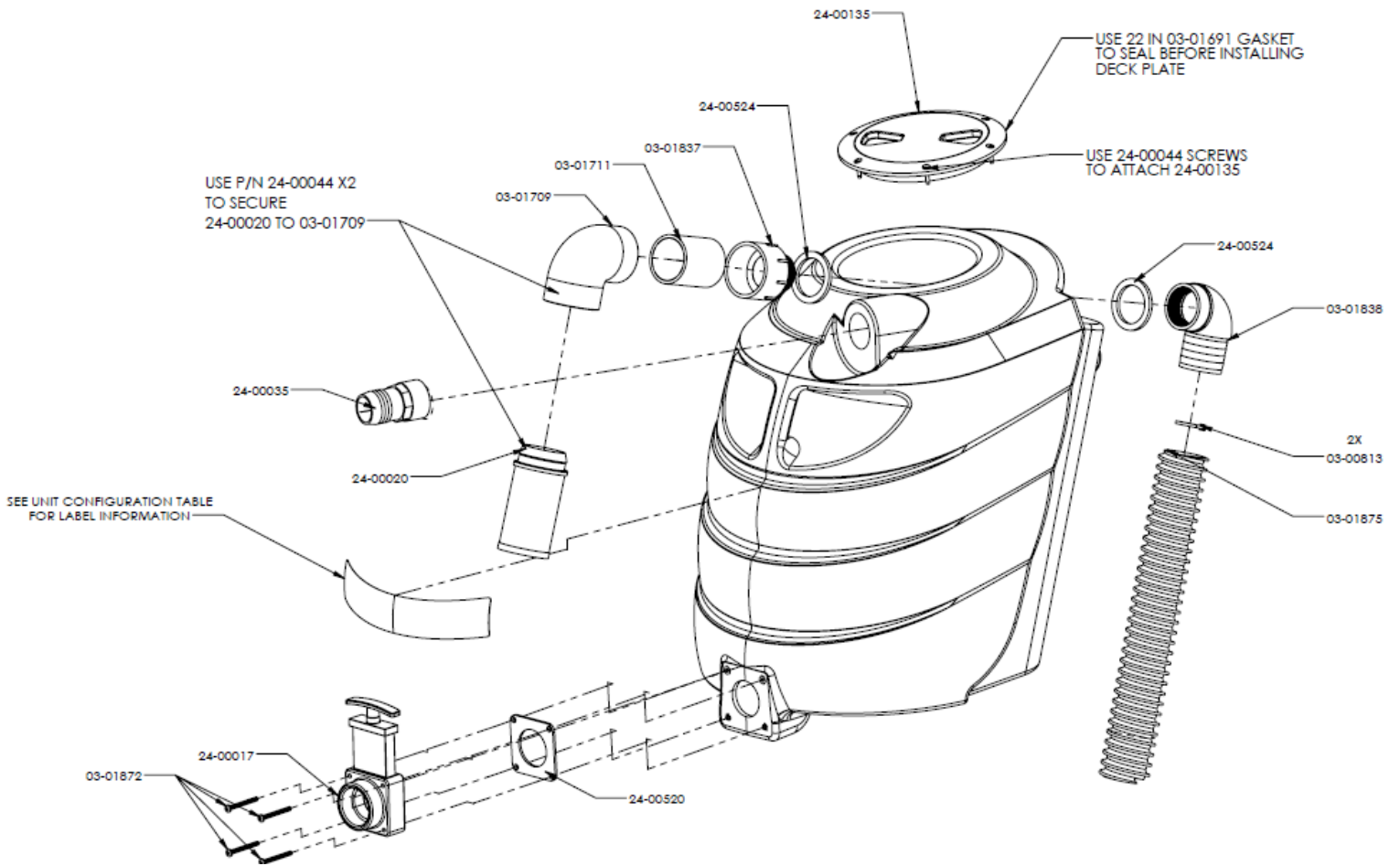


200/200H
TOP VIEW



PART #	QTY	DESCRIPTION
03-00030	4	RIVET - 3/16 X 1/2 AL/AL BLK AND
03-00204	1	RIVET - 3/16 X 5/8 TRI FOLD AL/AL
03-01547	1	WASHER - FLAT .203 ID X .734 OD X .06 THK ZP
03-01696	1	CLIP - GRIP 1.50 DIA SPRING STL BLK VINYL COAT
03-01823	1	HINGE - SURFACE MOUNT 40 X 40MM NYLON BLK
03-01889	1	ELBOW - STREET 45 DEGREE FEMALE X MALE 1.5 ABS DWV BLK
24-00002	1	FTG - 1/4 FPT X 1/4 FQC BRASS
24-00007	2	WHEEL - 10 X 1.75 X .5 BORE BLK (NOT SHOWN FOR CLARITY)
24-00017	1	DUMP VALVE
24-00035	1	FTG - 1 1/2 " X 1 1/2" BARB
24-00044	6	SCREW - #8 X 5/8 PHIL PH ZP
24-00135	1	DECK PLATE - 6" BLK/CLEAR ACCESS LID
24-00496	1	LID - SOLUTION TANK PORTABLES
24-00497	1	STRAP ASSY - 1.00W X 28.00L WITH BUCKLES
24-00552	2	CASTER - 3 1/2 " X 1 1/4 " SOFT RUBBER LOCKING (NOT SHOWN FOR CLARITY)

VACUUM TANK ASSEMBLY

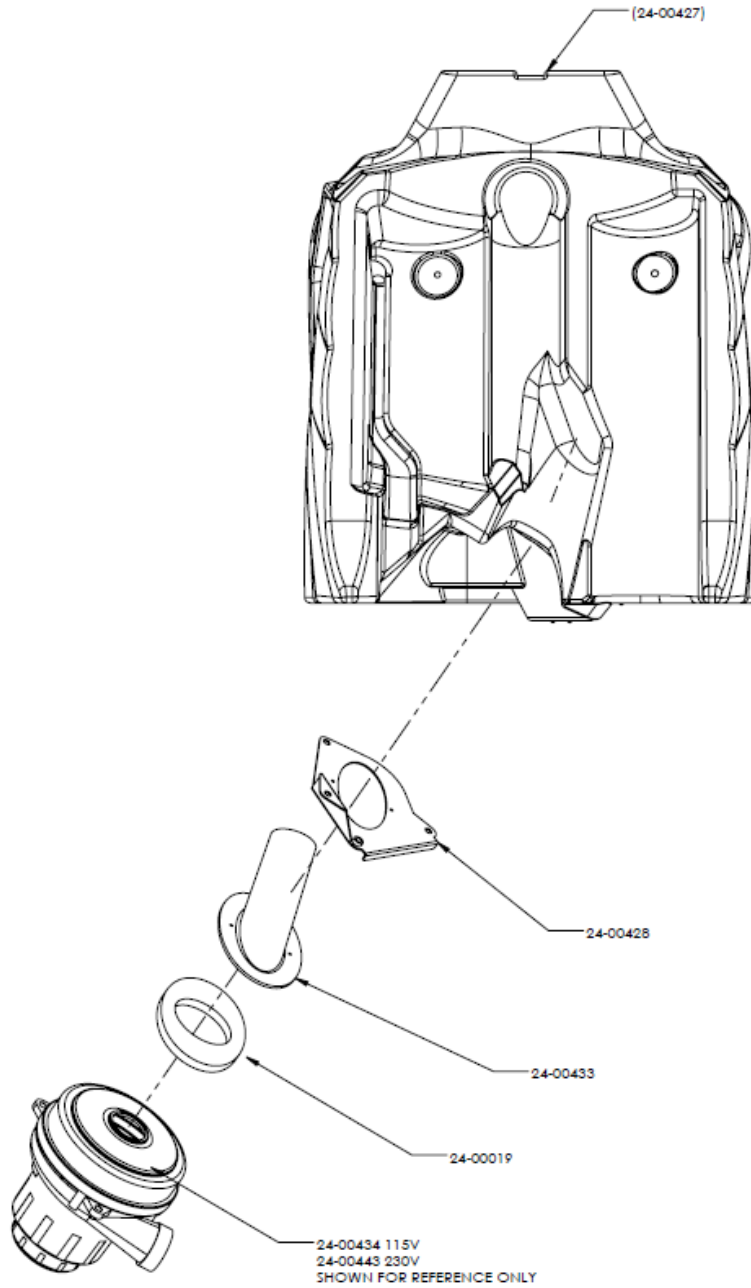


VACUUM TANK ASSEMBLY

PARTS LIST

PART #	QTY	DESCRIPTION
03-00813	2	CABLE TIE – 11" NYLON
03-01691	1	GASKET – 1/2 X 1/2 PVC PSA
03-01709	1	ELBOW – 90 DEGREE 2 IN DWV PVC WHT
03-01711	1	PIPE – 2 IN PVC DWV WHT
03-01837	1	FITTING – REDUCER 2 IN SLIP X 1.5 NPT
03-01838	1	FITTING - ELBOW 90 DEGREE 1.5 NPT X 2 IN BARB
03-01872	4	SCREW – #10-24 X 1.5 PHP ZP
03-01875	17"	HOSE – 2.0 IN X 50FT VACUUM CRUSHPROOF R4 CLEAR
24-00015	1	VAC TANK – POLYETHYLENE
24-00017	1	DUMP VALVE
24-00020	1	FLOAT – SHUT OFF
24-00035	1	FTG – 1 1/2" MPT X 1 1/2 " BARB
24-00044	6	SCREW - #8 X 5/8 PHIL PH ZP
24-00135	1	DECK PLATE – 6" BLK/CLEAR ACCESS LID
24-00520	1	GASKET – DUMP VALVE
24-00524	2	GASKET – 1.5 IN NPT X 2.75 IN X .125

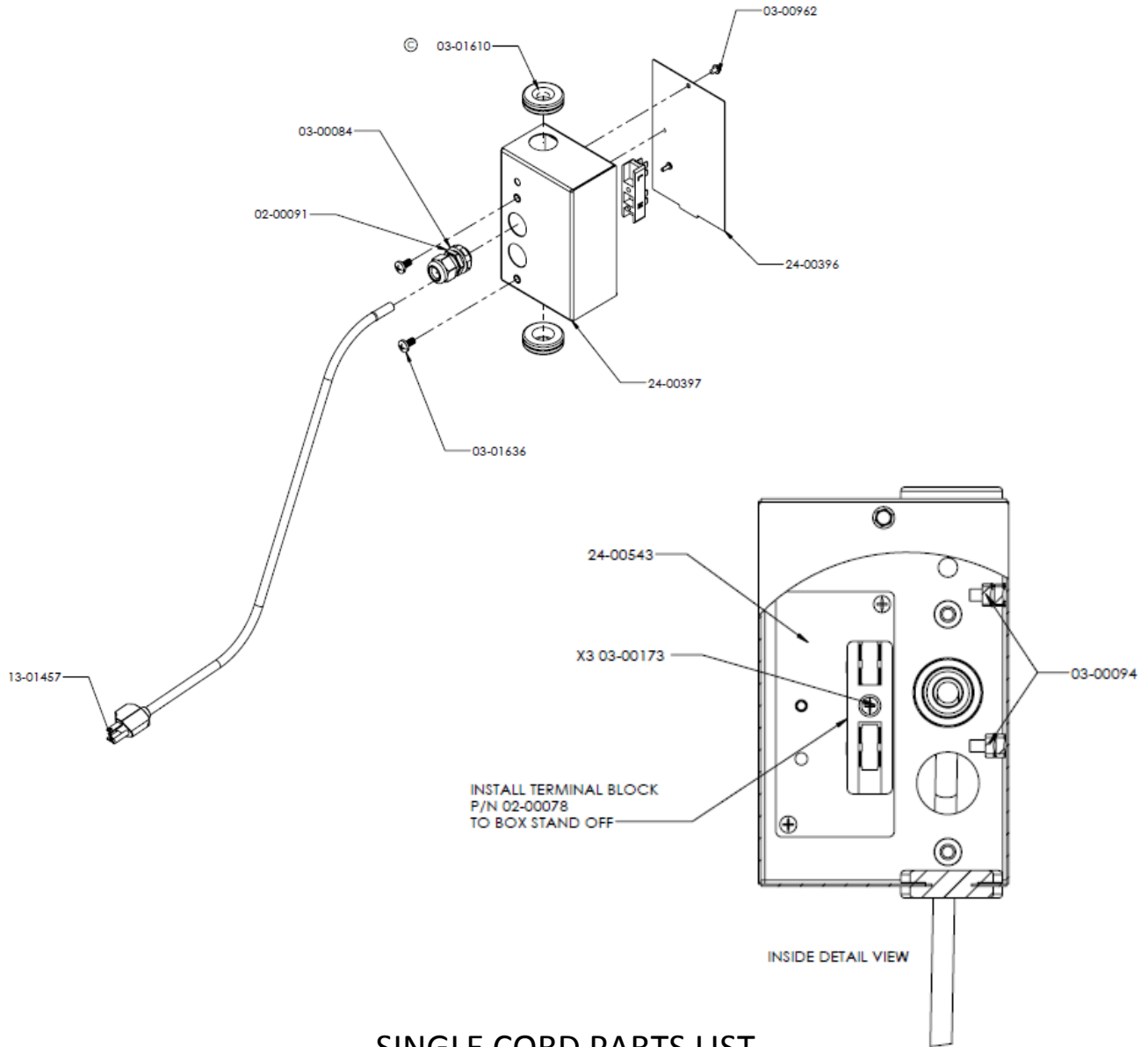
BLOWER AND CONNECTING PARTS



BLOWER AND CONNECTING PARTS LIST

PART #	QTY	DESCRIPTION
24-00019	1	GASKET – FOAM VAC
24-00427	1	TANK – SOLUTION POLYETHYLENE PORTABLE EXTRACTOR 200
24-00428	1	BRACKET – VACUUM ADAPTER PORTABLE EXTRACTOR
24-00433	1	MANIFOLD – VACUUM INLET PORTABLE EXTRACTOR
24-00434	1	BLOWER ASSY – 120V 1600W 1SP 2 STAGE 6.6
24-00443	1	BLOWER ASSY – 230V 1600W 1SP 2 STAGE 6.6

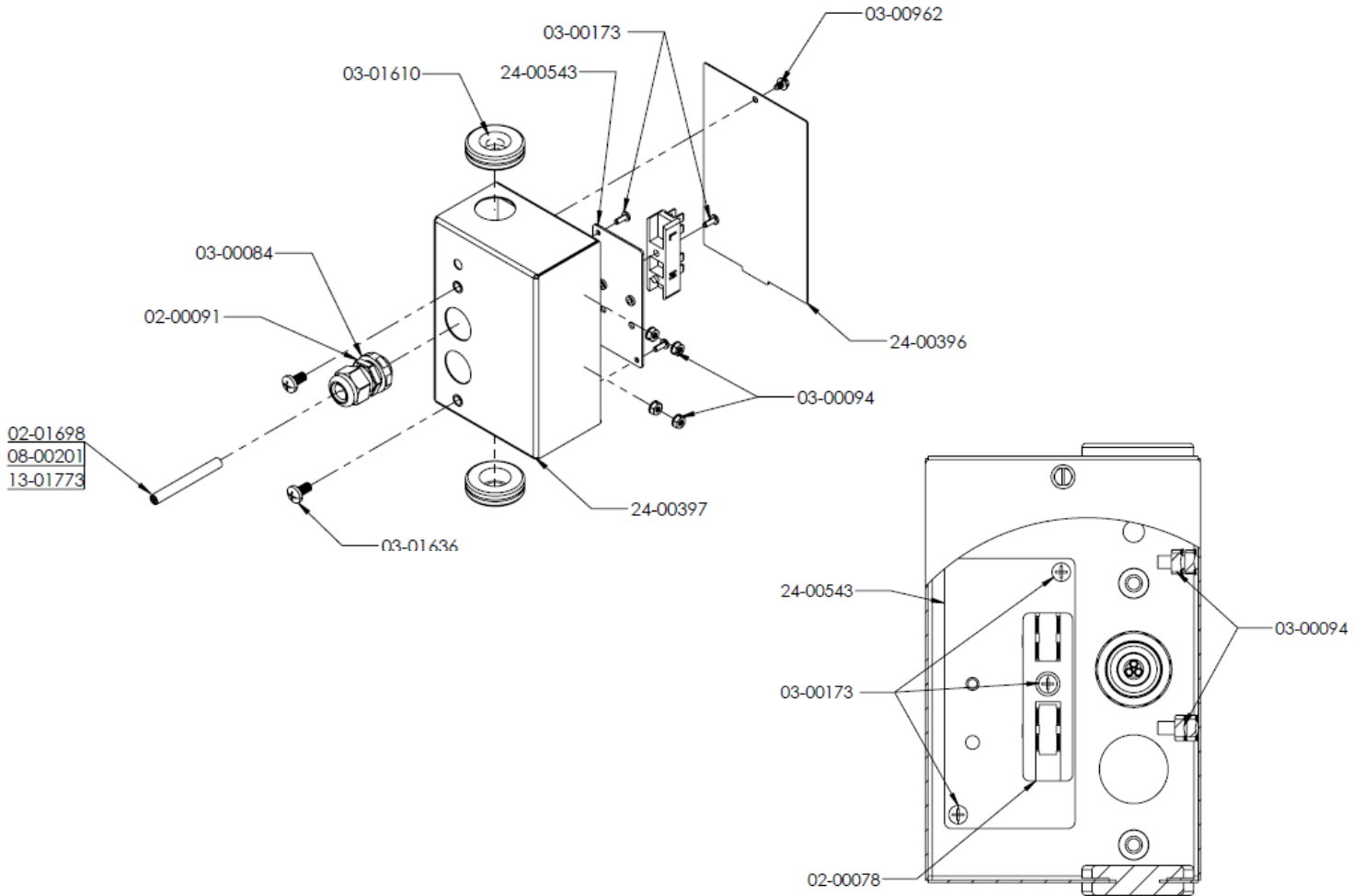
SINGLE CORD (78-001 – 115V)



SINGLE CORD PARTS LIST (115V)

PART #	QTY	DESCRIPTION
02-00078	1	TERMINAL BLOCK – GP 4 X 4 SCREW
02-00091	1	STRAIN RELIEF – LIQUID TIGHT .470 BLK
03-00084	1	NUT – 1/2 NPT NYLON BLK
03-00094	2	NUT - #10-32 W/STAR WASHER ZP
03-00173	1	SCREW - #6-32 X 3/8 PHIL PH ZP
03-00962	1	SCREW - #8-32 X 1/4 TC CLASS 2 HWH ZP
03-01636	2	SCREW – 1/4 -20 X .50 PHP SS
03-01834	2	GROMMET – 1 OD X 1/2 ID X 3/32 PANEL
13-01457	1	POWER CORD ASSY – 14/3 SJTW 5-15 25FT
24-00396	1	FORMING – WIRE BOX COVER PORTABLE
24-00397	1	FORMING – WIRE BOX PORTABLE

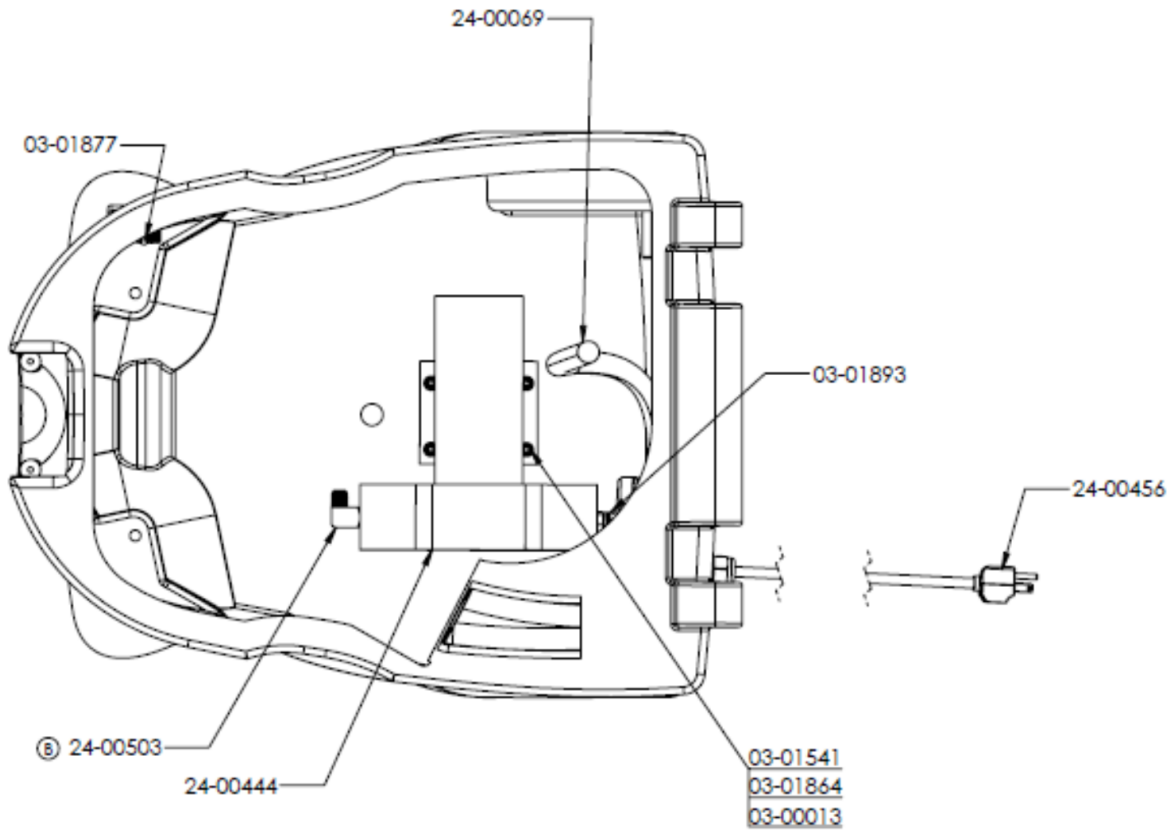
SINGLE CORD 230V (78-001-230V)



SINGLE CORD PARTS LIST (230V)

PART #	QTY	DESCRIPTION
02-00078	1	TERMINAL BLOCK – GP 4 X 4 SCREW
02-00091	1	STRAIN RELIEF – LIQUID TIGHT .470 BLK
02-01698	1	POWER CORD ASSY – 3 X 1.00MM H07RNF AS3112 25FT
03-00084	1	NUT – 1/2 NPT NYLON BLK
03-00094	2	NUT -#10-32 W/STAR WASHER ZP
03-00173	3	SCREW - #6-32 X 3/8 PHIL PH ZP
03-00962	1	SCREW - #8-32 X 1/4 TC CLASS 2 HWH ZP
03-01636	2	SCREW – 1/4-20 X .50 PHP SS
03-01834	2	GROMMET – 1 OD X 1/2 ID X 3/32 PANEL
08-00201	1	POWER CORD ASSEMBLY – 3 X 1.50MM H07RNF BS1363
13-01773	1	POWER CORD ASSY – 3 X 1.00MM H07RNF CEE7/7 25FT
24-00396	1	FORMING – WIRE BOX COVER PORTABLE
24-00397	1	FORMING – WIRE BOX PORTABLE
24-00543	1	PLATE – MOUNTING TERMINAL BLOCK

**PUMP
(78-001-115V)**

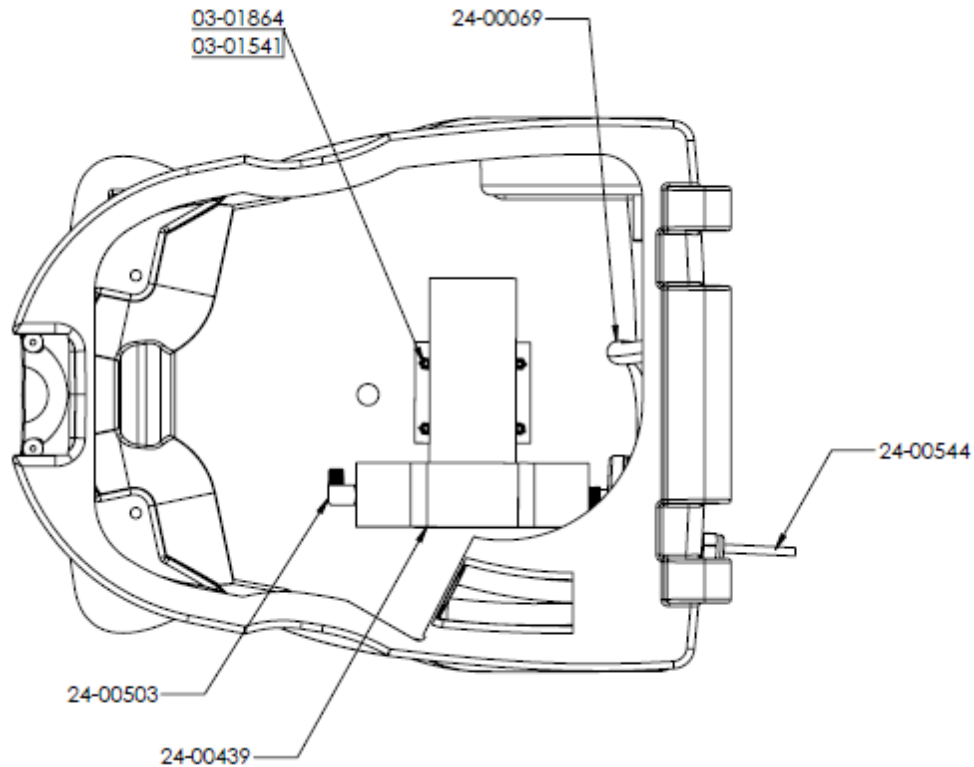


PART #	QTY	DESCRIPTION
03-00013	8	WASHER – 3/16 RIVET .19 IN X .47 OD X .05 ZP
03-01541	4	NUT - #10-32 NYLOC ZP
03-01864	4	SCREW - #10-32 X 1 1/4 PHP ZP
24-00069	1	HOSE – 1/2 ID CLEAR 28 INCHES
24-00444	1	PUMP ASSY – PRESSURE 200 PSI 115V
24-00503	1	FITTING – ELBOW 1/4 IN STREET BRASS

SOME PARTS SHOWN HERE WILL BE RE-USED

WHEN REPLACING PUMP

PUMP
(78-001-230V)

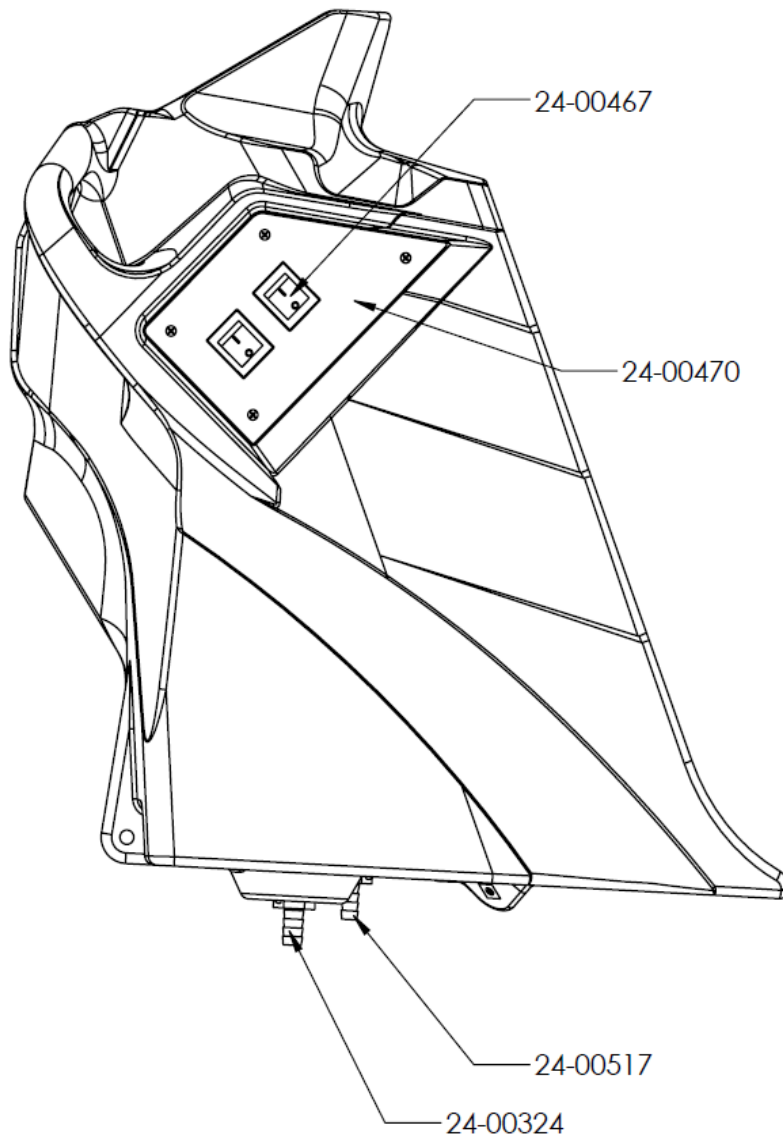


PART #	QTY	DESCRIPTION
03-01541	4	NUT - #10-32 NYLOC ZP
03-01864	4	SCREW - #10-32 X 1 1/4 PHP ZP
24-00069	1	HOSE - 1/2 ID CLEAR 28 INCHES
24-00439	1	PUMP ASSY - PRESSURE 200 PSI 230V
24-00503	1	FITTING - ELBOW 1/4 IN STREET BRASS

SOME PARTS SHOWN HERE WILL BE RE-USED

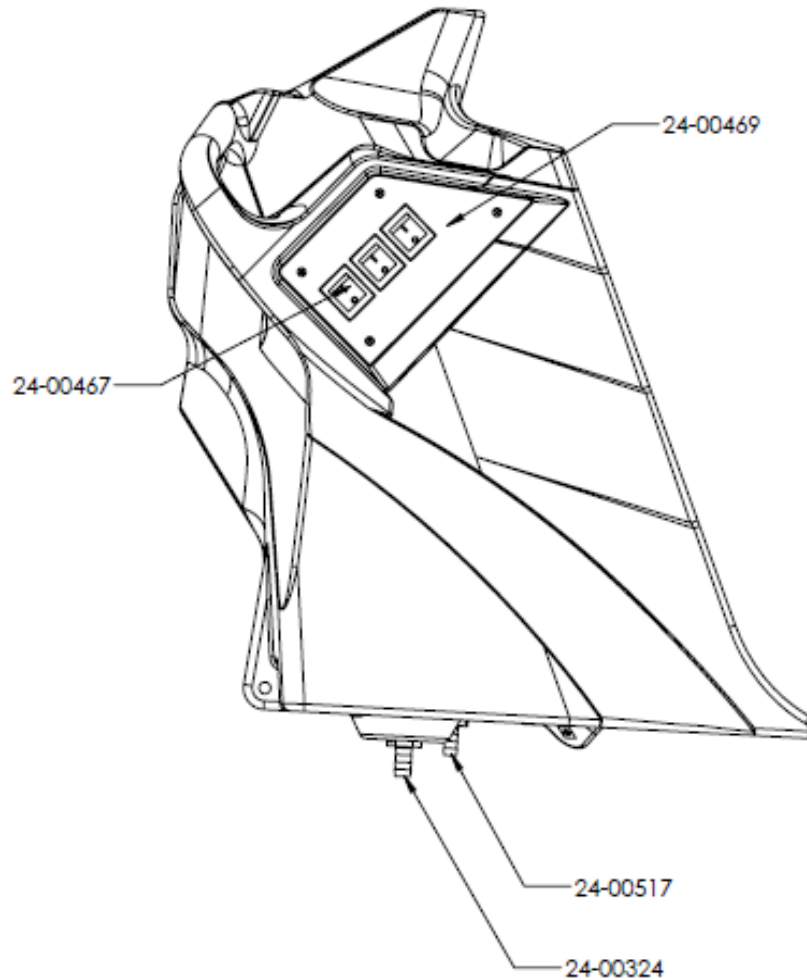
WHEN REPLACING PUMP

SOLUTION TANK PARTS SIDE VIEW 2 SWITCH



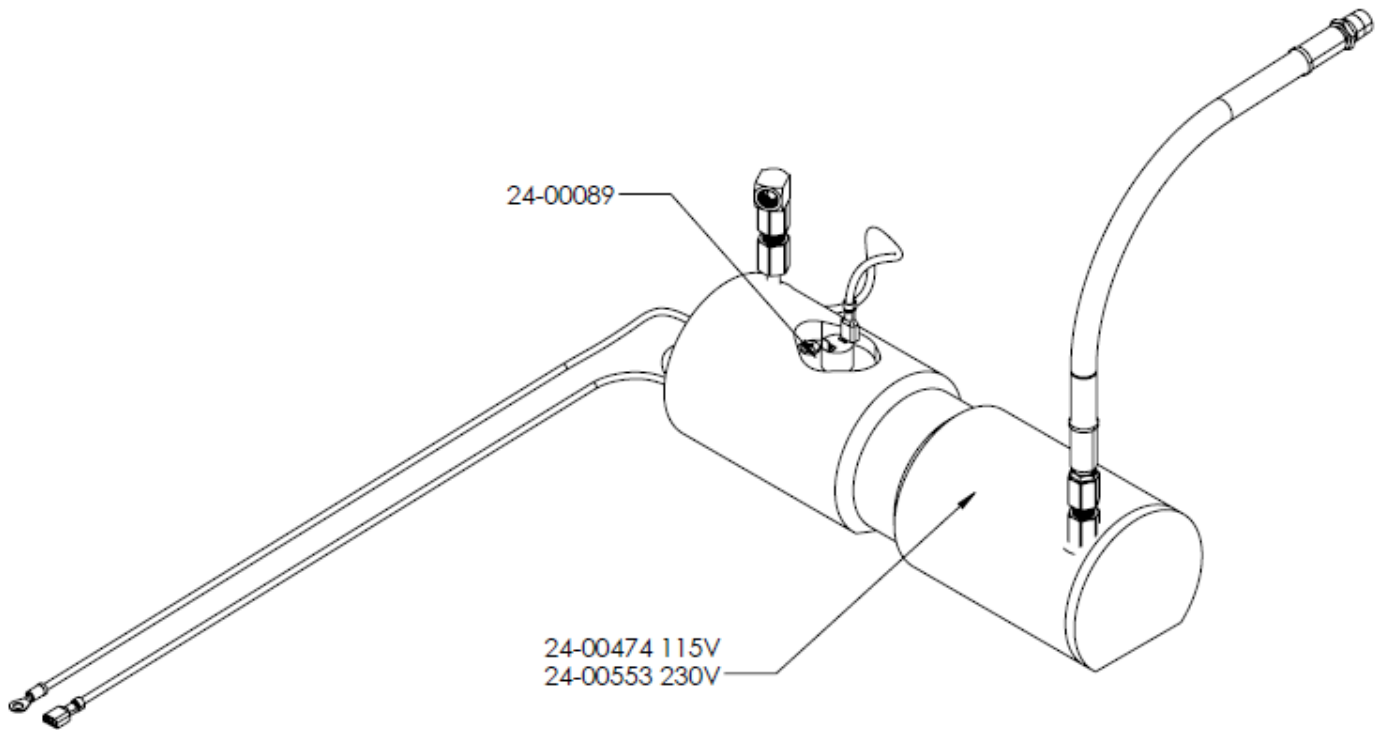
PART #	QTY	DESCRIPTION
24-00324	1	FTG – 1/2 NPT X 1/2 HB NYLON
24-00467	1	SWITCH - ROCKER DPST (SOLD INDIVIDUALLY)
24-00470	1	ASSY – BOX ELECTRICAL 2 SWITCH
24-00517	1	FITTING – 1/2 NPT X 3/8 IN BARB

SOLUTION TANK PARTS SIDE VIEW 3 SWITCH
(WITH HEAT)



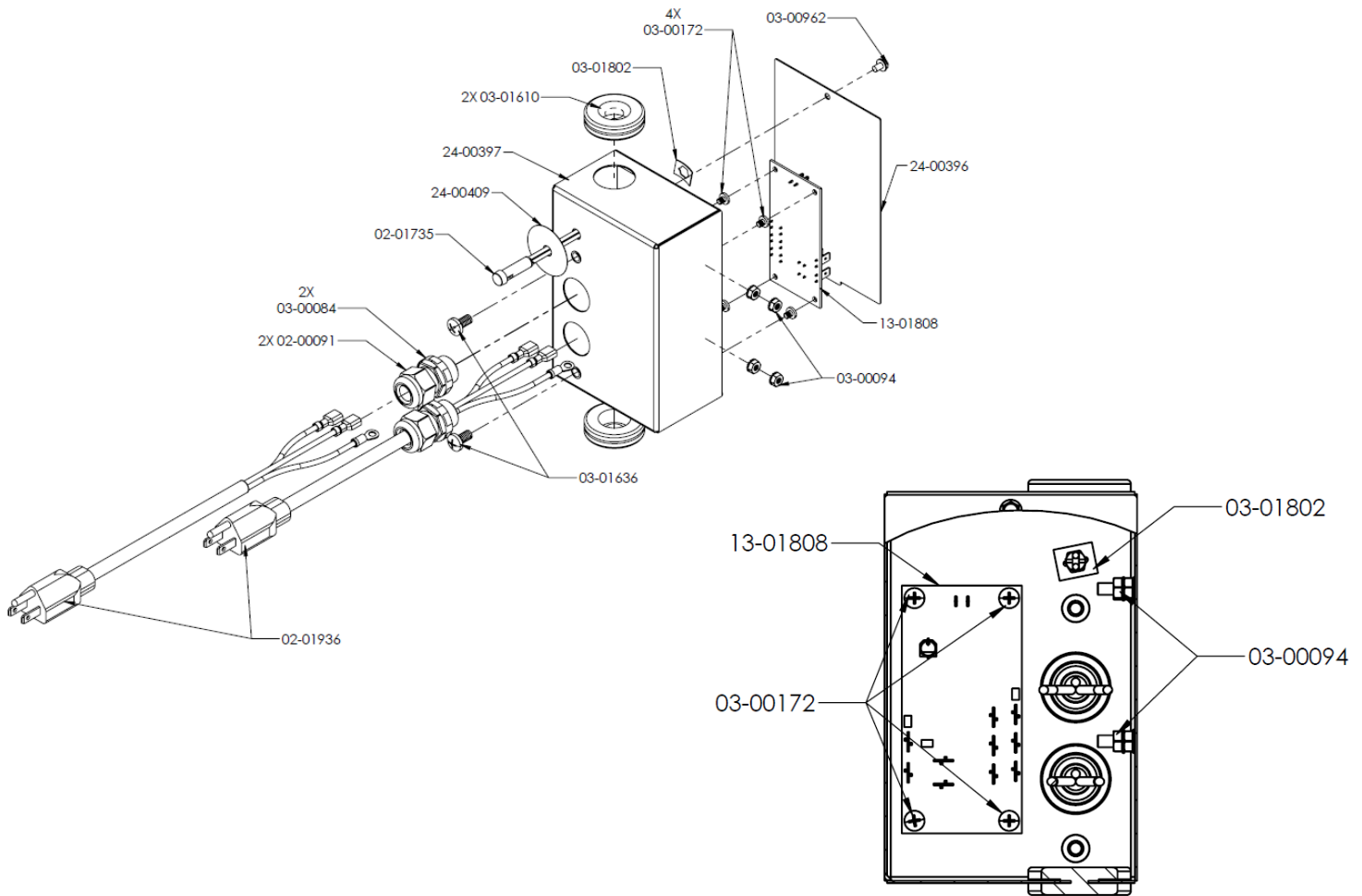
PART #	QTY	DESCRIPTION
24-00324	1	FTG – 1/2 NPT X 1/2 HB NYLON
24-00467	1	SWITCH - ROCKER DPST (SOLD INDIVIDUALLY)
24-00469	1	ASSY – BOX ELECTRICAL 3 SWITCH
24-00517	1	FITTING – 1/2 NPT X 3/8 IN BARB

HEATER ASSEMBLY (115V/230V)



PART #	QTY	DESCRIPTION
24-00089	1	SWITCH – 190 DEG THERMOSTAT 115V/230V
24-00474	1	HEATER CARTRIDGE – 1750 WATT 120 VOLT
24-00553	1	ASSY – HEATER 2000 WATT 230V

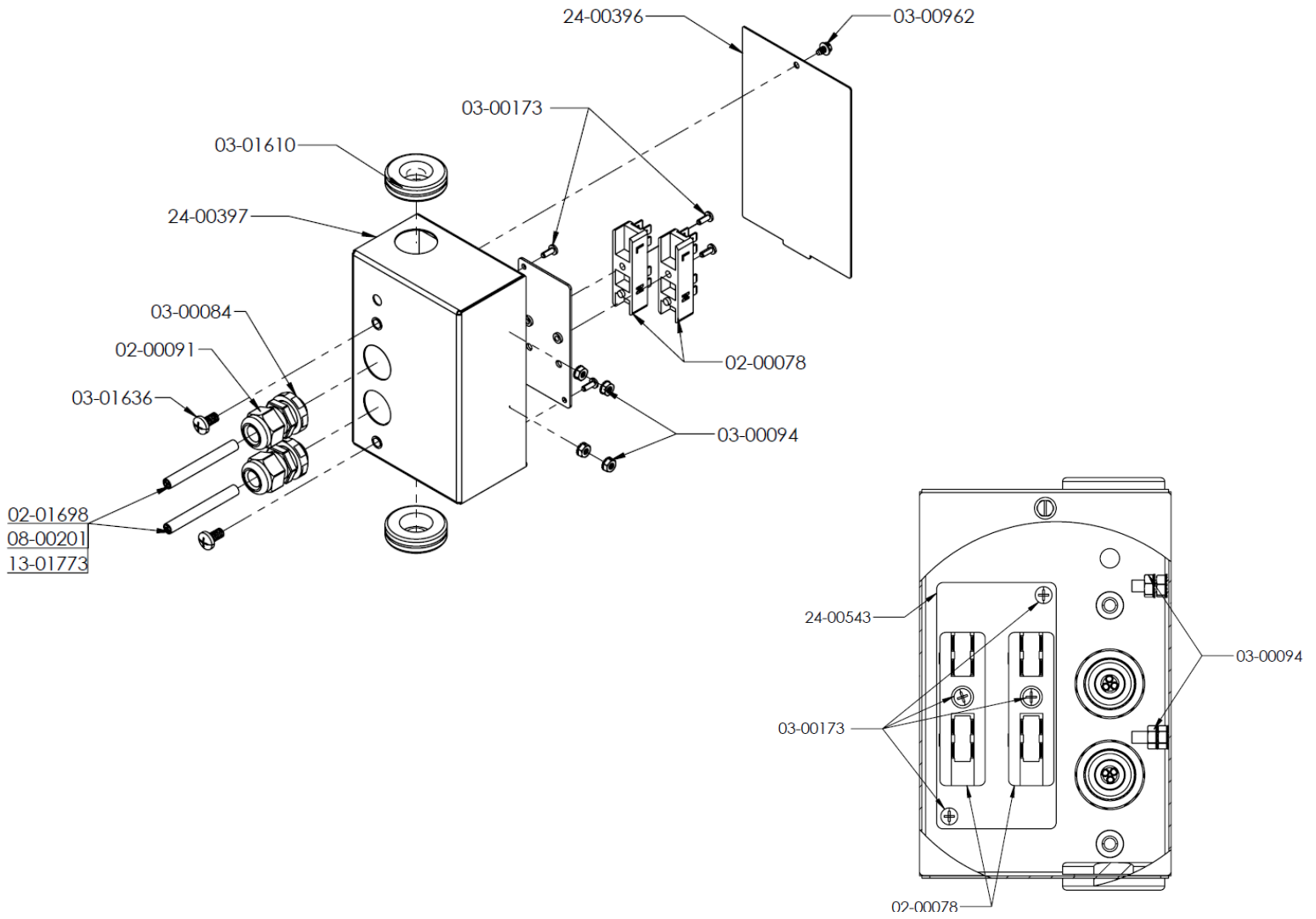
DUAL CORD 115V (78-002-115V)



SINGLE CORD PARTS LIST (115V)

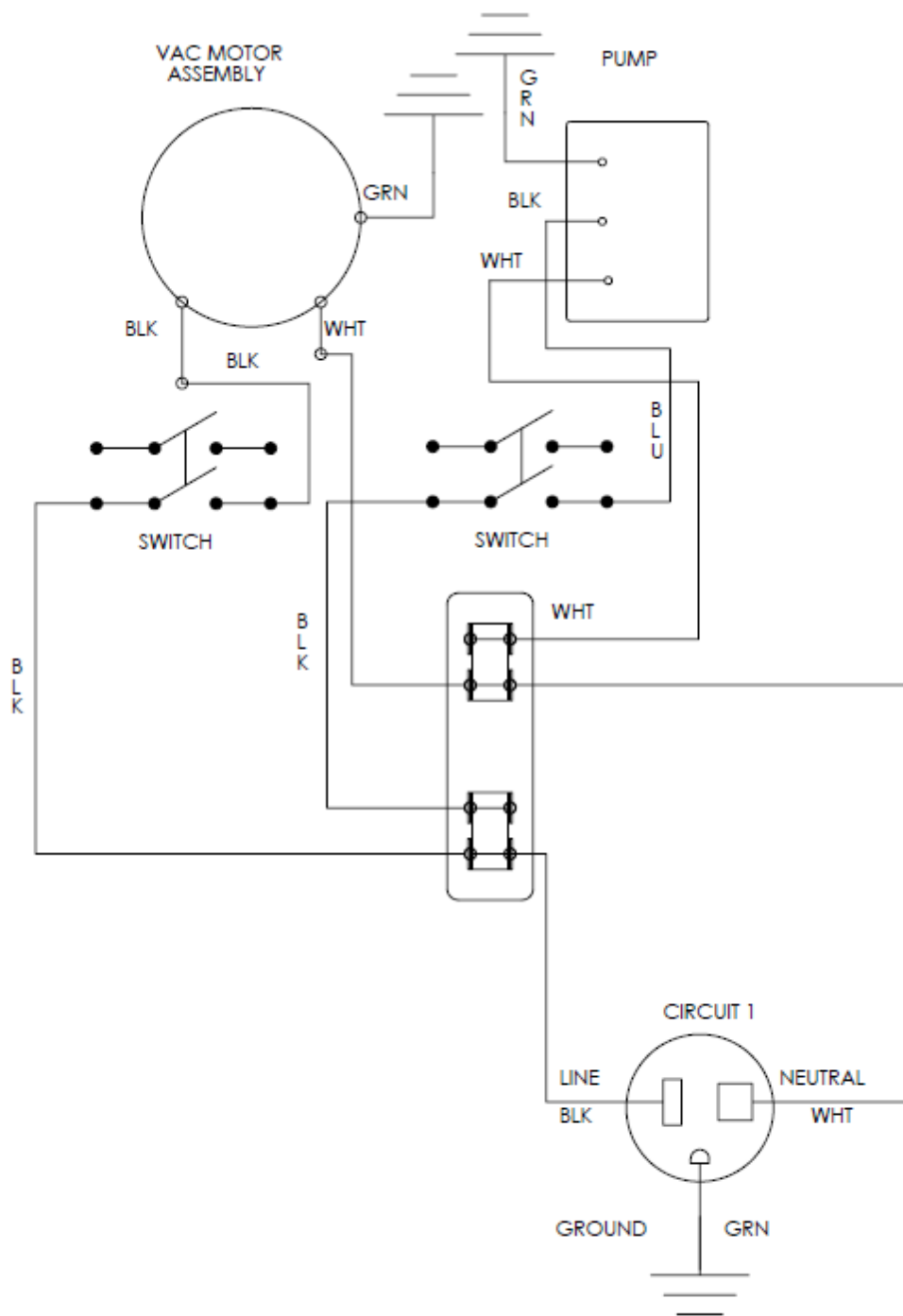
PART #	QTY	DESCRIPTION
02-00091	2	STRAIN RELIEF – LIQUID TIGHT .470 BLK
02-01735	1	LIGHT ASSY – INDICATOR 2V GREEN
02-01936	2	POWER CORD ASSY – 14/3 SJTW NEMA 5-15PH CLEAR/ ROJ 6 IN STRIP 1/4 IN 12 IN
03-00084	2	NUT – 1/2 NPT NYLON BLK
03-00094	4	NUT - #10-32 W/STAR WASHER ZP
03-00172	4	SCREW - #6-32 X 3/16 PHIL PH ZP
03-00962	1	SCREW - #8-32 X 1/4 TC CLASS 2 HWH ZP
03-01610	2	GROMMET - .875 ID X 1.625 OD RUBBER
03-01636	2	SCREW -1/4-20 X .50 PHP SS
03-01802	1	CLIP – TINNEMAN .313 DIA BLK OXIDE
13-01808	1	PCBA – SEPARATE CIRCUIT INDICATOR
24-00396	1	FORMING – WIRE BOX COVER PORTABLE
24-00397	1	FORMING – WIRE BOX PORTABLE
24-00409	1	LABEL – INDICATOR LIGHT SURROUND PORTABLES

DUAL CORD 230V (78-002-230V)

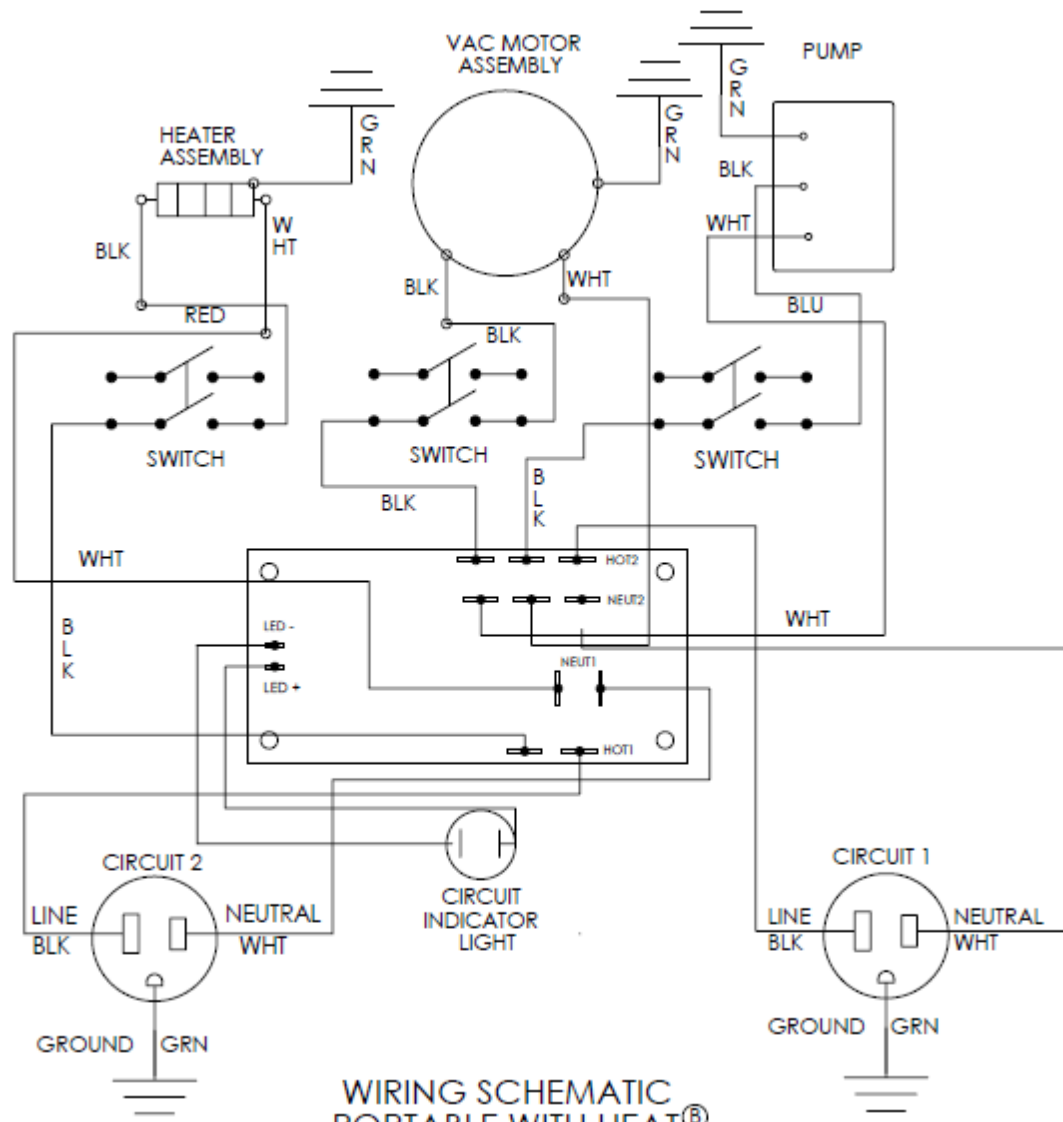


DUAL CORD PARTS LIST (230V)

PART #	QTY	DESCRIPTION
02-00078	2	TERMINAL BLOCK- 4 X 4 SCREW
02-00091	2	STRAIN RELIEF – LIQUID TIGHT .470 BLK
02-01698	1	POWER CARD ASSY – 3 X 1.00MM H07RN AS3112 25FT HEPA 500 230V
03-00084	2	NUT – 1/2 NPT NYLON BLK
03-00094	4	NUT - #10-32 W/STAR WASHER ZP
03-00173	4	SCREW - #6-32 X 3/8 PHIL PH ZP
03-00962	1	SCREW - #8-32 X 1/4 TC CLASS 2 HWH ZP
03-01610	2	GROMMET - .875 ID X 1.625 OD RUBBER
03-01636	2	SCREW – 1/4-20 X .50 PHP SS
08-00201	1	POWER CORD ASSY – 3 X 1.50MM H07RNF BS1363 25FT
13-01773	1	POWER CORD ASSY – 3 X 1.00MM H07RNF CEE7/7 25FT HEPA 500 230V
24-00396	1	FORMING – WIRE BOX COVER PORTABLE
24-00397	1	FORMING – WIRE BOX PORTABLE
24-00543	1	PLATE – MOUNTING TERMINAL BLOCK



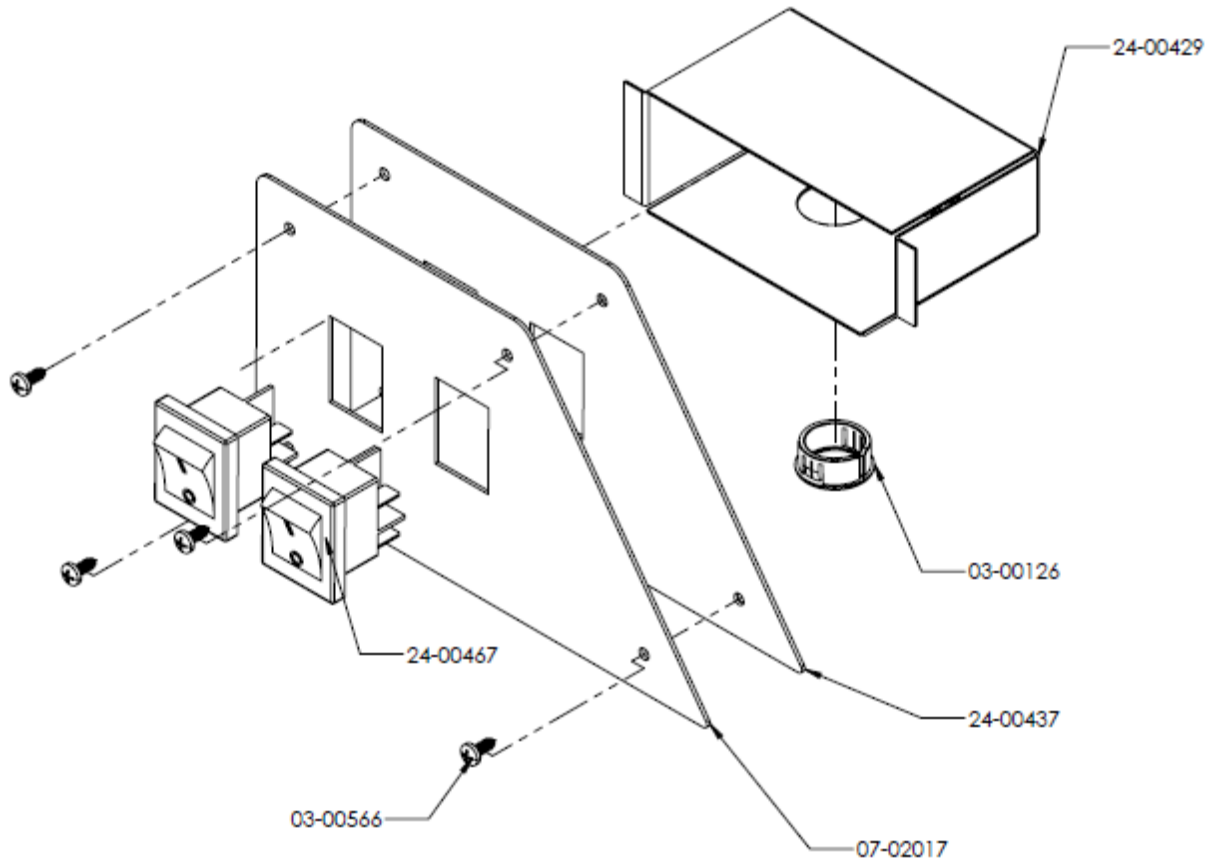
WIRING SCHEMATIC
2 SWITCH



WIRING SCHEMATIC
PORTABLE WITH HEAT®

ASSY – ELECTRICAL BOX 2 SWITCH

115V – 230V

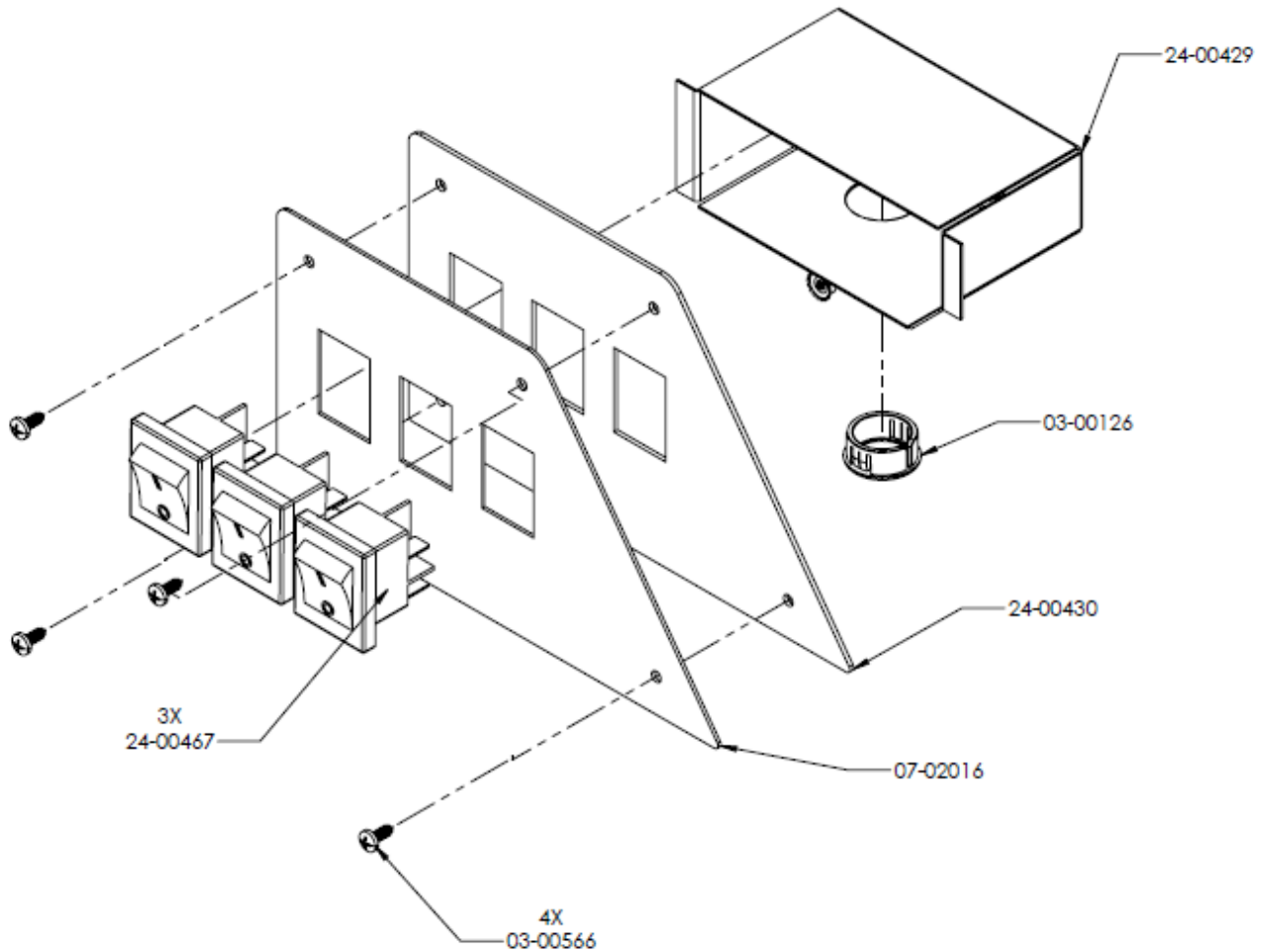


PARTS LIST

PART #	QTY	DESCRIPTION
03-00126	1	BUSHING - .671 ID X .875 X .41 SPLIT NYLON BLK
03-00566	4	SCREW - #6 X 3/8 PHIL PH ZP
07-02017	1	LABEL – PRODUCT SWITCH PLATE 2 HOLE
24-00429	1	ELECTRICAL BOX – SOLUTION TANK PORTABLE EXTRACTOR
24-00437	1	PLATE – SWITCH 2 HOLE
24-00467	2	SWITCH – ROCKER DPST

ASSY – ELECTRICAL BOX 3 SWITCH

115V – 230V

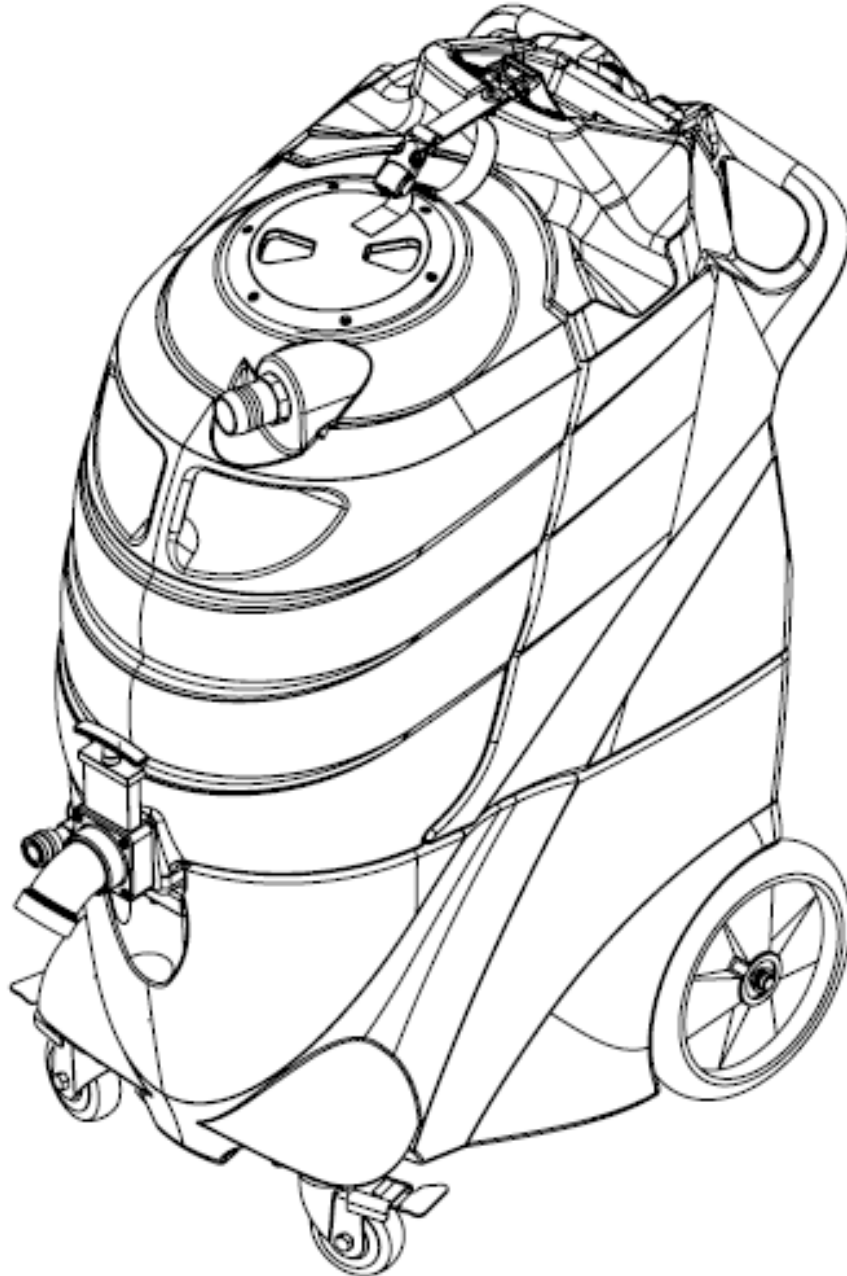


PART#	QTY	DESCRIPTION
03-00126	1	BUSHING - .671 ID X .875 X .41 SPLIT NYLON BLK
03-00566	4	SCREW - #6 X 3/8 PHIL PH ZP
07-02016	1	LABEL – PRODUCT SWITCH PLATE 3 HOLE
24-00429	1	ELECTRICAL BOX – SOLUTION TANK PORTABLE EXTRACTOR
24-00437	1	PLATE – SWITCH 3 HOLE
24-00467	3	SWITCH – ROCKER DPST

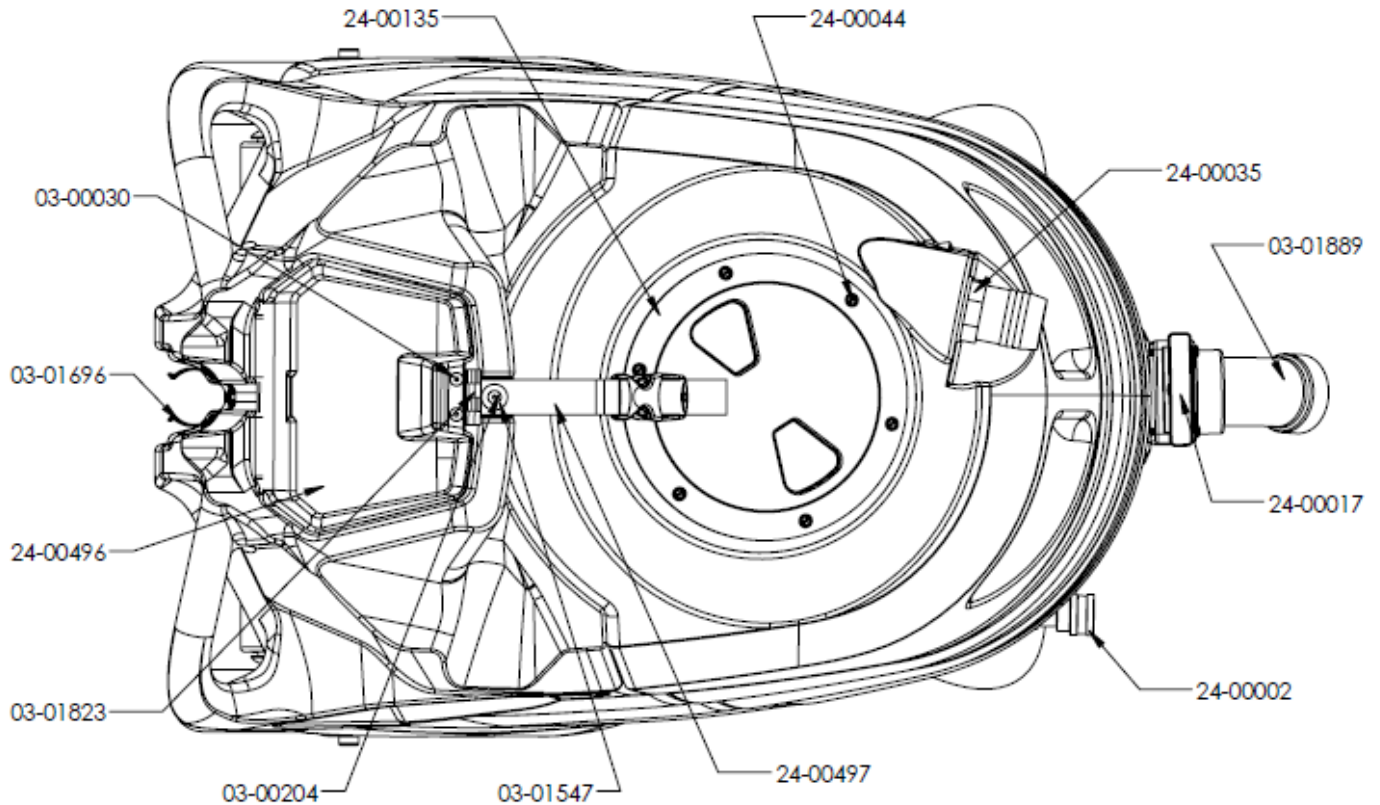
PORTABLE EXTRACTOR 500/500H

(78-003 – 78-004)

115V – 230V

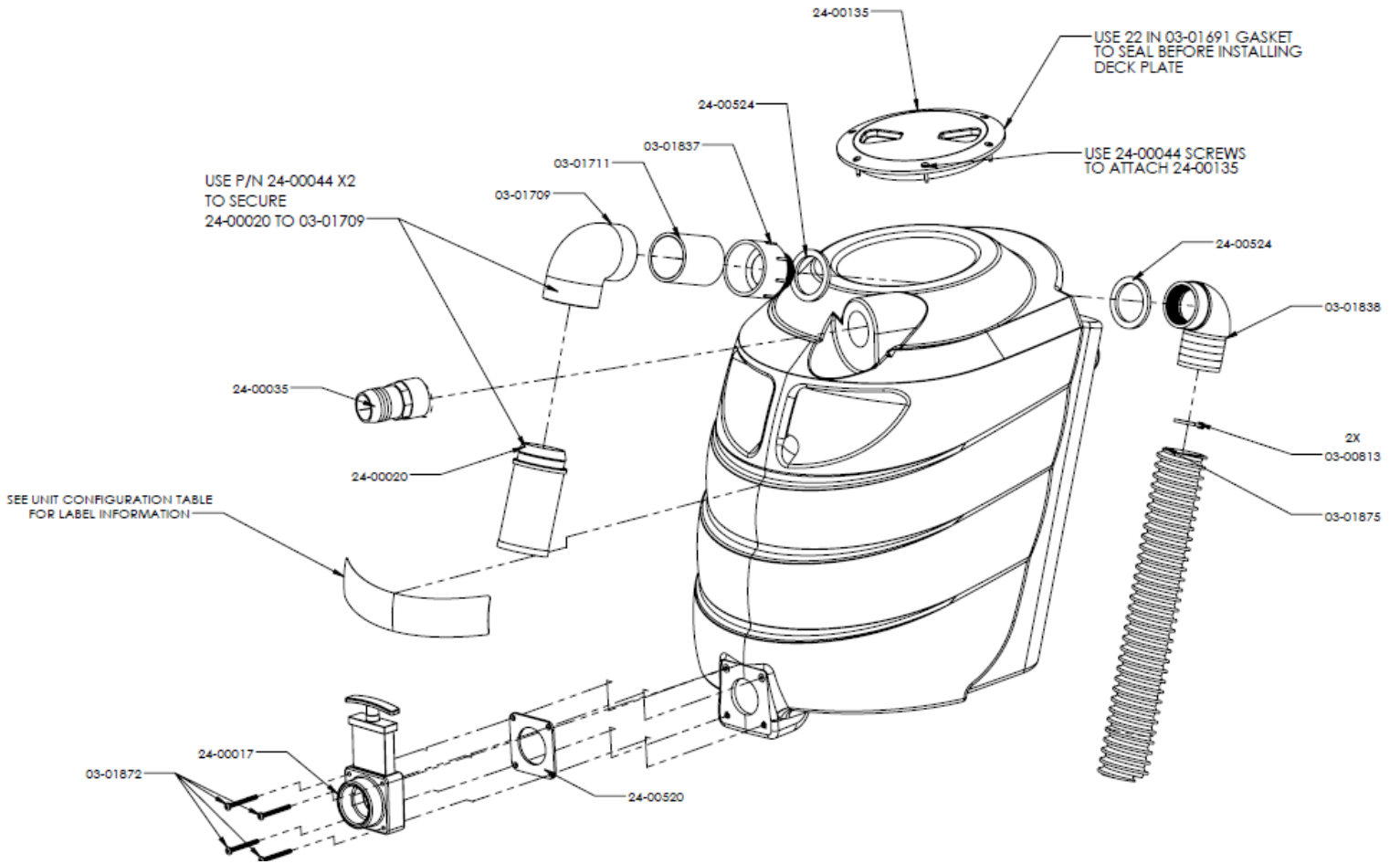


500/500H
TOP VIEW



PART #	QTY	DESCRIPTION
03-00030	4	RIVET – 3/16 X 1/2 AL/AL BLK AND
03-00204	1	RIVET - 3/16 X 5/8 TRI FOLD AL/AL
03-01547	1	WASHER – FLAT .203 ID X .734 OD X .06 THK ZP
03-01696	1	CLIP – GRIP 1.50 DIA SPRING STL BLK VINYL COAT
03-01823	1	HINGE – SURFACE MOUNT 40 X 40MM NYLON BLK
03-01889	1	ELBOW – STREET 45 DEGREE FEMALE X MALE 1.5 ABS DWV BLK
24-00002	1	FTG – ¼ FPT X ¼ FQC BRASS
24-00007	2	WHEEL – 10 X 1.75 X .5 BORE BLK (NOT SHOWN FOR CLARITY)
24-00017	1	DUMP VALVE
24-00035	1	FTG – 1 1/2 " X 1 ½" BARB
24-00044	6	SCREW - #8 X 5/8 PHIL PH ZP
24-00135	1	DECK PLATE – 6" BLK/CLEAR ACCESS LID
24-00496	1	LID – SOLUTION TANK PORTABLES
24-00497	1	STRAP ASSY – 1.00W X 28.00L WITH BUCKLES
24-00552	2	CASTER – 3 1/2 " X 1 1/4 " SOFT RUBBER LOCKING (NOT SHOWN FOR CLARITY)

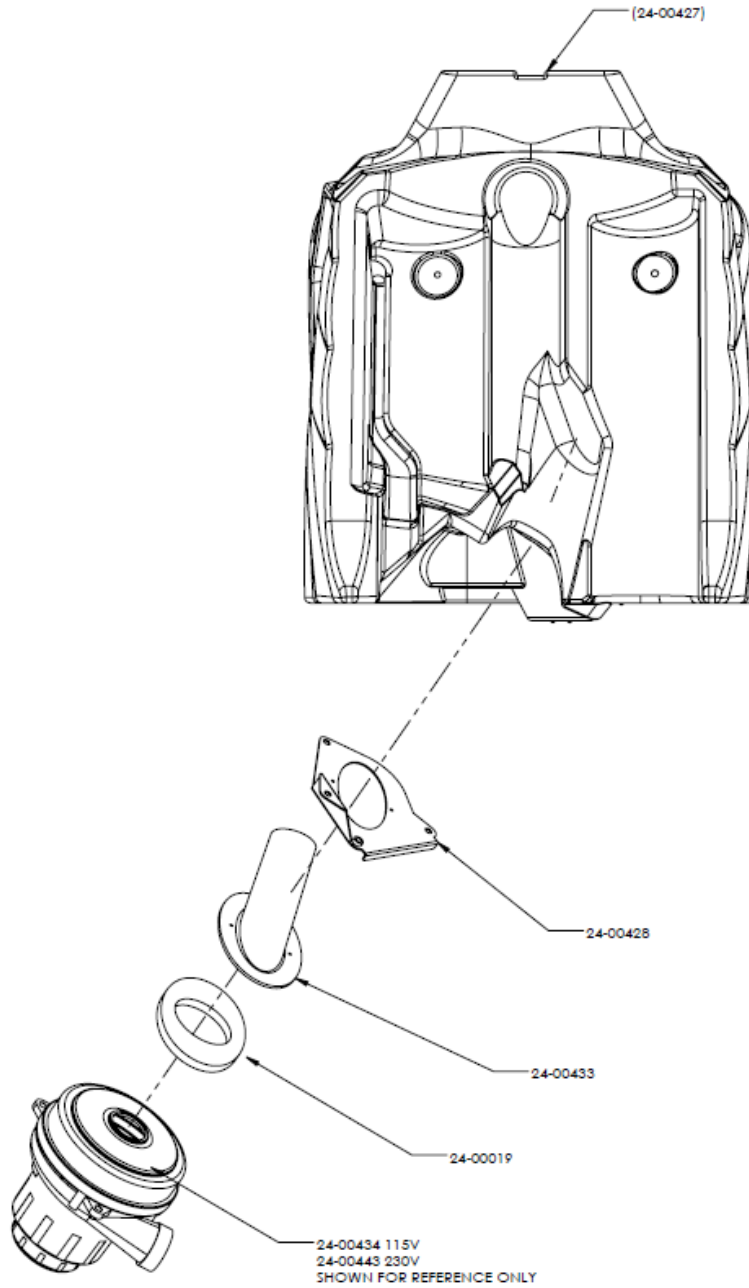
VACUUM TANK ASSEMBLY



VACUUM TANK ASSEMBLY PARTS LIST

PART #	QTY	DESCRIPTION
03-00813	2	CABLE TIE – 11” NYLON
03-01691	1	GASKET – 1/2 X 1/2 PVC PSA
03-01709	1	ELBOW – 90 DEGREE 2 IN DWV PVC WHT
03-01711	1	PIPE – 2 IN PVC DWV WHT
03-01837	1	FITTING – REDUCER 2 IN SLIP X 1.5 NPT
03-01838	1	FITTING - ELBOW 90 DEGREE 1.5 NPT X 2 IN BARB
03-01872	4	SCREW – #10-24 X 1.5 PHP ZP
03-01875	17”	HOSE – 2.0 IN X 50FT VACUUM CRUSHPROOF R4 CLEAR
24-00015	1	VAC TANK - POLYETHYLENE
24-00017	1	DUMP VALVE
24-00020	1	FLOAT – SHUT OFF
24-00035	1	FTG – 1 1/2” MPT X 1 1/2 “ BARB
24-00044	6	SCREW - #8 X 5/8 PHIL PH ZP
24-00135	1	DECK PLATE – 6” BLK/CLEAR ACCESS LID
24-00520	1	GASKET – DUMP VALVE
24-00524	2	GASKET – 1.5 IN NPT X 2.75 IN X .125

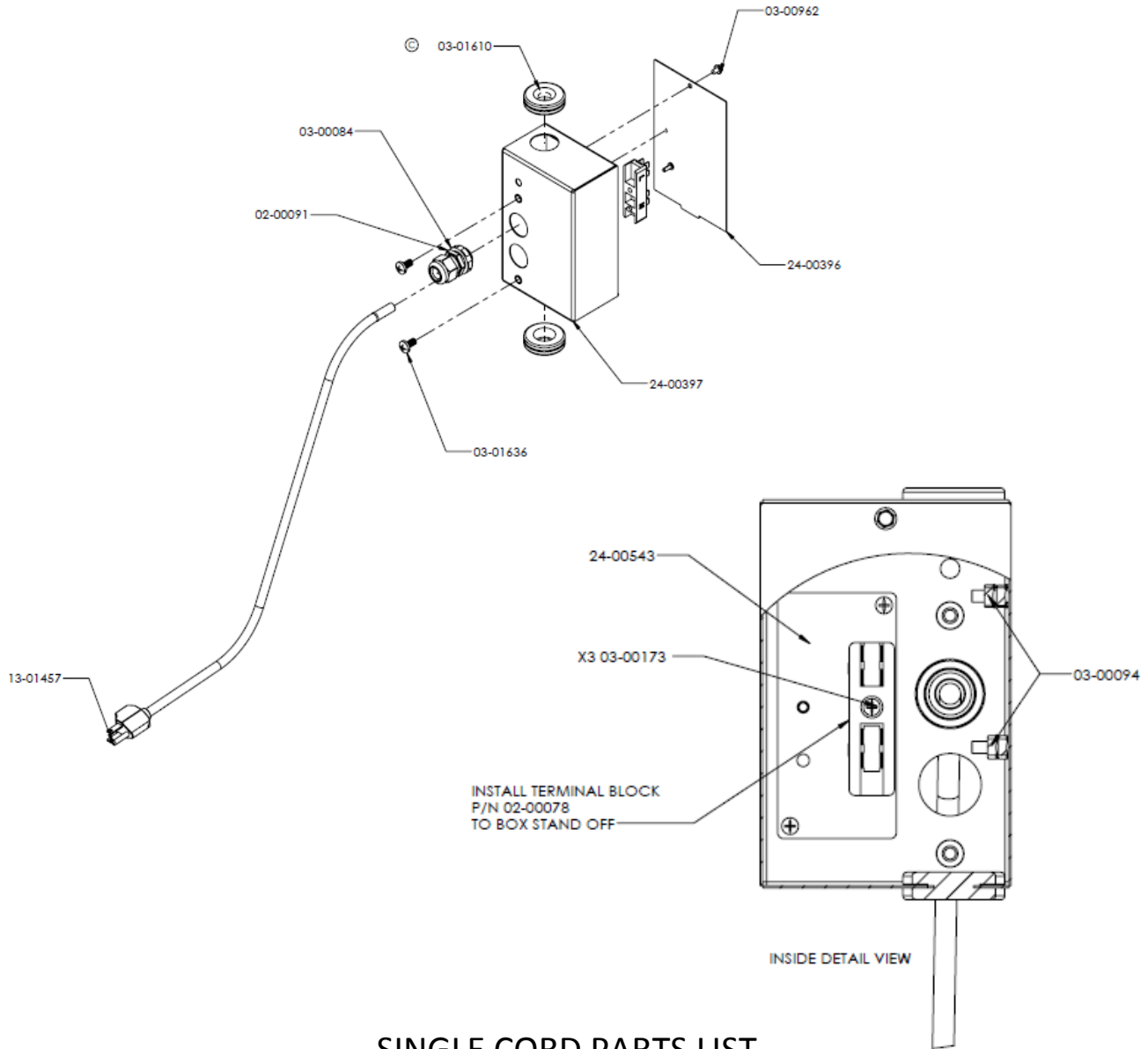
BLOWER AND CONNECTING PARTS



BLOWER AND CONNECTING PARTS LIST

PART #	QTY	DESCRIPTION
24-00019	1	GASKET – FOAM VAC
24-00427	1	TANK – SOLUTION POLYETHYLENE PORTABLE EXTRACTOR 200
24-00428	1	BRACKET – VACUUM ADAPTER PORTABLE EXTRACTOR
24-00433	1	MANIFOLD – VACUUM INLET PORTABLE EXTRACTOR
24-00434	1	BLOWER ASSY – 120V 1600W 1SP 2 STAGE 6.6
24-00443	1	BLOWER ASSY – 230V 1600W 1SP 2 STAGE 6.6

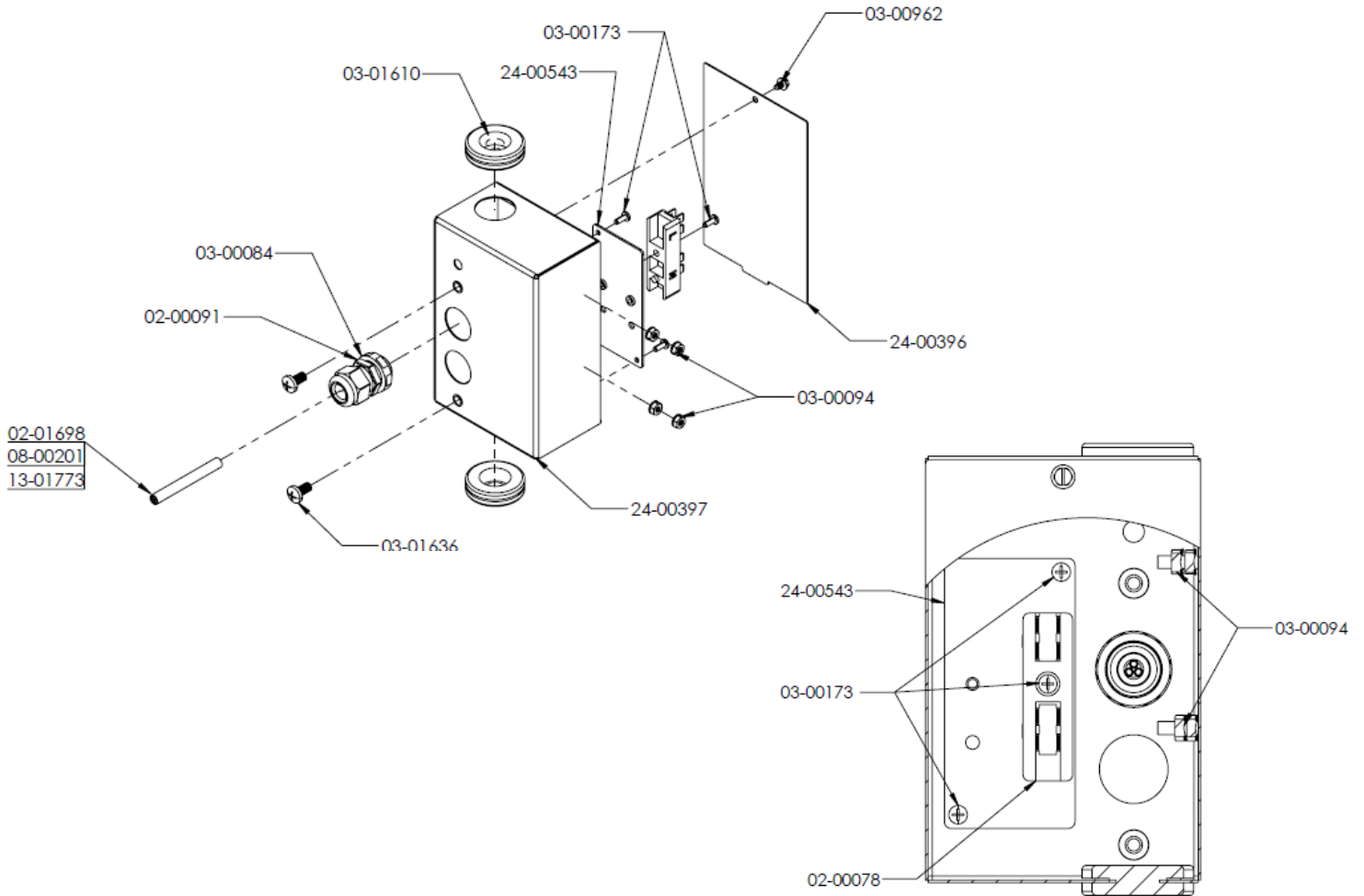
SINGLE CORD (78-003 – 115V)



SINGLE CORD PARTS LIST (115V)

PART #	QTY	DESCRIPTION
02-00078	1	TERMINAL BLOCK – GP 4 X 4 SCREW
02-00091	1	STRAIN RELIEF – LIQUID TIGHT .470 BLK
03-00084	1	NUT – 1/2 NPT NYLON BLK
03-00094	2	NUT - #10-32 W/STAR WASHER ZP
03-00173	1	SCREW - #6-32 X 3/8 PHIL PH ZP
03-00962	1	SCREW - #8-32 X 1/4 TC CLASS 2 HWH ZP
03-01636	2	SCREW – 1/4 -20 X .50 PHP SS
03-01834	2	GROMMET – 1 OD X 1/2 ID X 3/32 PANEL
13-01457	1	POWER CORD ASSY – 14/3 SJTW 5-15 25FT
24-00396	1	FORMING – WIRE BOX COVER PORTABLE
24-00397	1	FORMING – WIRE BOX PORTABLE

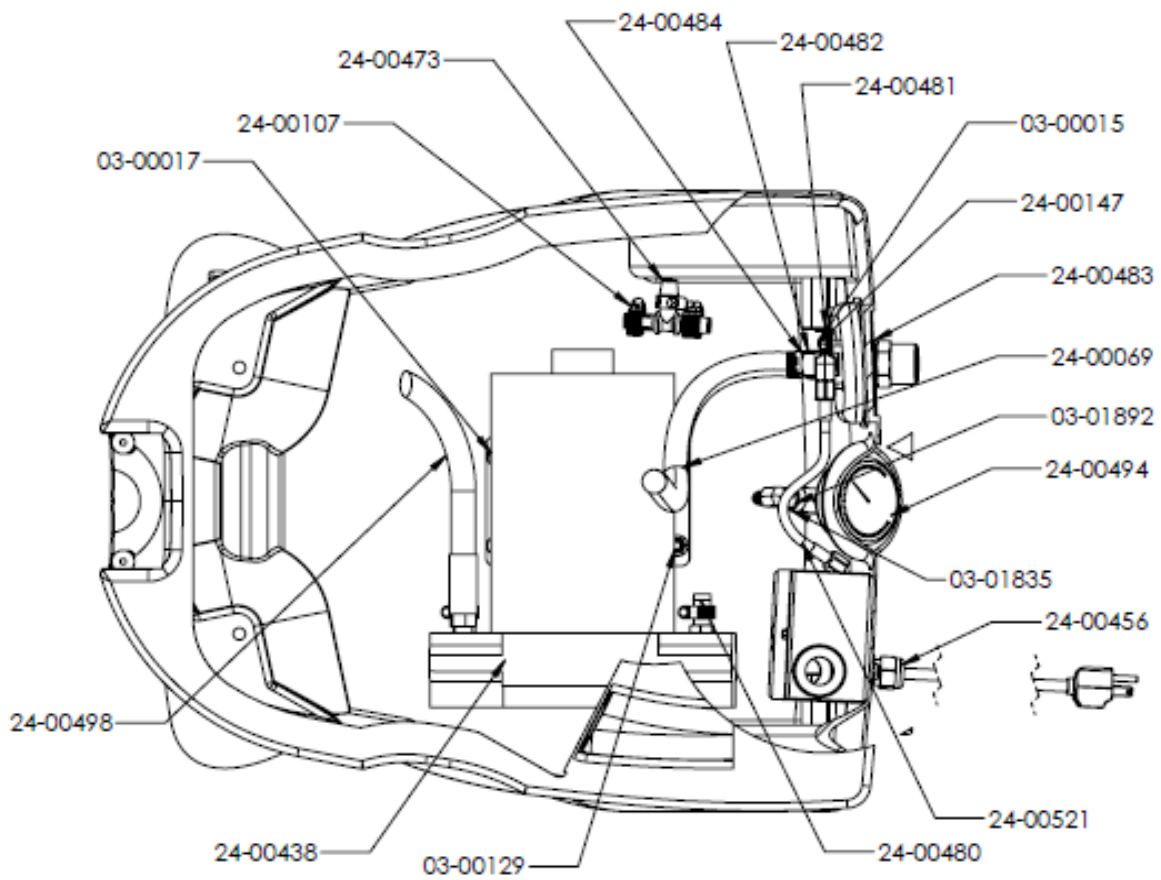
SINGLE CORD 230V (78-003-230V)



SINGLE CORD PARTS LIST (230V)

PART #	QTY	DESCRIPTION
02-00078	1	TERMINAL BLOCK – GP 4 X 4 SCREW
02-00091	1	STRAIN RELIEF – LIQUID TIGHT .470 BLK
02-01698	1	POWER CORD ASSY – 3 X 1.00MM H07RNF AS3112 25FT
03-00084	1	NUT – 1/2 NPT NYLON BLK
03-00094	2	NUT -#10-32 W/STAR WASHER ZP
03-00173	3	SCREW - #6-32 X 3/8 PHIL PH ZP
03-00962	1	SCREW - #8-32 X 1/4 TC CLASS 2 HWH ZP
03-01636	2	SCREW – 1/4-20 X .50 PHP SS
03-01834	2	GROMMET – 1 OD X 1/2 ID X 3/32 PANEL
08-00201	1	POWER CORD ASSEMBLY – 3 X 1.50MM H07RNF BS1363
13-01773	1	POWER CORD ASSY – 3 X 1.00MM H07RNF CEE7/7 25FT
24-00396	1	FORMING – WIRE BOX COVER PORTABLE
24-00397	1	FORMING – WIRE BOX PORTABLE
24-00543	1	PLATE – MOUNTING TERMINAL BLOCK

PUMP
(78-003-115V – 230V)



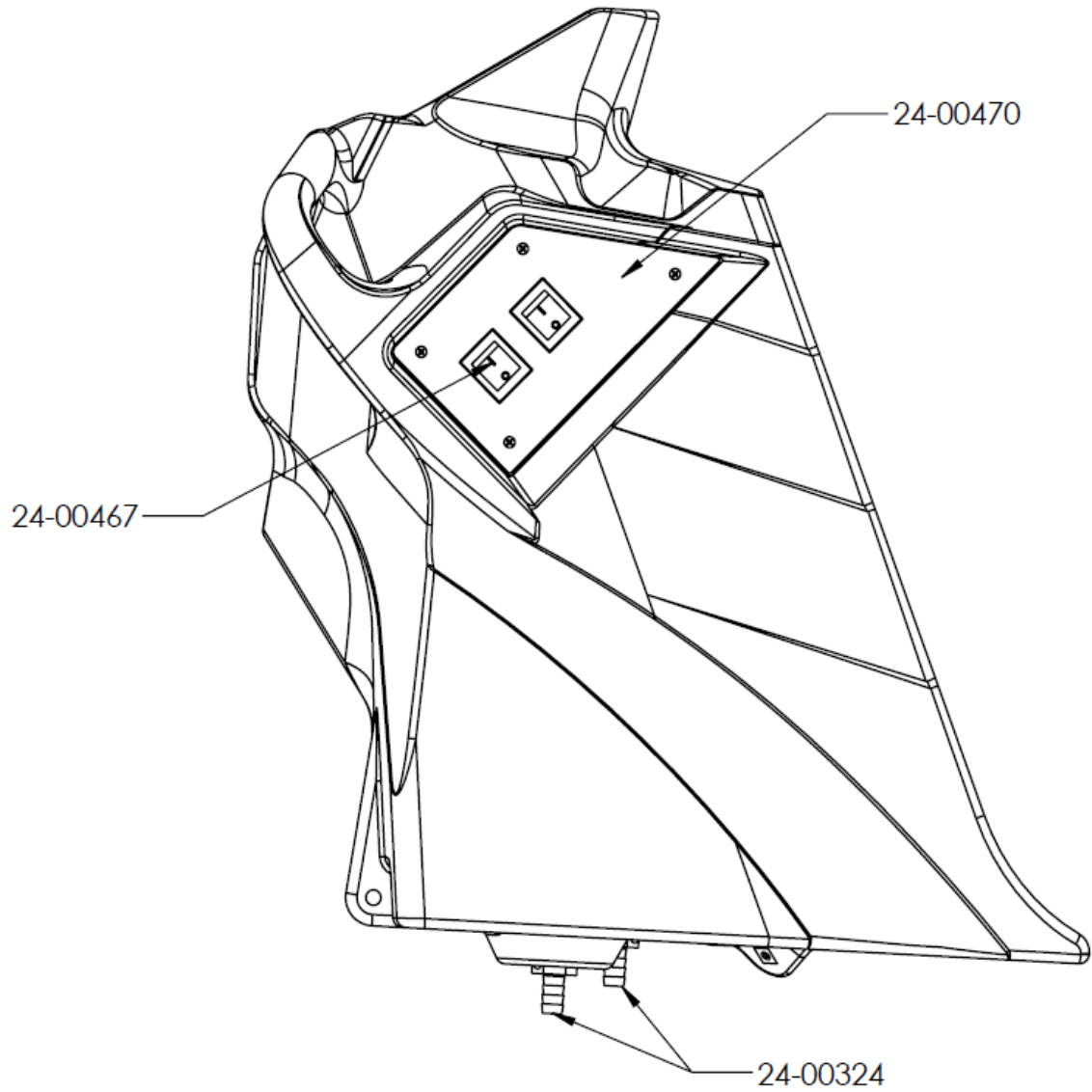
PARTS LIST
(115V – 230V)

PART #	QTY	DESCRIPTION
03-00015	4	NUT - #8-32 NYLOC ZP
03-00017	4	NUT - #8-32 NYLOC ZP
03-00129	4	SCREW – 1/4-20 X 1.00 HWH ZP
03-01835	1	FITTING – 1/4 ELBOW 90 DEG 1/4 FPT X 1/4 FPT
03-01892	2	FITTING – 1/4 MNPT X 04 JIC X ELBOW 90 DEG
24-00069	1	HOSE – 1/2 ID CLEAR 20"
24-00107	10	HOSE – CLAMP .75
24-00147	4	SCREW - #8-32 X .75 PHIL PH ZP
24-00438	1	PUMP ASSY – PRESSURE 500 PSI 115/230V (SEE WIRING DIAGRAM ON UNIT)
24-00456	1	ASSY – BOX ELECTRICAL SINGLE CORD 115V
24-00544	1	ASSY – BOX ELECTRICAL SINGLE CORD 230V (NOT SHOWN FOR CLARITY)
24-00436	1	ASSY – BOX ELECTRICAL DUAL CORD 115V (NOT SHOWN FOR CLARITY)
24-00545	1	ASSY – BOX ELECTRICAL DUAL CORD 230V (NOT SHOWN FOR CLARITY)
24-00473	1	FTG – BARB TEE 1/2 IN ID TUBE
24-00480	2	FITTING – 3/8 MPT X 1/2 BARB BRASS
24-00481	1	BRACKET – PANEL MOUNT 500 PSI REGULATOR BOTTOM
24-00482	1	BRACKET – PANEL MOUNT 500 PSI REGULATOR TOP
24-00483	1	VALVE – REGULATOR 600 PSI
24-00484	1	FITTING – TEE 1/4 MX X 1/4 F X 1/4 F
24-00494	1	PRESSURE GAUGE – 0-1500 PSI
24-00498	1	HOSE – 3/8 MNPT 1/4 MNPT X 60 IN

SOME PARTS SHOWN HERE WILL BE RE-USED

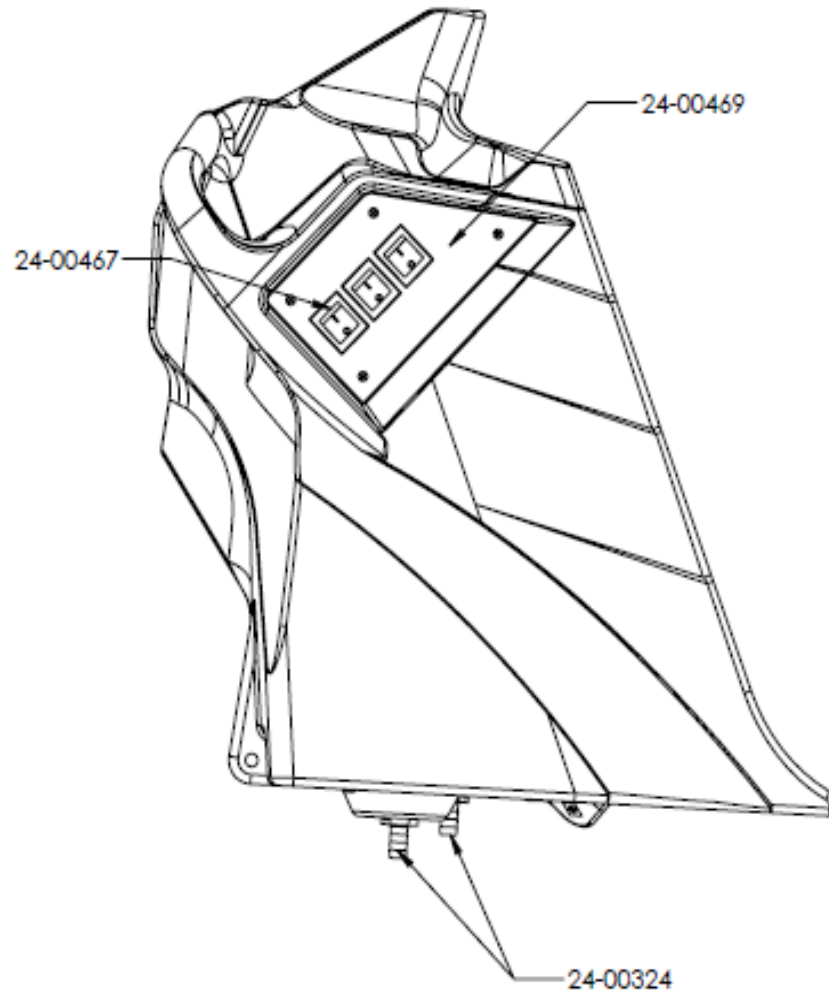
WHEN REPLACING PUMP

SOLUTION TANK PARTS SIDE VIEW 2 SWITCH



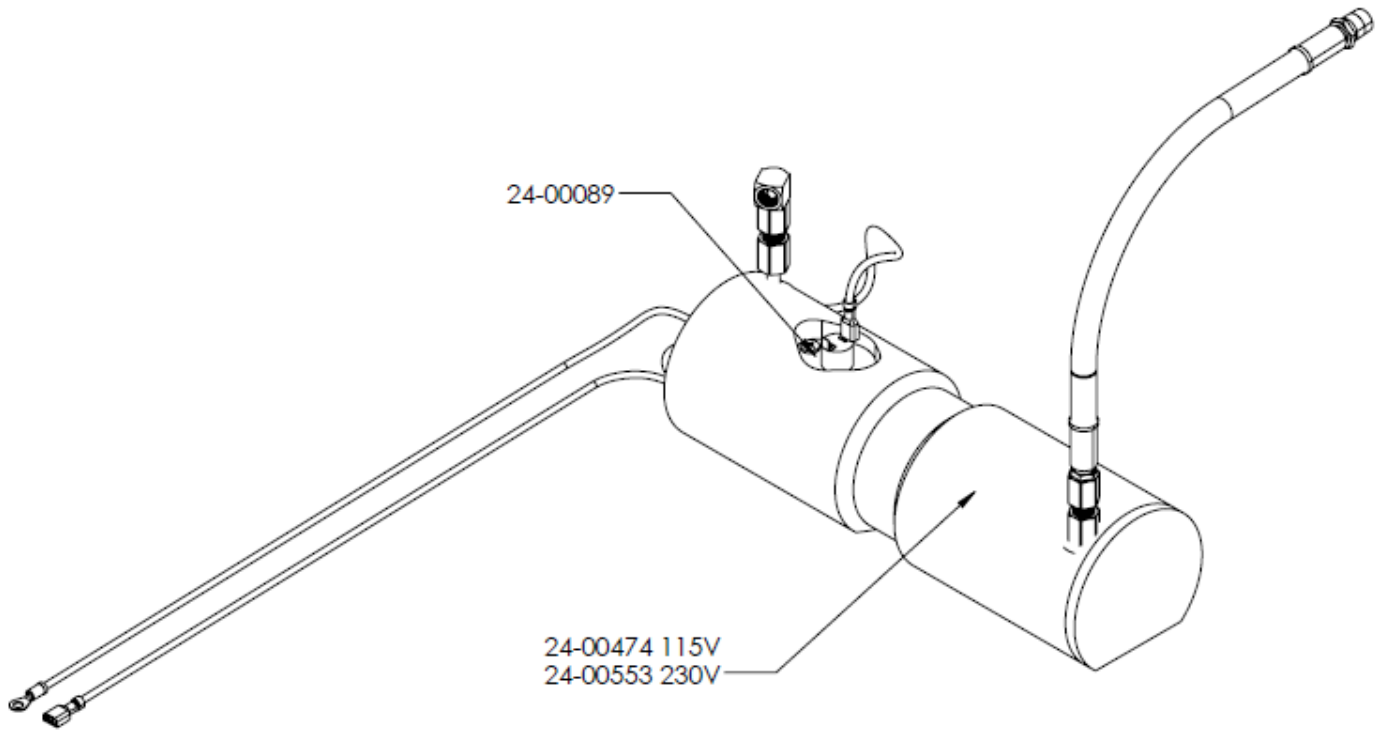
PART #	QTY	DESCRIPTION
24-00324	1	FTG – 1/2 NPT X 1/2 HB NYLON
24-00467	1	SWITCH - ROCKER DPST (SOLD INDIVIDUALLY)
24-00470	1	ASSY – BOX ELECTRICAL 2 SWITCH

SOLUTION TANK PARTS SIDE VIEW 3 SWITCH
(WITH HEAT)



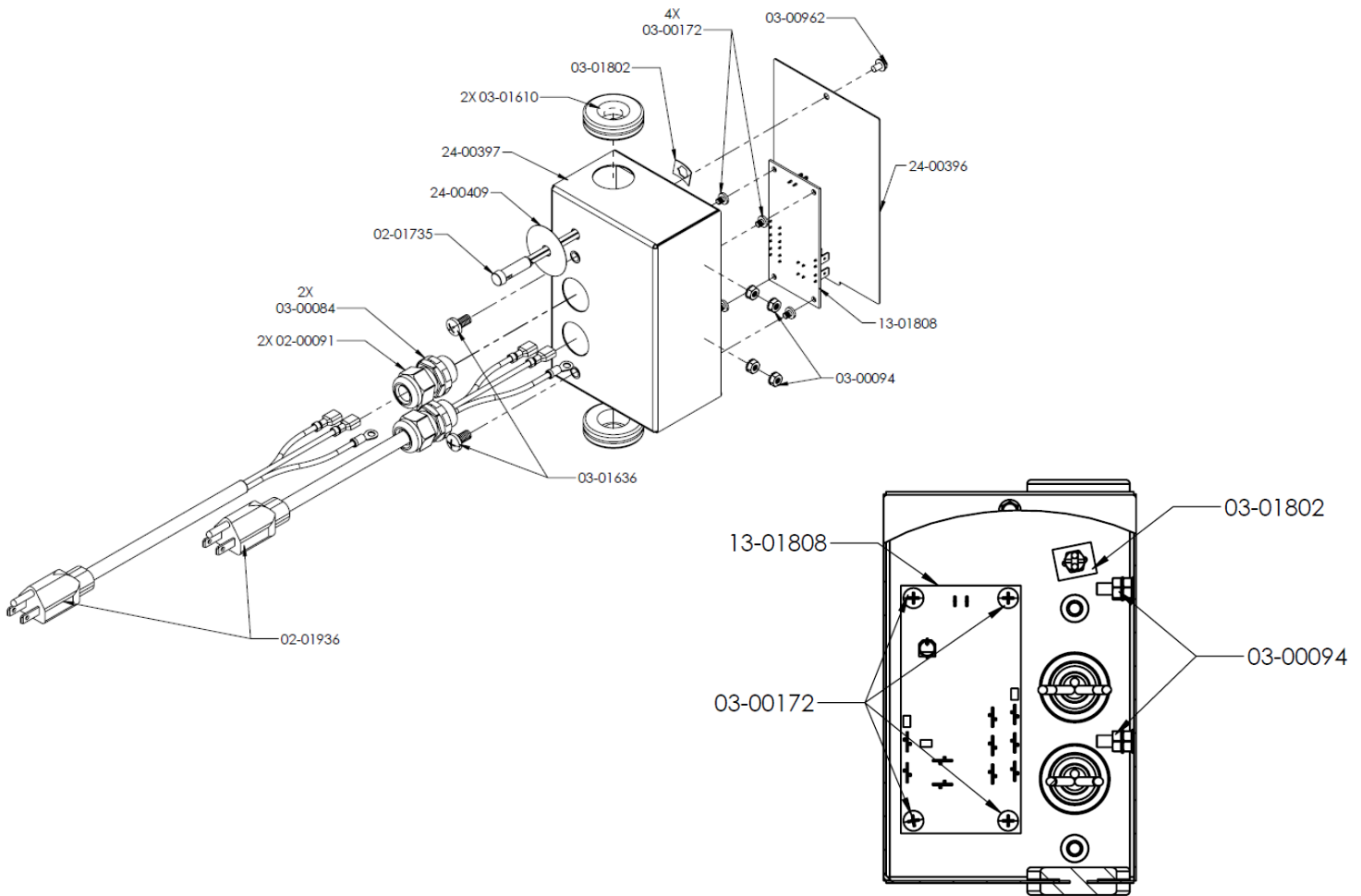
PART #	QTY	DESCRIPTION
24-00324	1	FTG – 1/2 NPT X 1/2 HB NYLON
24-00467	1	SWITCH - ROCKER DPST (SOLD INDIVIDUALLY)
24-00469	1	ASSY – BOX ELECTRICAL 3 SWITCH

HEATER ASSEMBLY
(115V/230V)



PART #	QTY	DESCRIPTION
24-00089	1	SWITCH – 190 DEG THERMOSTAT 115V/230V
24-00474	1	HEATER CARTRIDGE – 1750 WATT 120 VOLT
24-00553	1	ASSY – HEATER 2000 WATT 230V

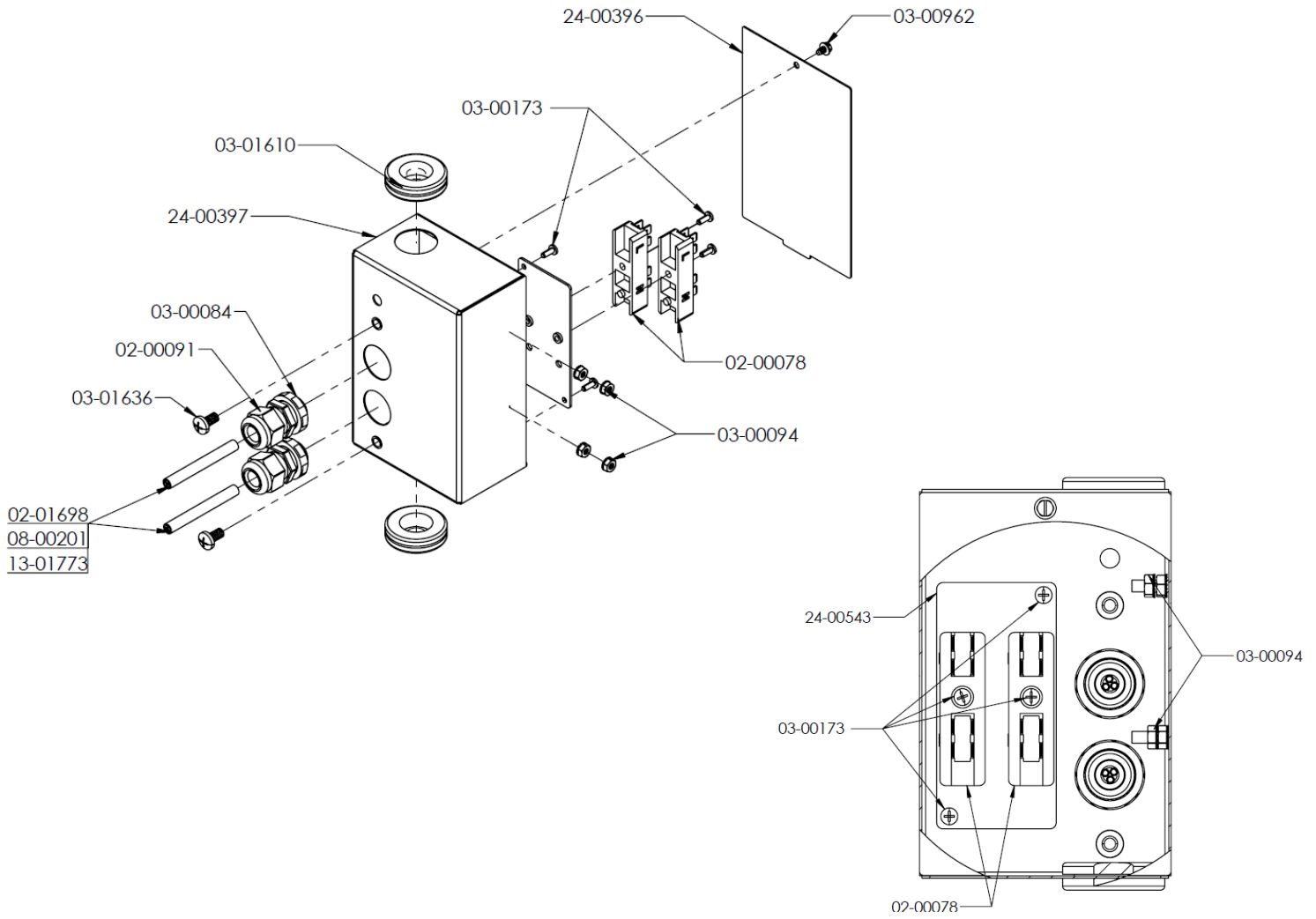
DUAL CORD 115V (78-004-115V)



SINGLE CORD PARTS LIST (115V)

PART #	QTY	DESCRIPTION
02-00091	2	STRAIN RELIEF – LIQUID TIGHT .470 BLK
02-01735	1	LIGHT ASSY – INDICATOR 2V GREEN
02-01936	2	POWER CORD ASSY – 14/3 SJTW NEMA 5-15PH CLEAR/ ROJ 6 IN STRIP 1/4 IN 12 IN
03-00084	2	NUT – 1/2 NPT NYLON BLK
03-00094	4	NUT - #10-32 W/STAR WASHER ZP
03-00172	4	SCREW - #6-32 X 3/16 PHIL PH ZP
03-00962	1	SCREW - #8-32 X 1/4 TC CLASS 2 HWH ZP
03-01610	2	GROMMET - .875 ID X 1.625 OD RUBBER
03-01636	2	SCREW -1/4-20 X .50 PHP SS
03-01802	1	CLIP – TINNEMAN .313 DIA BLK OXIDE
13-01808	1	PCBA – SEPARATE CIRCUIT INDICATOR
24-00396	1	FORMING – WIRE BOX COVER PORTABLE
24-00397	1	FORMING – WIRE BOX PORTABLE
24-00409	1	LABEL – INDICATOR LIGHT SURROUND PORTABLES

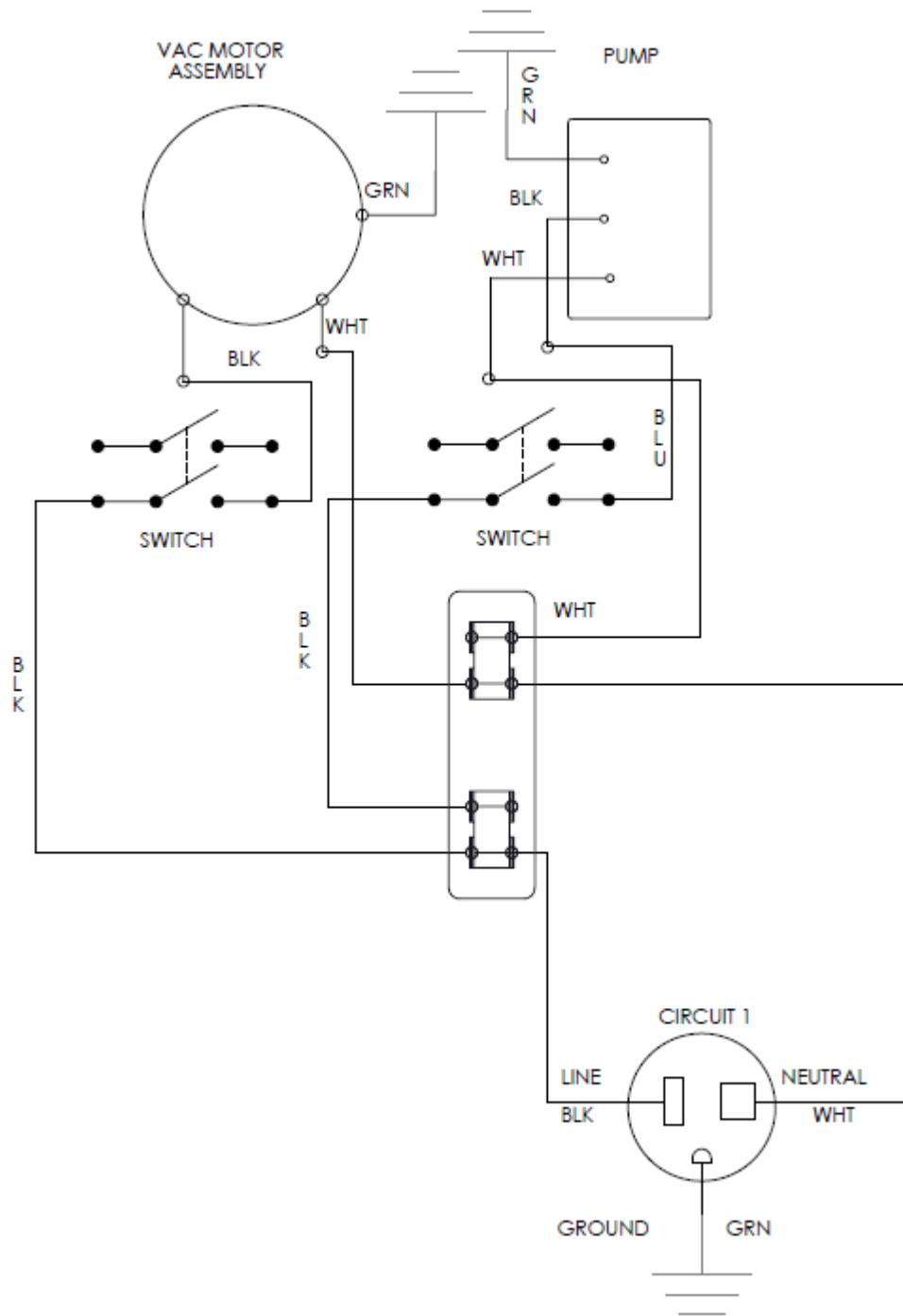
DUAL CORD 230V (78-004-230V)



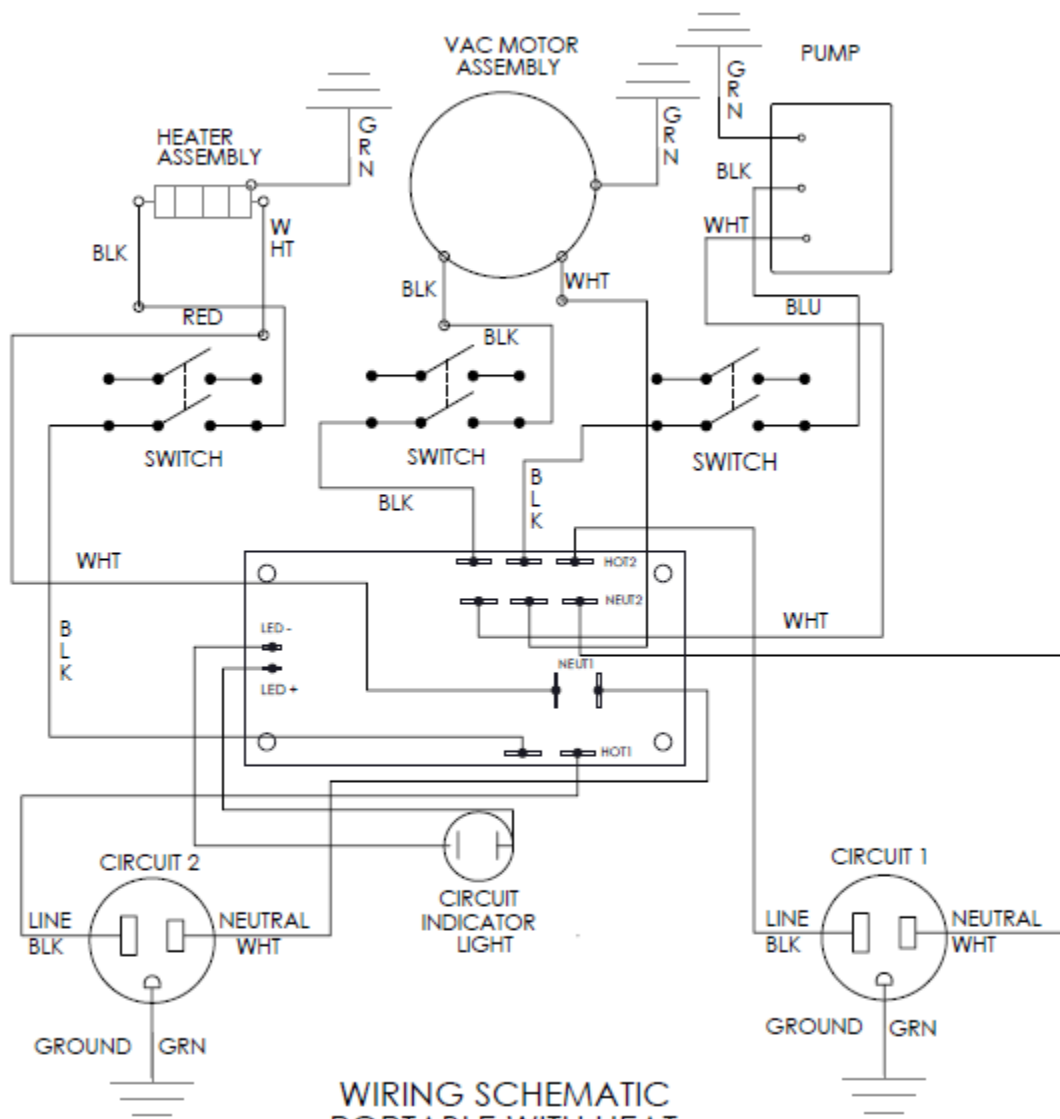
DUAL CORD PARTS LIST (230V)

PART #	QTY	DESCRIPTION
02-00078	2	TERMINAL BLOCK- 4 X 4 SCREW
02-00091	2	STRAIN RELIEF – LIQUID TIGHT .470 BLK
02-01698	1	POWER CARD ASSY – 3 X 1.00MM H07RN AS3112 25FT HEPA 500 230V
03-00084	2	NUT – 1/2 NPT NYLON BLK
03-00094	4	NUT - #10-32 W/STAR WASHER ZP
03-00173	4	SCREW - #6-32 X 3/8 PHIL PH ZP
03-00962	1	SCREW - #8-32 X 1/4 TC CLASS 2 HWH ZP
03-01610	2	GROMMET - .875 ID X 1.625 OD RUBBER
03-01636	2	SCREW – 1/4-20 X .50 PHP SS
08-00201	1	POWER CORD ASSY – 3 X 1.50MM H07RNF BS1363 25FT
13-01773	1	POWER CORD ASSY – 3 X 1.00MM H07RNF CEE7/7 25FT HEPA 500 230V
24-00396	1	FORMING – WIRE BOX COVER PORTABLE
24-00397	1	FORMING – WIRE BOX PORTABLE
24-00543	1	PLATE – MOUNTING TERMINAL BLOCK

WIRING SCHEMATIC 2 SWITCH



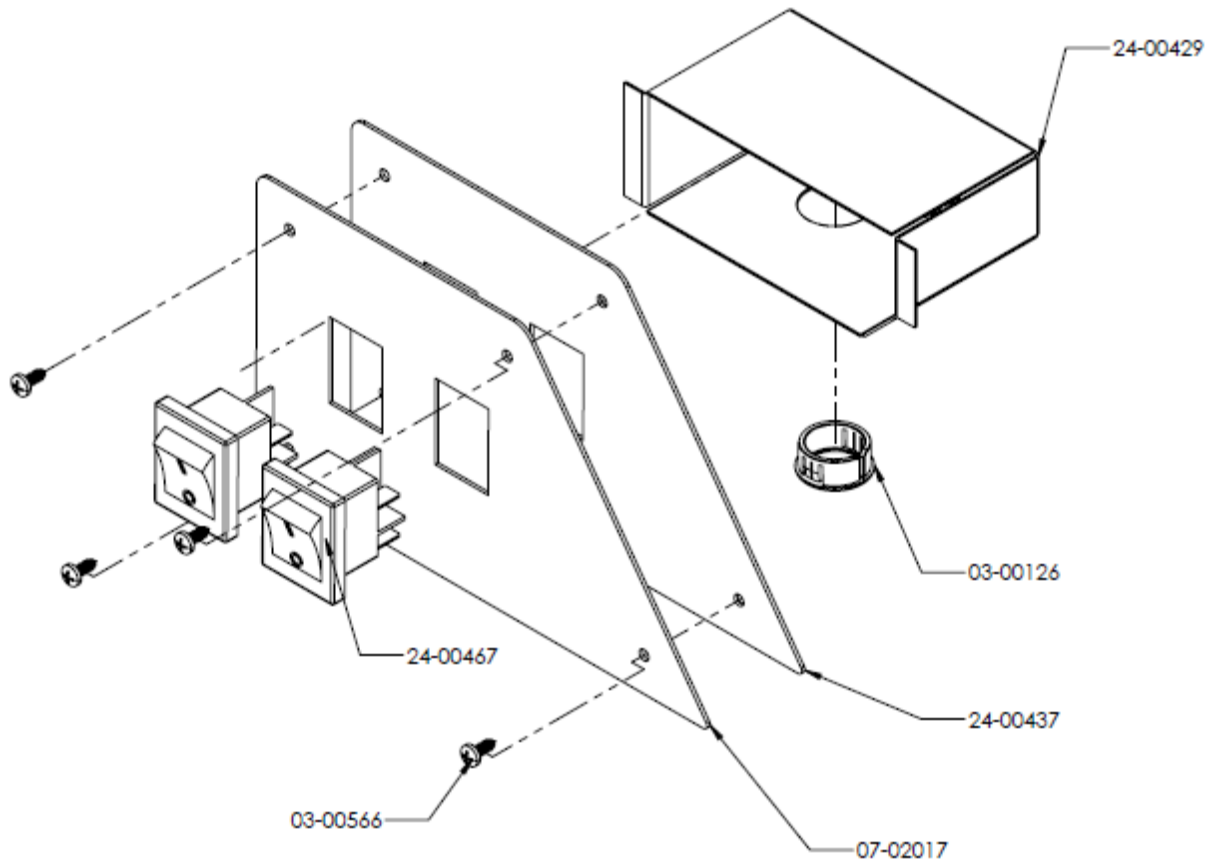
WIRING SCHEMATIC 3 SWITCH



WIRING SCHEMATIC
PORTABLE WITH HEAT

ASSY – ELECTRICAL BOX 2 SWITCH

115V – 230V

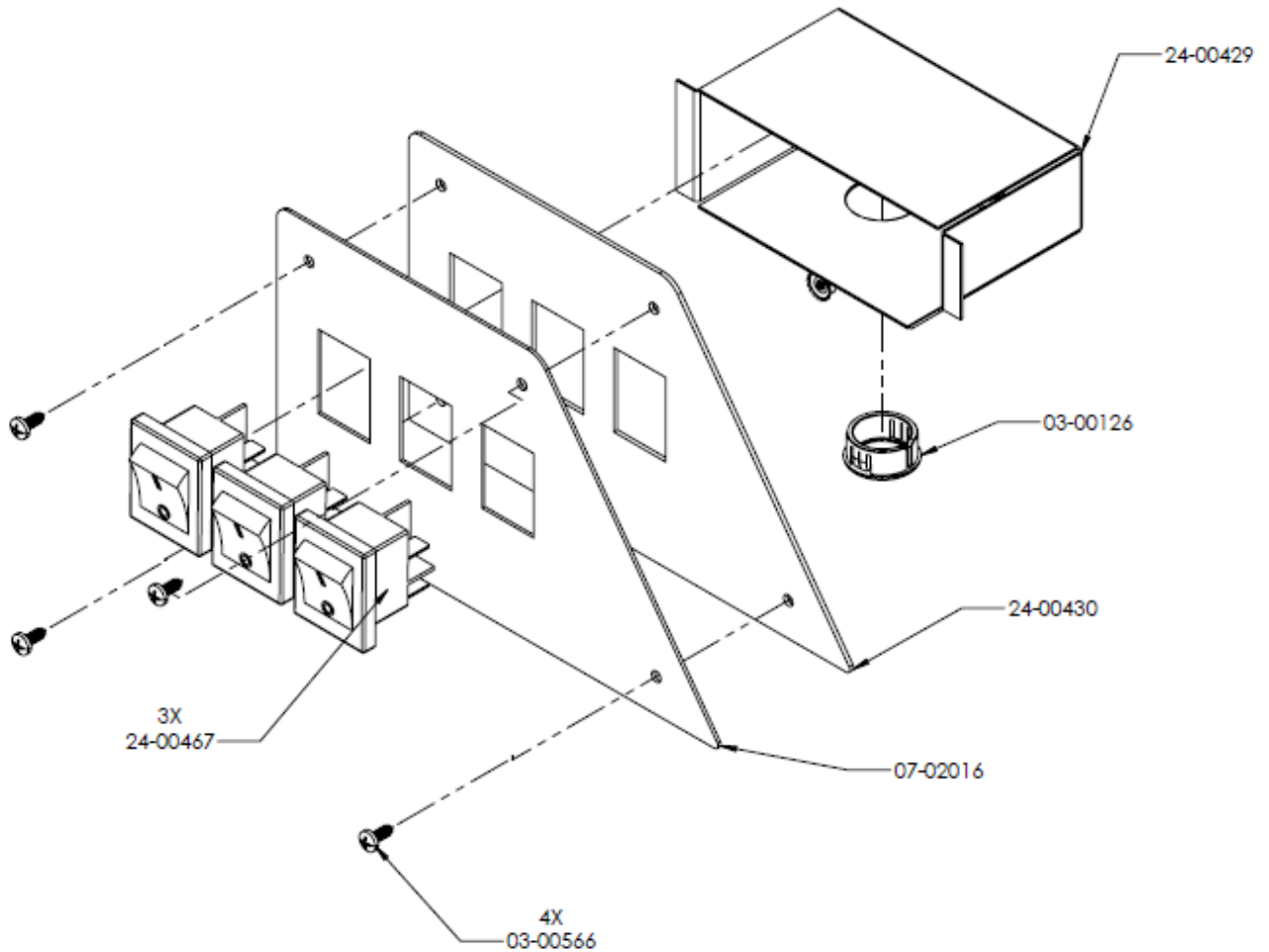


PARTS LIST

PART #	QTY	DESCRIPTION
03-00126	1	BUSHING - .671 ID X .875 X .41 SPLIT NYLON BLK
03-00566	4	SCREW - #6 X 3/8 PHIL PH ZP
07-02017	1	LABEL – PRODUCT SWITCH PLATE 2 HOLE
24-00429	1	ELECTRICAL BOX – SOLUTION TANK PORTABLE EXTRACTOR
24-00437	1	PLATE – SWITCH 2 HOLE
24-00467	2	SWITCH – ROCKER DPST

ASSY – ELECTRICAL BOX 3 SWITCH

115V – 230V

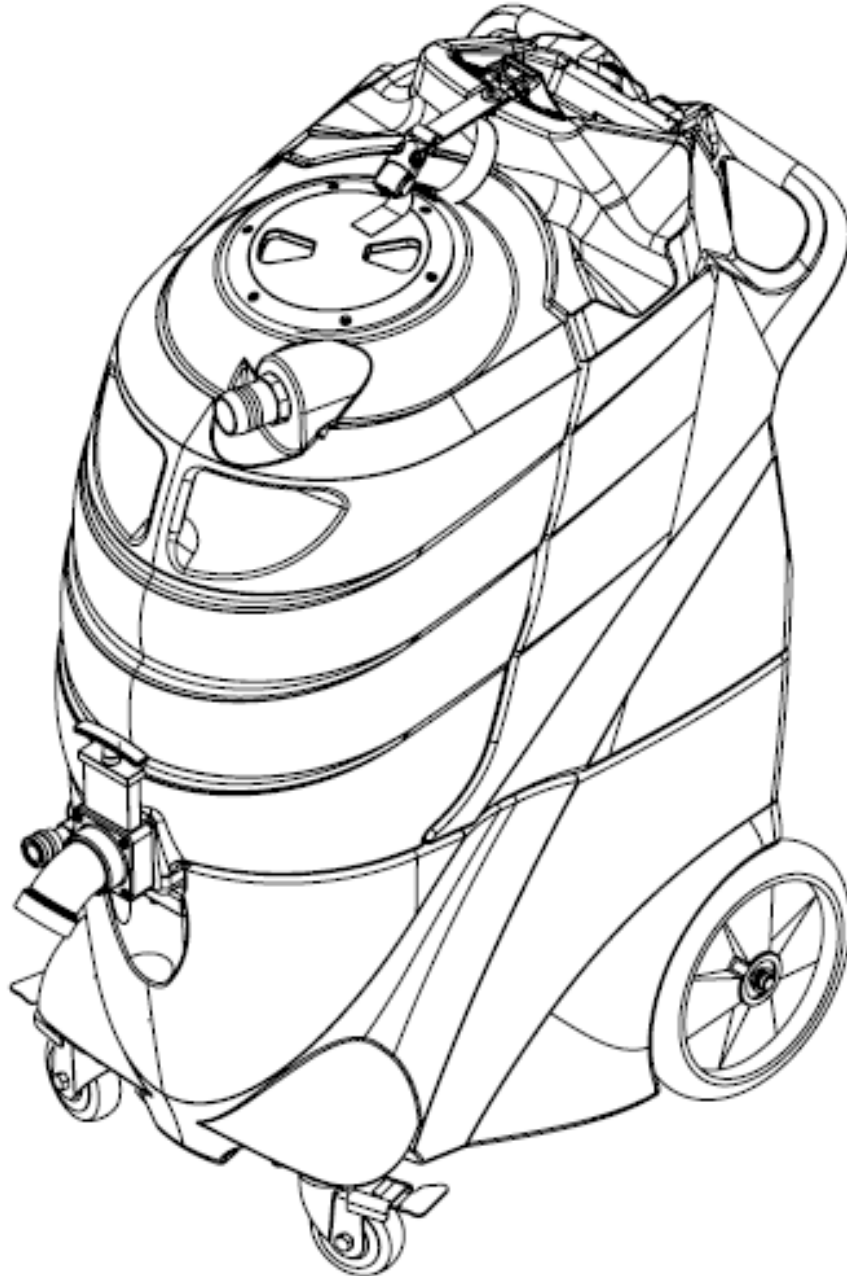


PART#	QTY	DESCRIPTION
03-00126	1	BUSHING - .671 ID X .875 X .41 SPLIT NYLON BLK
03-00566	4	SCREW - #6 X 3/8 PHIL PH ZP
07-02016	1	LABEL – PRODUCT SWITCH PLATE 3 HOLE
24-00429	1	ELECTRICAL BOX – SOLUTION TANK PORTABLE EXTRACTOR
24-00437	1	PLATE – SWITCH 3 HOLE
24-00467	3	SWITCH – ROCKER DPST

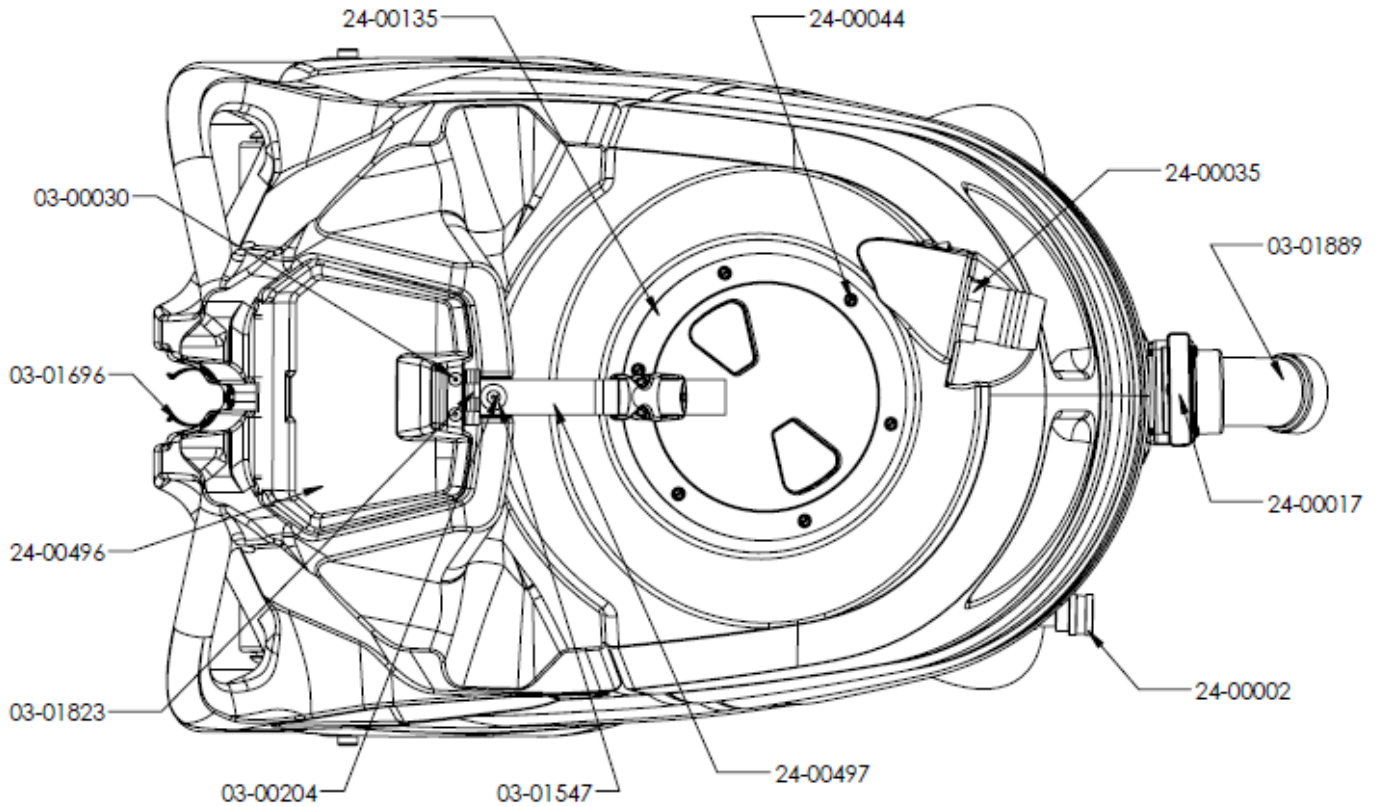
PORTABLE EXTRACTOR 1200

(78-005)

115V – 230V

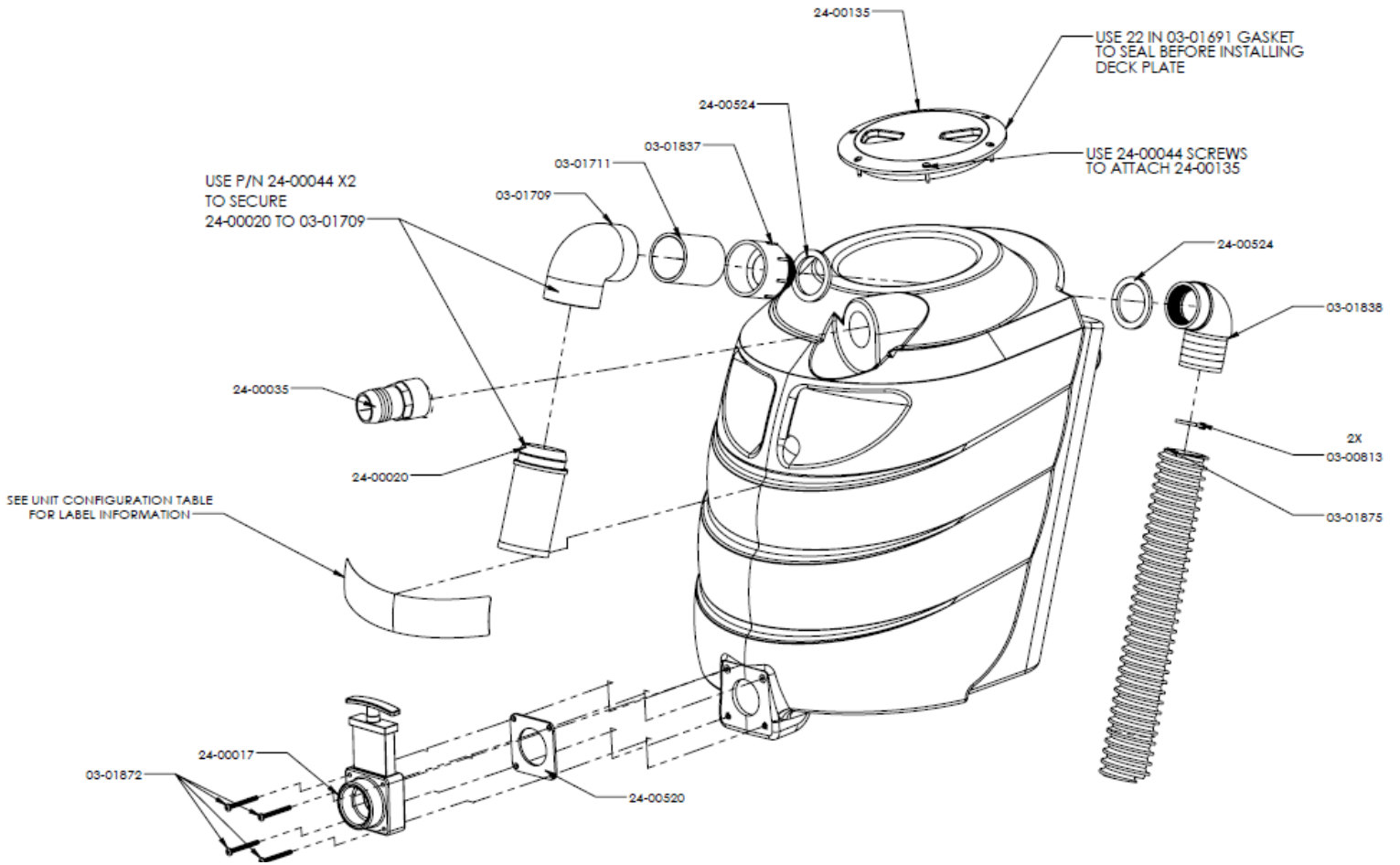


1200
TOP VIEW



PART #	QTY	DESCRIPTION
03-00030	4	RIVET – 3/16 X 1/2 AL/AL BLK AND
03-00204	1	RIVET - 3/16 X 5/8 TRI FOLD AL/AL
03-01547	1	WASHER – FLAT .203 ID X .734 OD X .06 THK ZP
03-01696	1	CLIP – GRIP 1.50 DIA SPRING STL BLK VINYL COAT
03-01823	1	HINGE – SURFACE MOUNT 40 X 40MM NYLON BLK
03-01889	1	ELBOW – STREET 45 DEGREE FEMALE X MALE 1.5 ABS DWV BLK
24-00002	1	FTG – ¼ FPT X ¼ FQC BRASS
24-00007	2	WHEEL – 10 X 1.75 X .5 BORE BLK (NOT SHOWN FOR CLARITY)
24-00017	1	DUMP VALVE
24-00035	1	FTG – 1 1/2 " X 1 ½" BARB
24-00044	6	SCREW - #8 X 5/8 PHIL PH ZP
24-00135	1	DECK PLATE – 6" BLK/CLEAR ACCESS LID
24-00496	1	LID – SOLUTION TANK PORTABLES
24-00497	1	STRAP ASSY – 1.00W X 28.00L WITH BUCKLES
24-00552	2	CASTER – 3 1/2 " X 1 1/4 " SOFT RUBBER LOCKING (NOT SHOWN FOR CLARITY)

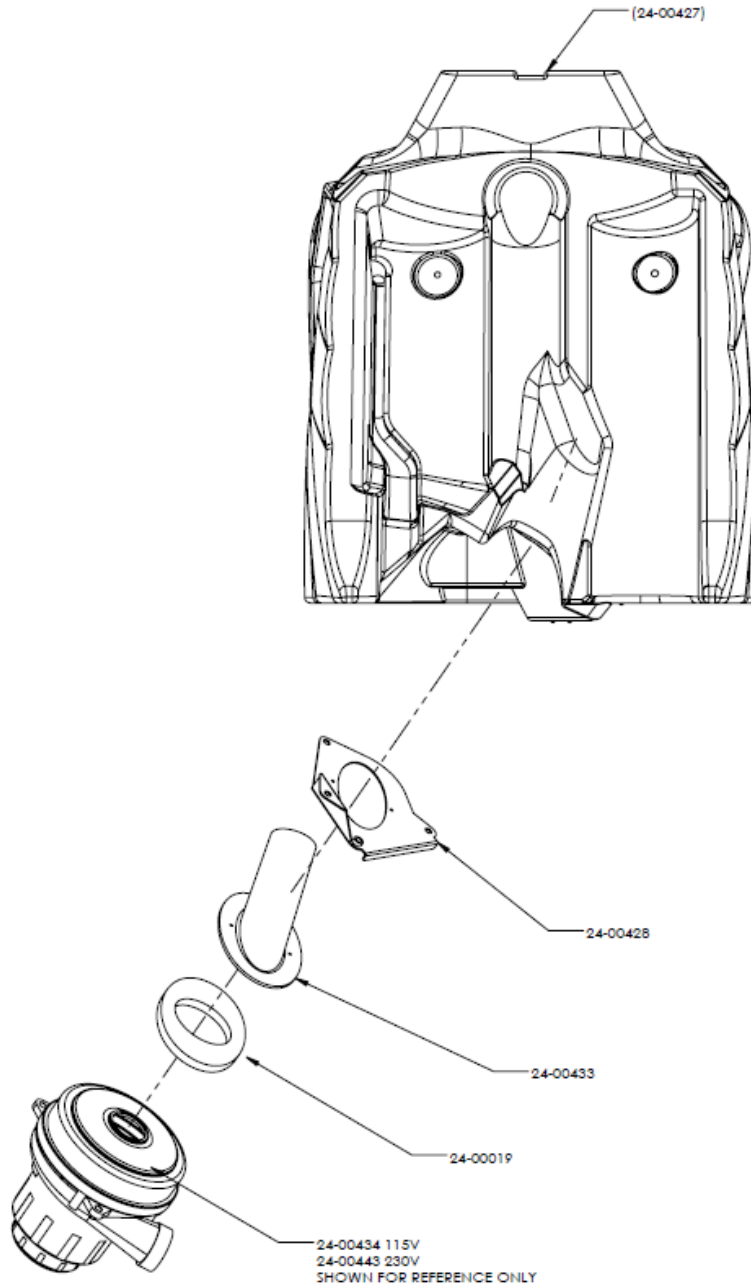
VACUUM TANK ASSEMBLY



VACUUM TANK ASSEMBLY PARTS LIST

PART #	QTY	DESCRIPTION
03-00813	2	CABLE TIE – 11" NYLON
03-01691	1	GASKET – 1/2 X 1/2 PVC PSA
03-01709	1	ELBOW – 90 DEGREE 2 IN DWV PVC WHT
03-01711	1	PIPE – 2 IN PVC DWV WHT
03-01837	1	FITTING – REDUCER 2 IN SLIP X 1.5 NPT
03-01838	1	FITTING - ELBOW 90 DEGREE 1.5 NPT X 2 IN BARB
03-01872	4	SCREW – #10-24 X 1.5 PHP ZP
03-01875	17"	HOSE – 2.0 IN X 50FT VACUUM CRUSHPROOF R4 CLEAR
24-00017	1	DUMP VALVE
24-00020	1	FLOAT – SHUT OFF
24-00035	1	FTG – 1 1/2" MPT X 1 1/2 " BARB
24-00044	6	SCREW - #8 X 5/8 PHIL PH ZP
24-00135	1	DECK PLATE – 6" BLK/CLEAR ACCESS LID
24-00281	1	VAC TANK – PUMP OUT 1200
24-00520	1	GASKET – DUMP VALVE
24-00524	2	GASKET – 1.5 IN NPT X 2.75 IN X .125

BLOWER AND CONNECTING PARTS

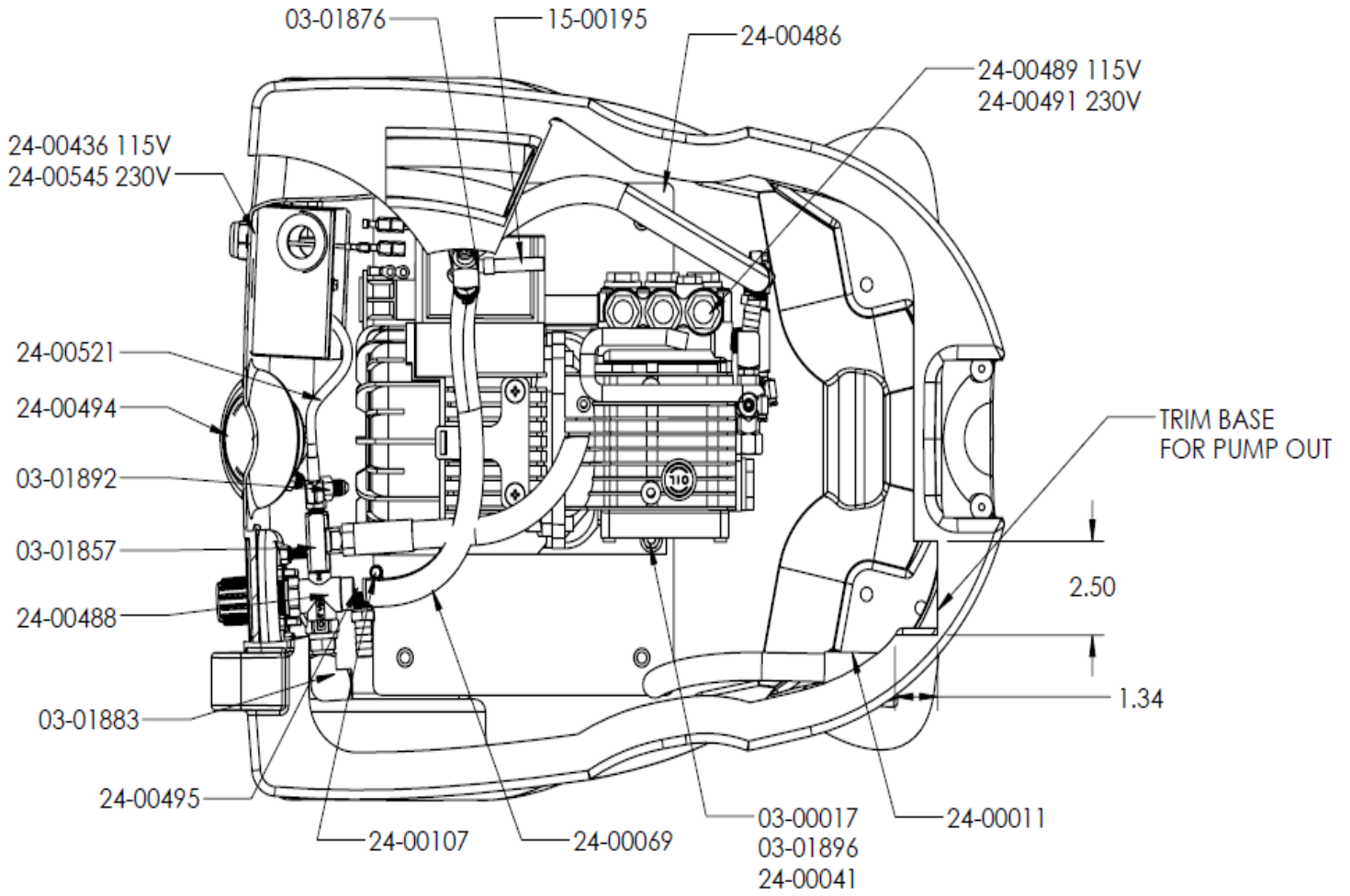


BLOWER AND CONNECTING PARTS LIST

PART #	QTY	DESCRIPTION
24-00019	1	GASKET – FOAM VAC
24-00427	1	TANK – SOLUTION POLYETHYLENE PORTABLE EXTRACTOR 200
24-00428	1	BRACKET – VACUUM ADAPTER PORTABLE EXTRACTOR
24-00433	1	MANIFOLD – VACUUM INLET PORTABLE EXTRACTOR
24-00434	1	BLOWER ASSY – 120V 1600W 1SP 2 STAGE 6.6
24-00443	1	BLOWER ASSY – 230V 1600W 1SP 2 STAGE 6.6

PUMP

(78-003-115V – 230V)



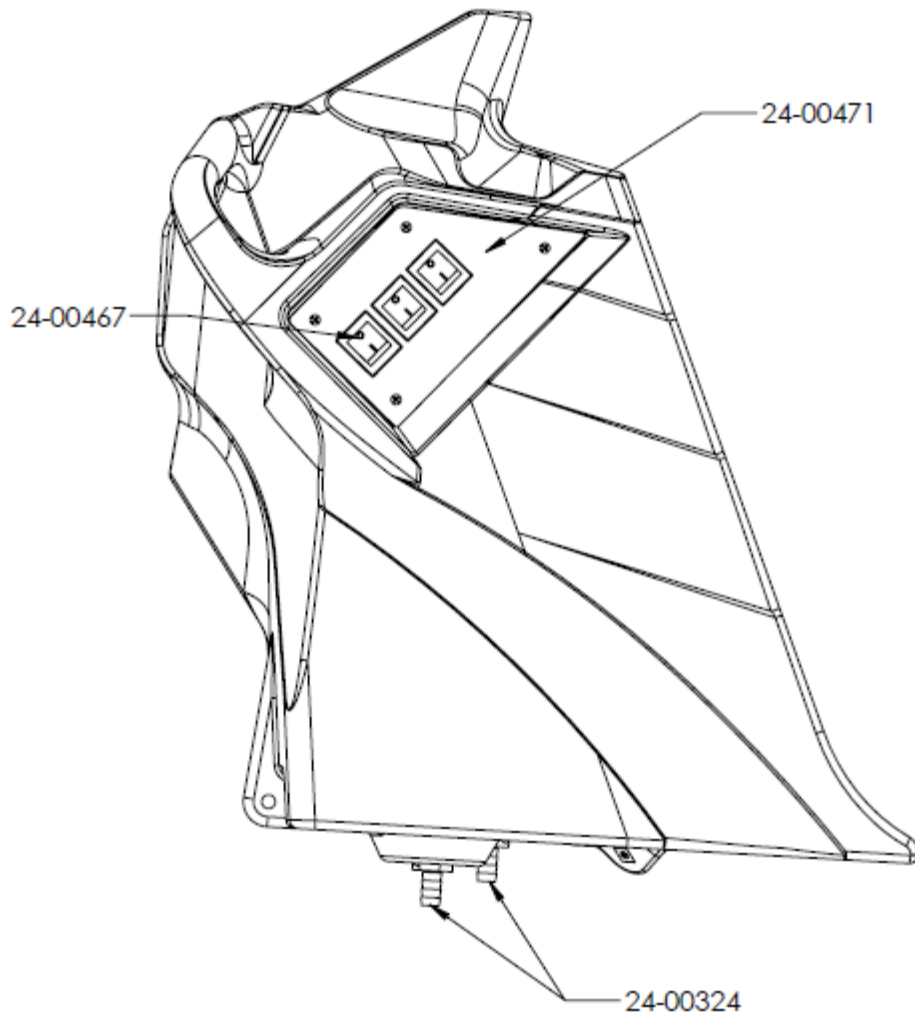
PARTS LIST
(115V – 230V)

PART #	QTY	DESCRIPTION
03-00017	4	NUT – 1/4 -20 NYLOC ZP
03-01857	1	TEE – 1/4 IN BRASS
03-01876	1	FITTING – TEE PLASTIC 1/4 BARB X 1/2 BARB X 1/2 BARB
03-01883	1	FITTING – ELBOW 3/8 FPT X 3/8 FPT
03-01892	2	FITTING – 1/4 MNPT X 04 JIC X ELBOW 90 DEG
03-01896	4	SCREW – 1/4 -20 X .75 FHP SS
15-00195	22 IN	TUBE – 1/4 ID X 3/8 OD X 20FT VINYL
24-00011	2	HOSE – PULSE 1/4 MNPT X 3/8 MNPT X 17 IN
24-00041	4	WASHER – 1/4 SAE FLAT ZP
24-00069	1	HOSE – 1/2 ID CLEAR 26"
24-00107	15	HOSE – CLAMP .75
24-00436	1	ASSY – BOX ELECTRICAL DUAL CORD 115V
24-00486	1	PLATE – REINFORCING 1200 PSI PUMP
24-00488	1	UNLOADER – VB3 W/KNOB
24-00489	1	PUMP – WATER GP 115V
24-00491	1	PUMP – WATER GP 230V
24-00494	1	PRESSURE GAUGE – 0-1500 PSI
24-00495	2	FITTING – 3/8 MPT X 1/2 BARB BRASS
24-00521	1	HOSE – 3/16 ID X 04 FJIC X 12.0L W/SS & CVR
24-00545	2	ASSY – BOX ELECTRICAL DUAL CORD 230V

SOME PARTS SHOWN HERE WILL BE RE-USED

WHEN REPLACING PUMP

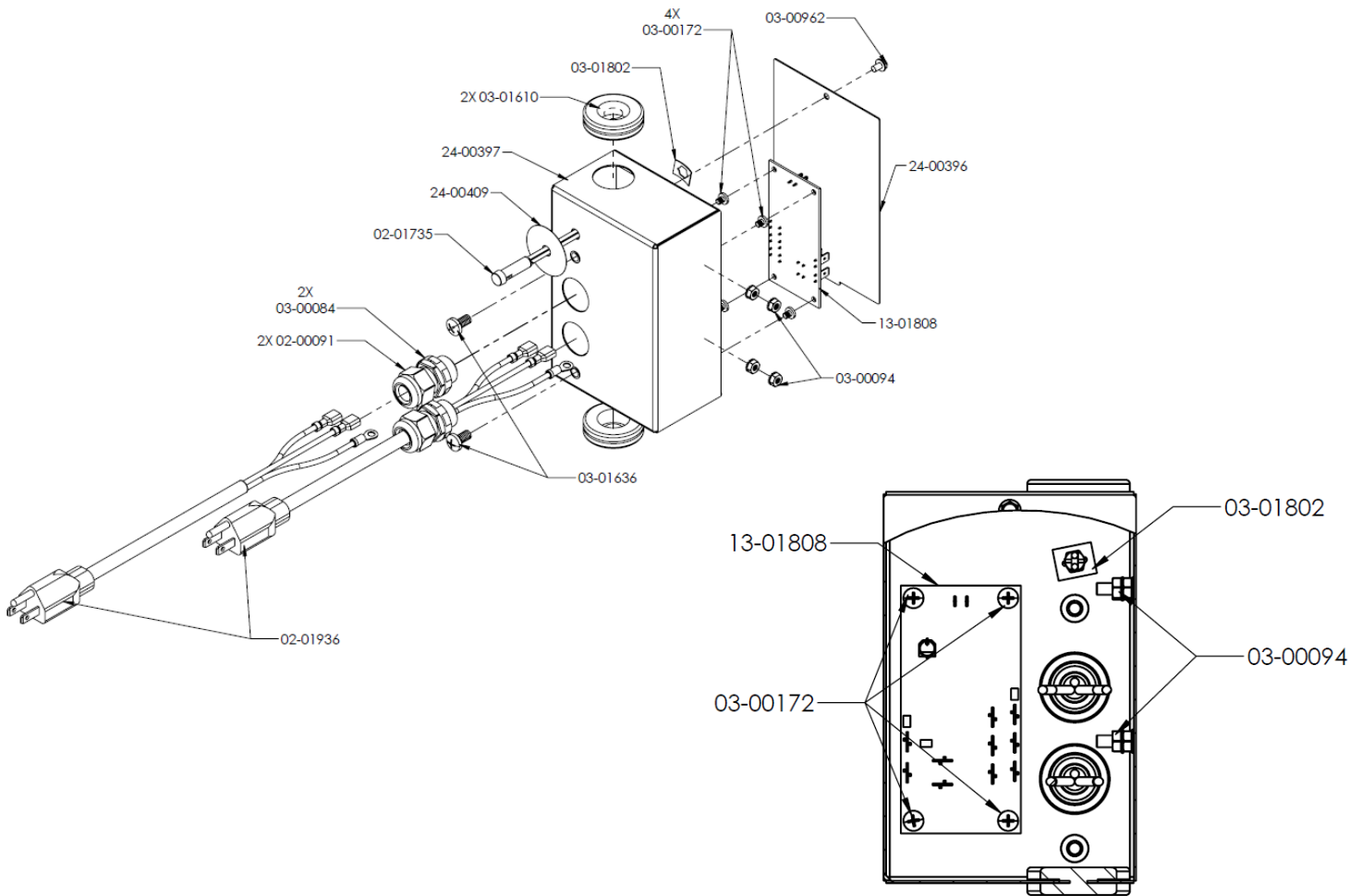
SOLUTION TANK PARTS SIDE VIEW 3 SWITCH
(WITH PUMP OUT)



PARTS LIST

PART #	QTY	DESCRIPTION
24-00324	1	FTG – 1/2 NPT X 1/2 HB NYLON
24-00467	1	SWITCH - ROCKER DPST (SOLD INDIVIDUALLY)
24-00471	1	ASSY – BOX ELECTRICAL 3 SWITCH PUMP OUT

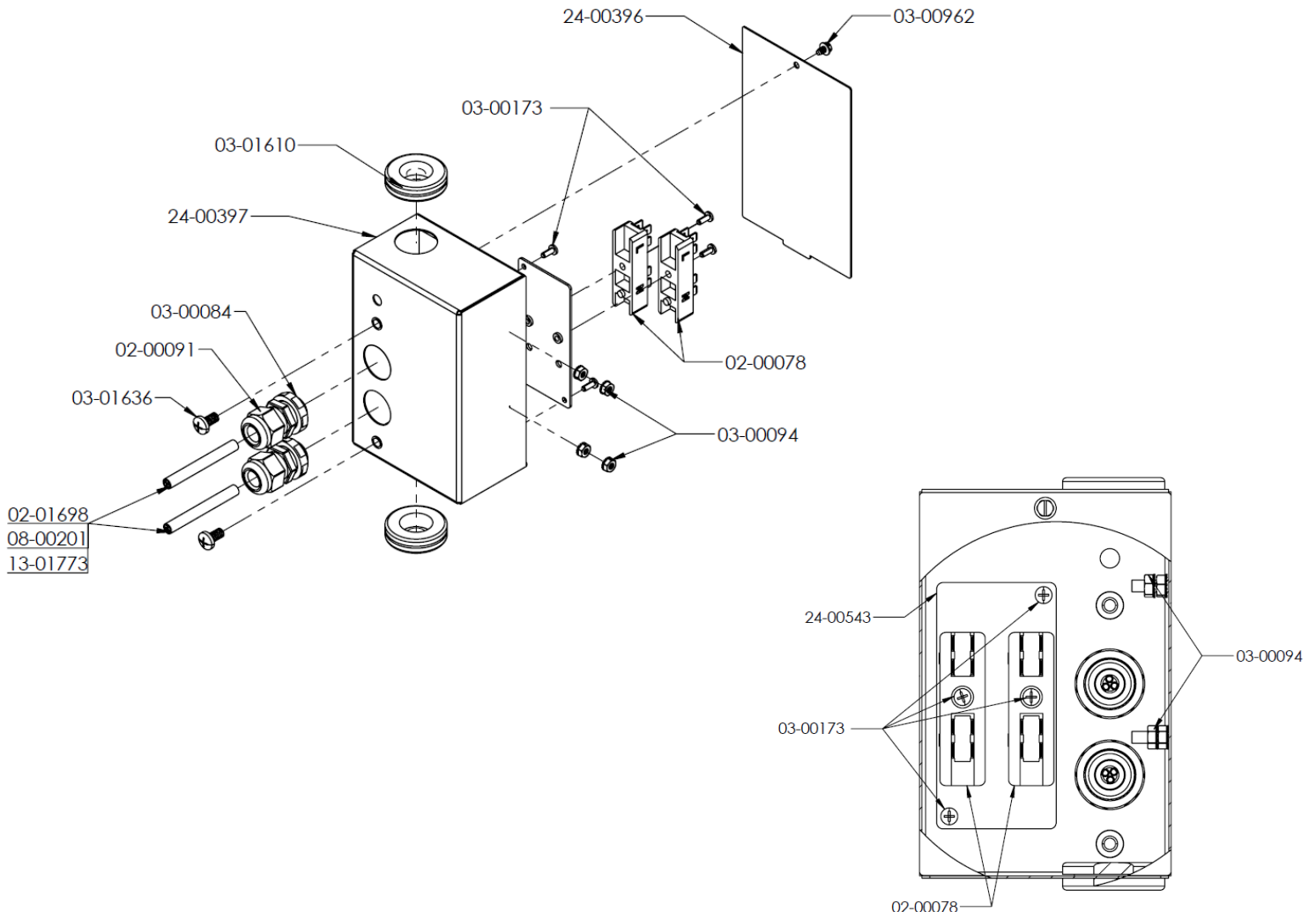
DUAL CORD 115V (78-005-115V)



SINGLE CORD PARTS LIST (115V)

PART #	QTY	DESCRIPTION
02-00091	2	STRAIN RELIEF – LIQUID TIGHT .470 BLK
02-01735	1	LIGHT ASSY – INDICATOR 2V GREEN
02-01936	2	POWER CORD ASSY – 14/3 SJTW NEMA 5-15PH CLEAR/ ROJ 6 IN STRIP 1/4 IN 12 IN
03-00084	2	NUT – 1/2 NPT NYLON BLK
03-00094	4	NUT - #10-32 W/STAR WASHER ZP
03-00172	4	SCREW - #6-32 X 3/16 PHIL PH ZP
03-00962	1	SCREW - #8-32 X 1/4 TC CLASS 2 HWH ZP
03-01610	2	GROMMET - .875 ID X 1.625 OD RUBBER
03-01636	2	SCREW -1/4-20 X .50 PHP SS
03-01802	1	CLIP – TINNERMAN .313 DIA BLK OXIDE
13-01808	1	PCBA – SEPARATE CIRCUIT INDICATOR
24-00396	1	FORMING – WIRE BOX COVER PORTABLE
24-00397	1	FORMING – WIRE BOX PORTABLE
24-00409	1	LABEL – INDICATOR LIGHT SURROUND PORTABLES

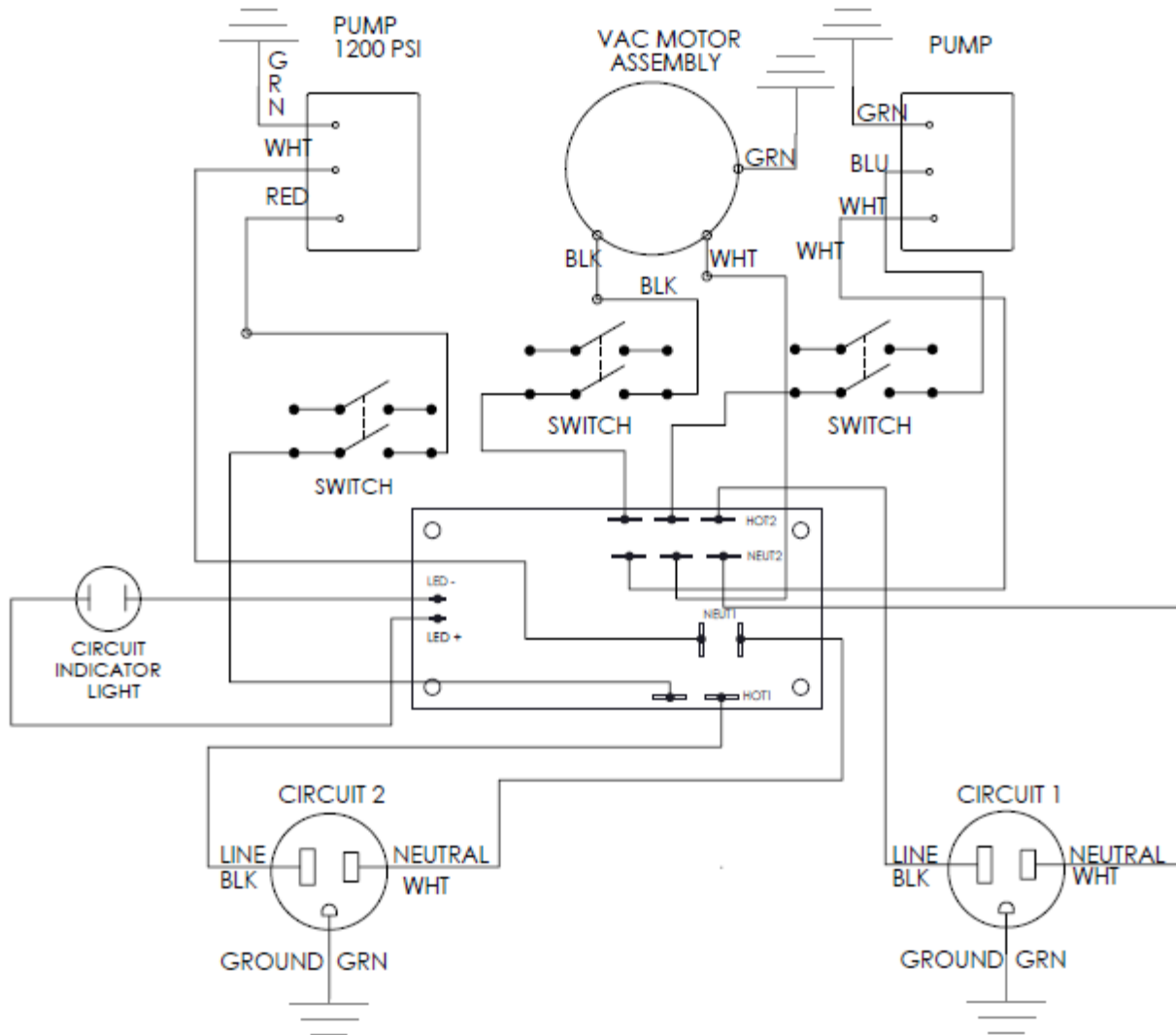
DUAL CORD 230V (78-005-230V)



DUAL CORD PARTS LIST (230V)

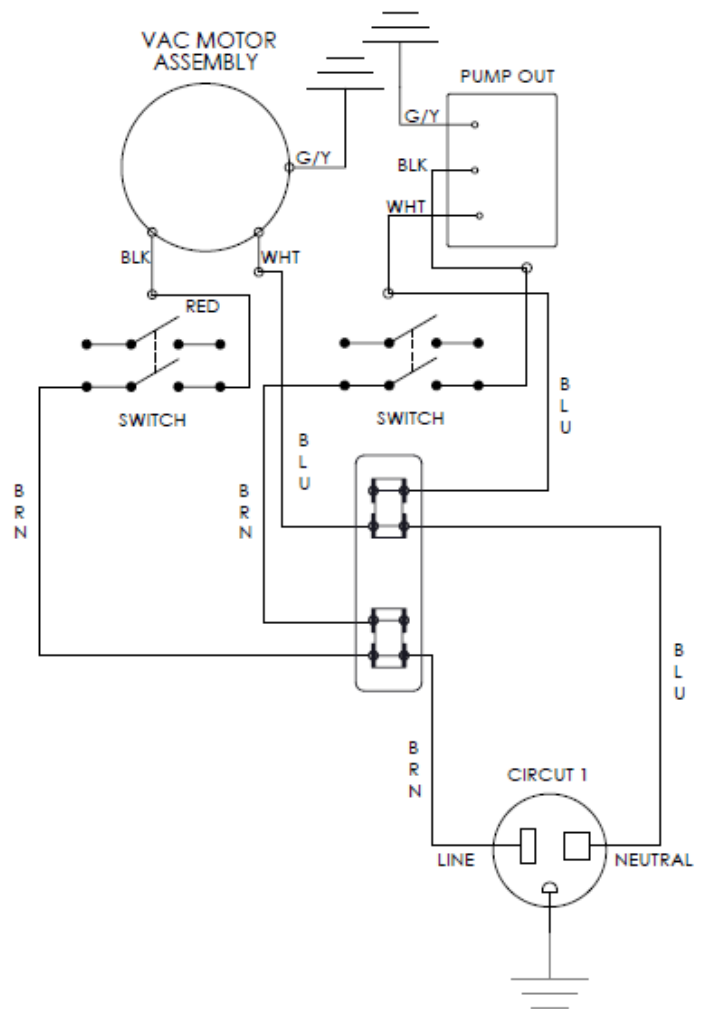
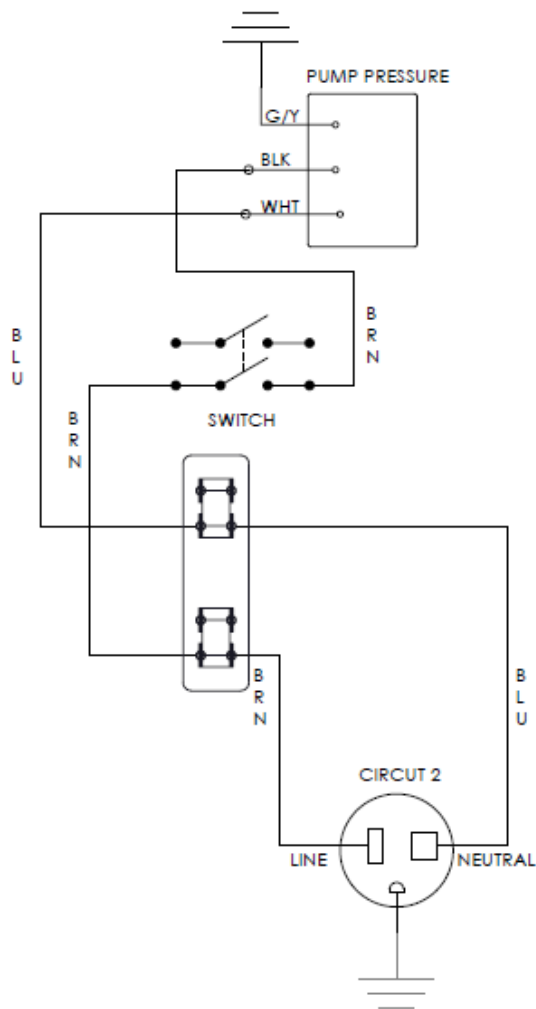
PART #	QTY	DESCRIPTION
02-00078	2	TERMINAL BLOCK- 4 X 4 SCREW
02-00091	2	STRAIN RELIEF – LIQUID TIGHT .470 BLK
02-01698	1	POWER CARD ASSY – 3 X 1.00MM H07RN AS3112 25FT HEPA 500 230V
03-00084	2	NUT – 1/2 NPT NYLON BLK
03-00094	4	NUT - #10-32 W/STAR WASHER ZP
03-00173	4	SCREW - #6-32 X 3/8 PHIL PH ZP
03-00962	1	SCREW - #8-32 X 1/4 TC CLASS 2 HWH ZP
03-01610	2	GROMMET - .875 ID X 1.625 OD RUBBER
03-01636	2	SCREW – 1/4-20 X .50 PHP SS
08-00201	1	POWER CORD ASSY – 3 X 1.50MM H07RNF BS1363 25FT
13-01773	1	POWER CORD ASSY – 3 X 1.00MM H07RNF CEE7/7 25FT HEPA 500 230V
24-00396	1	FORMING – WIRE BOX COVER PORTABLE
24-00397	1	FORMING – WIRE BOX PORTABLE
24-00543	1	PLATE – MOUNTING TERMINAL BLOCK

WIRING SCHEMATIC
3 SWITCH (PUMP OUT)
115V



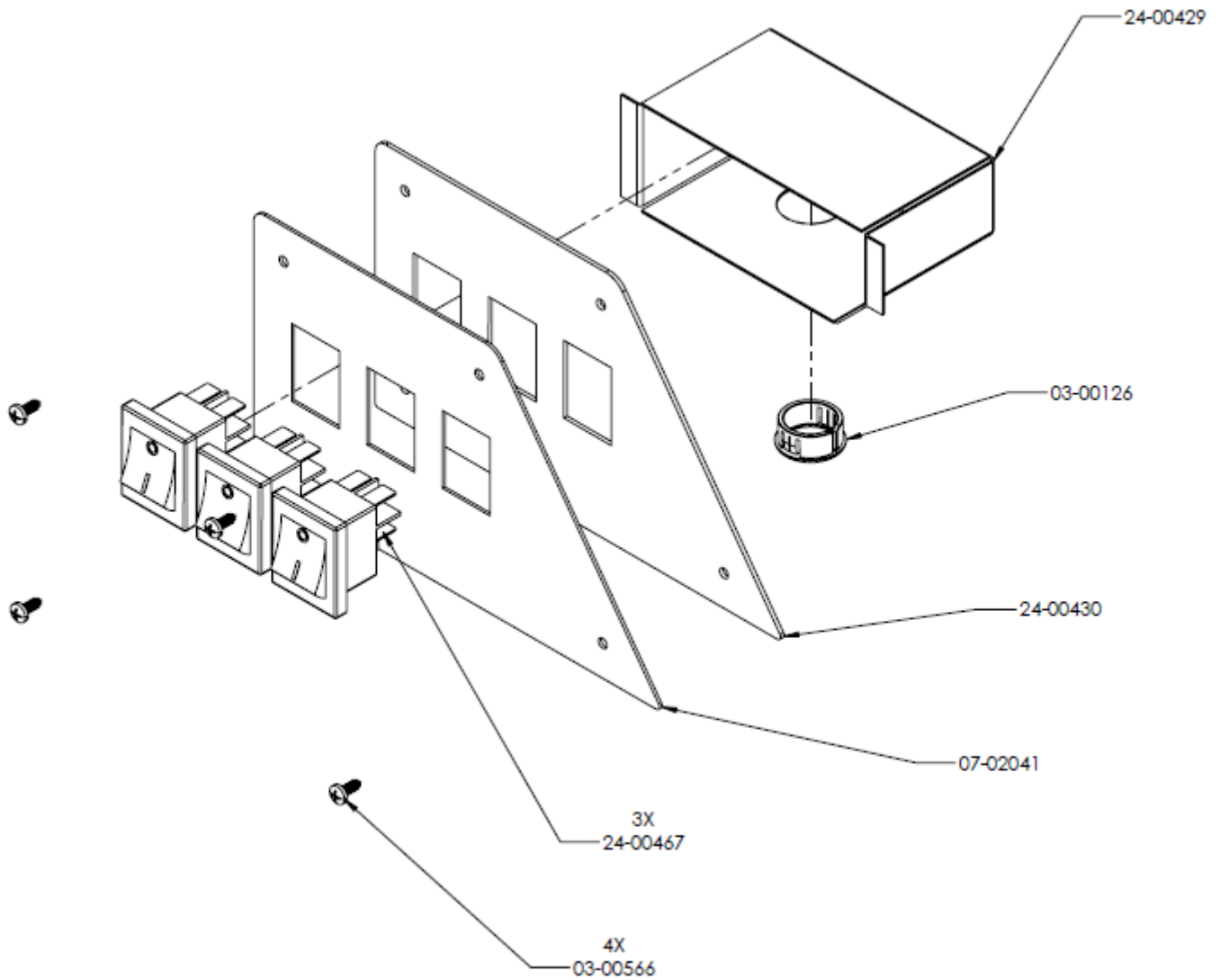
WIRING SCHEMATIC
PORTABLE 1200 PSI

WIRING SCHEMATIC 3 SWITCH (PUMP OUT) 230V



WIRING SCHEMATIC 1200 PSI

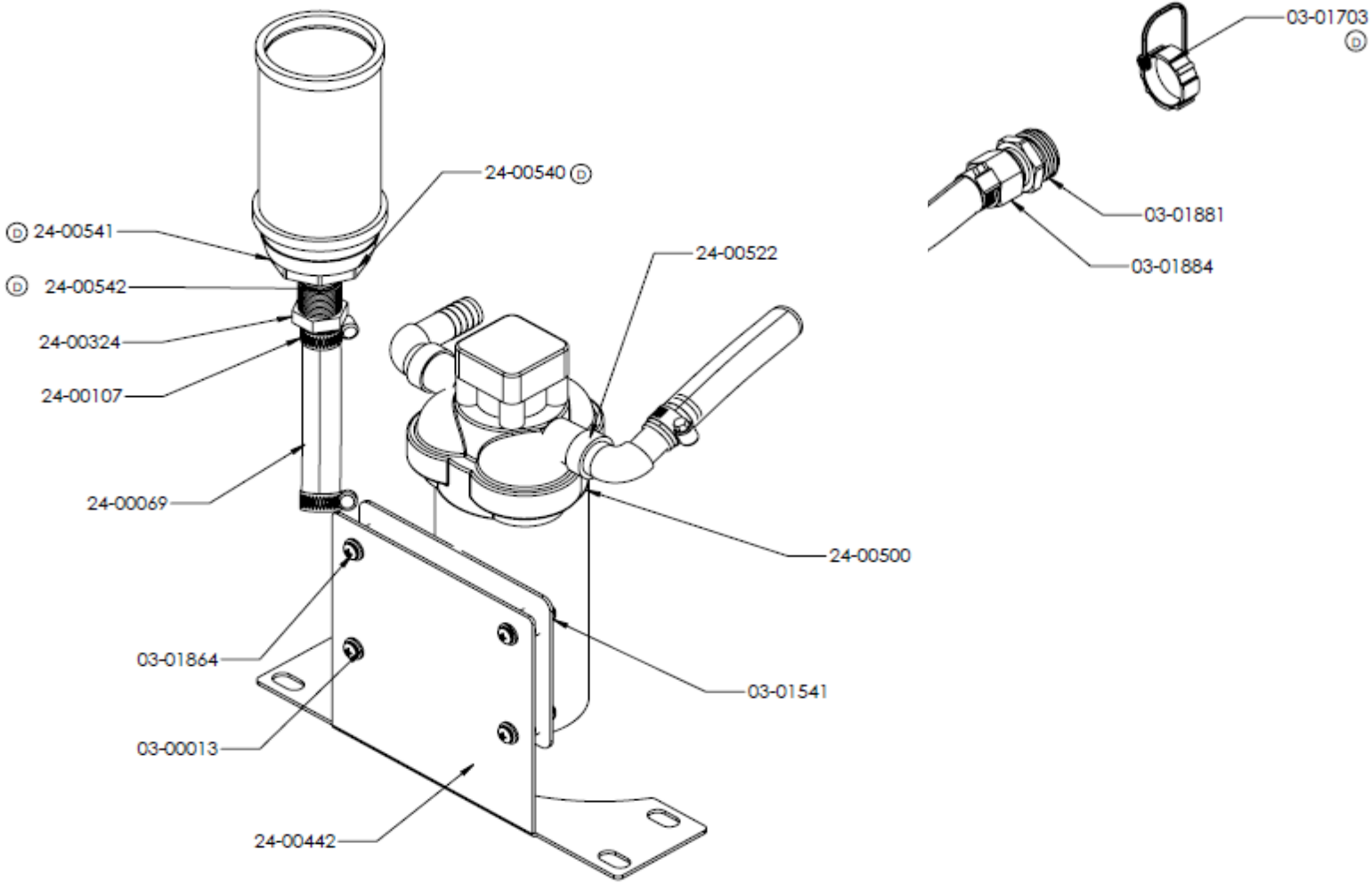
ASSY – ELECTRICAL BOX 3 SWITCH PUMP OUT
115V – 230V



PARTS LIST

PART#	QTY	DESCRIPTION
03-00126	1	BUSHING - .671 ID X .875 X .41 SPLIT NYLON BLK
03-00566	4	SCREW - #6 X 3/8 PHIL PH ZP
07-02041	1	LABEL – PRODUCT SWITCH PLATE 3 HOLE PUMP OUT
24-00429	1	ELECTRICAL BOX – SOLUTION TANK PORTABLE EXTRACTOR
24-00430	1	PLATE – SWITCH 3 HOLE
24-00467	3	SWITCH – ROCKER DPST

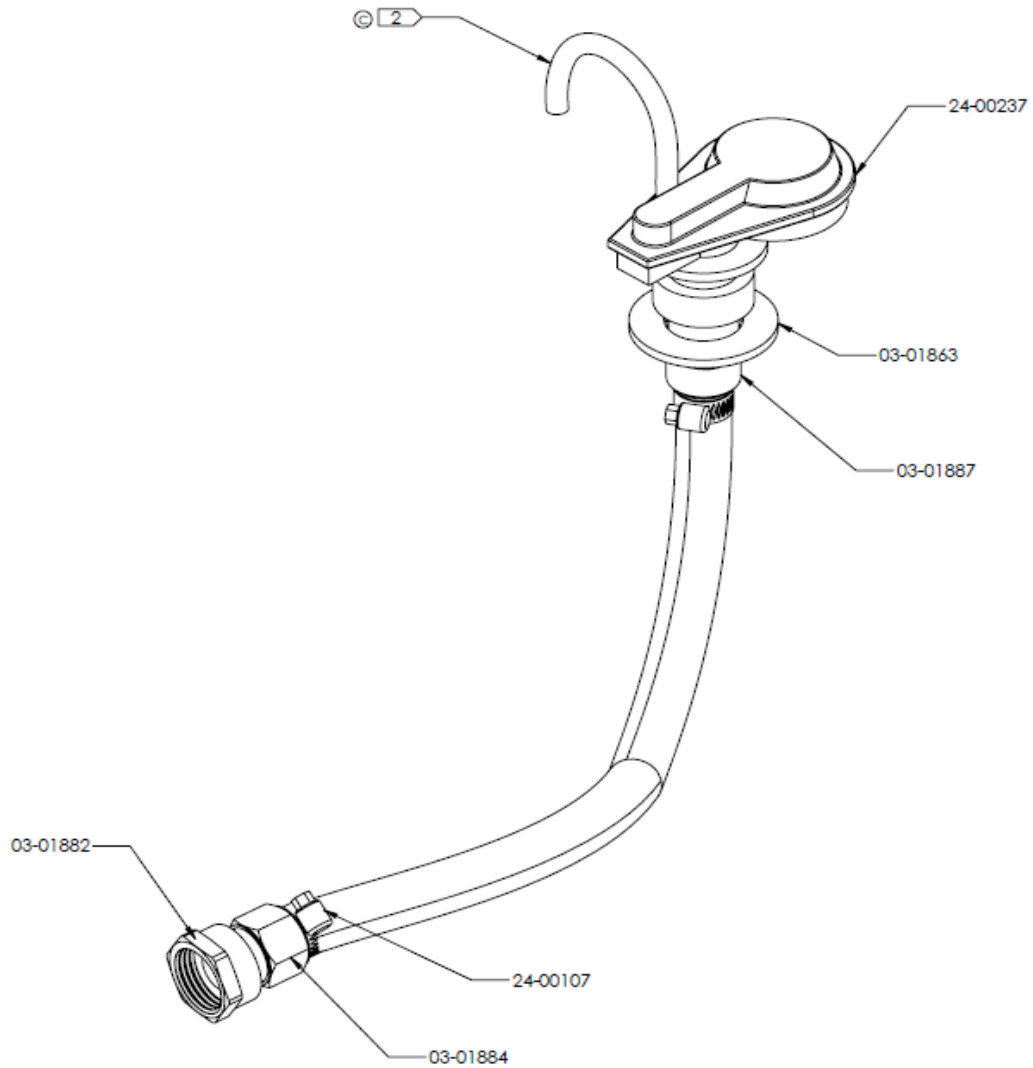
PUMP OUT 115V



PARTS LIST

PART#	QTY	DESCRIPTION
03-00013	8	WASHER – 3/16 RIVET .19 ID X .47 OD X .05 ZP
03-01541	4	NYLOC – NUT #10-32
03-01703	1	CAP – 3/4 GHT W/LANYARD BLK
03-01864	4	SCREW - #10-32 X 1 1/4 PHP ZP
03-01881	1	FITTING – 3/4 MGH X 1/2 MPT BRASS
03-01884	1	FITTING – 1/2 FPT X 1/2 HB
24-00069	36 IN	HOSE – 1/2 ID CLEAR
24-00107	4	HOSE – CLAMP .75
24-00324	1	FTG – 1/2 NPT X 1/2 HB NYLON
24-00442	1	PLATE – MOUNT PUMP OUT
24-00500	1	PUMP – 115V 60 PSI BYPASS
24-00522	2	FITTING – ELBOW QC X 1/2 HB
24-00540	1	STRAINER – INLINE PUMP OUT
24-00541	1	BUSHING – 1 1/4 SPIGOT X 1/2 FNPT
24-00542	1	NIPPLE – 1/2 MNPT PVC

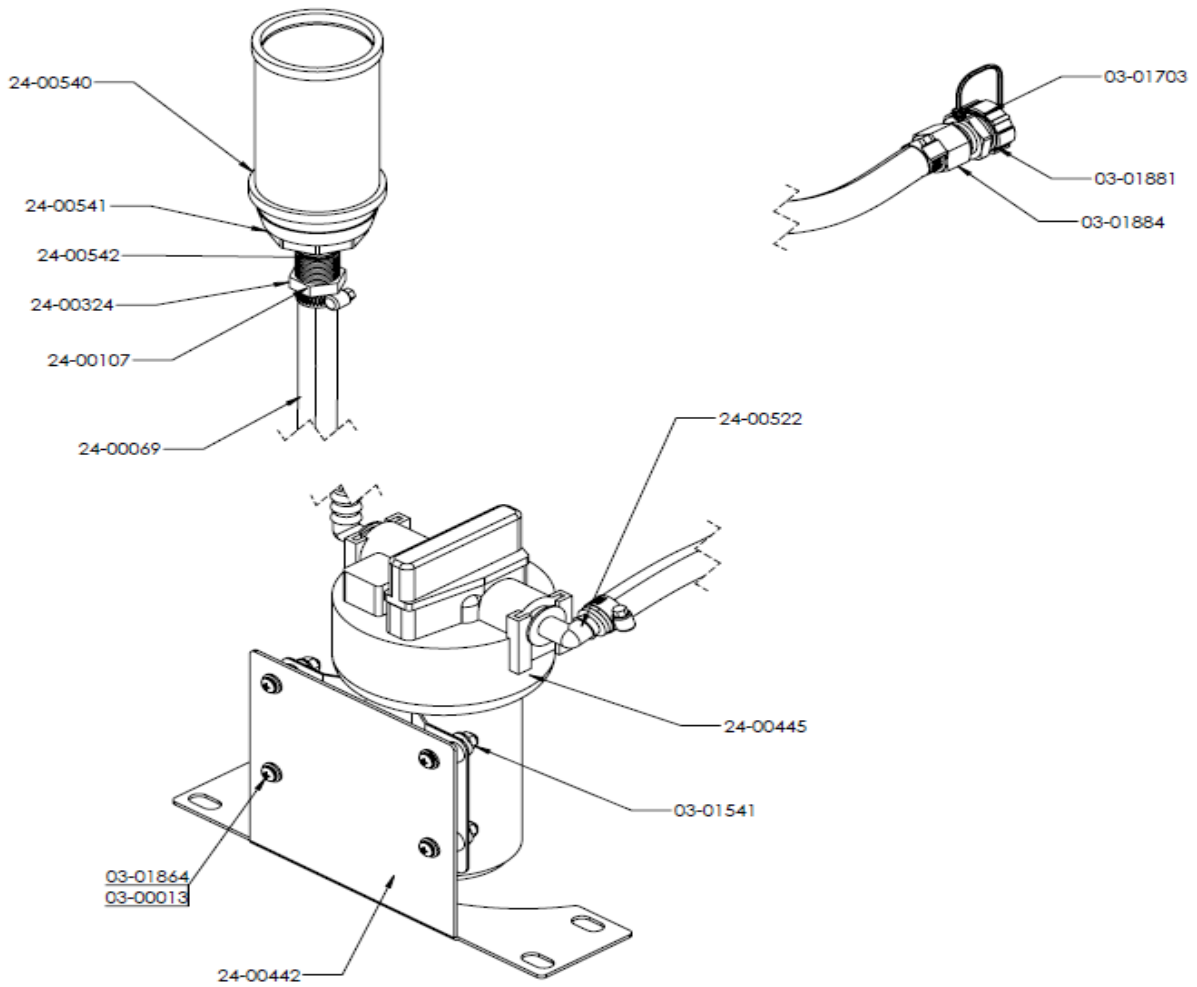
AUTO FILL
115V – 230V



PARTS LIST

PART#	QTY	DESCRIPTION
03-01863	1	WASHER – 1.062 IN ID PLASTIC
03-01882	1	FITTING – 3/4 MGH X 1/2 MPT BRASS
03-01884	1	FITTING – 1/2 FPT X 1/2 HB
03-01887	1	ADAPTER – 7/8 BALL COCK X 1/2 BARB PEX
24-00107	2	HOSE – CLAMP .75
24-00237	1	VALVE – AUTO FILL

PUMP OUT 230V



PARTS LIST

PART#	QTY	DESCRIPTION
03-00013	8	WASHER – 3/16 RIVET .19 ID X .47 OD X .05 ZP
03-01541	4	NYLOC – NUT #10-32
03-01703	1	CAP – 3/4 GHT W/LANYARD BLK
03-01864	4	SCREW - #10-32 X 1 1/4 PHP ZP
03-01881	1	FITTING – 3/4 MGH X 1/2 MPT BRASS
03-01884	1	FITTING – 3/4 MGH X 1/2 MPT BRASS
24-00069	36 IN	HOSE – 1/2 ID CLEAR
24-00107	4	HOSE – CLAMP .75
24-00324	1	FTG – 1/2 NPT X 1/2 HB NYLON
24-00442	1	PLATE – MOUNT PUMP OUT
24-00445	1	PUMP – AQUATEC 230V 60 PSI
24-00522	2	FITTING – ELBOW QC X 1/2 HB
24-00540	1	STRAINER – INLINE PUMP OUT
24-00541	1	BUSHING – 1 1/4 SPIGOT X 1/2 FNPT
24-00542	1	NIPPLE – 1/2 MNPT PVC