

Flood Pro

(Model: F244)

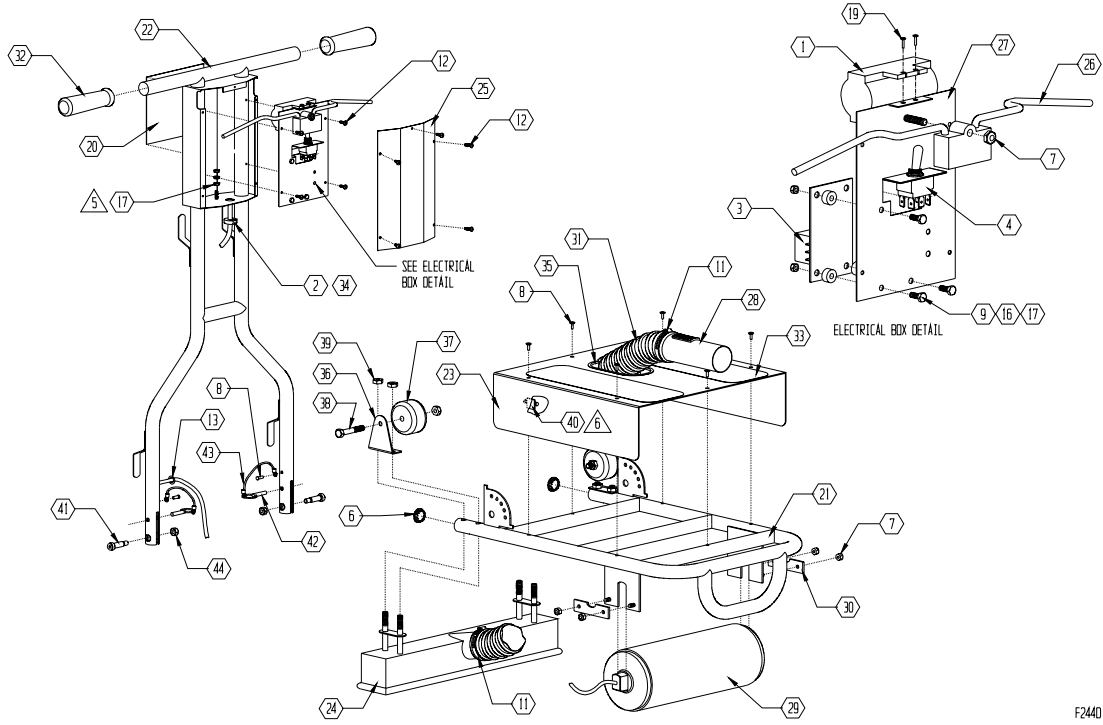
Symbol Definition

- * - multiple components to choose from for different models: voltage, size, color, etc.
- + - if you order this item, you may need to order additional items marked with same number of +'s in order to upgrade or complete repair

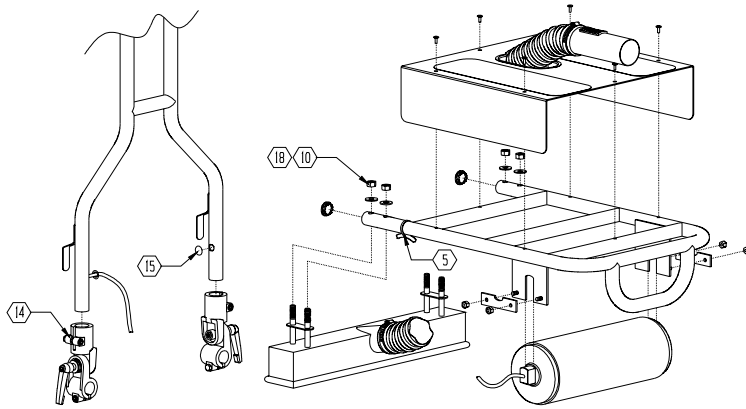
Part Description		Specifications/Model	Part #	Qty	
	Wire	White 18Ga Awm 105c/600v	02-00104	ft.	0.66'
	Wire	Black 18Ga Awm 105c/600v	02-00105	ft.	0.92'
	Wire	Brown 18Ga Awm 105c/600v	02-00106	ft.	0.92'
	Wire	Blue 18Ga Awm 105c/600v (6")	02-00108	ft.	0.5'
	Wire	Purple 18Ga Awm 105c/600v (6")	02-00110	ft.	0.5'
	Connector	Piggyback .250 18/14 GA	02-00134	ea.	2
1	Capacitor	30MFD 370v 1.75 Dia Round w/bracket	02-00165	ea.	1
2	Strain Relief	Snap .360 Dia Blk	02-00218	ea.	1
3	Time Delay	.25 Sec 120V	02-00242	ea.	1
4	Switch	Momentary Toggle Dpdt	02-00243	ea.	1
13	Bushing	.312 ID x .562 OD x .406 Nylon Blk	02-00247	ea.	2
	Connector	Ring #10 Non Insul 14/16 Ga	02-00253	ea.	1
	Connector	Ring .250 Non Insul 14/16 Ga	02-00254	ea.	1
	Connector	QC .250 Fem Fully Insul 22/18 GA	02-01117	ea.	12
	Cable Tie	4" Nylon	03-00012	ea.	2
	Nut	Nyloc 1/4-20 Zp - (Part of S261 Kit)	03-00017	ea.	4
7	Nut	1/4-20 Nylon Thin Zp	03-00029	ea.	5
8	Rivet	3/16 x 1/2 Al-Al Blk Anodized	03-00030	ea.	8
17	Nut	#10-24 W/Star Washer Zp	03-00038	ea.	6
9	Spacer	.50 OD x .19 ID x .25 Nylon	03-00075	ea.	3
10	Washer	3/8 ID x 7/8 OD x .07 Zp	03-00086	ea.	4
44	Nut	Nyloc 5/16-18 Zp	03-00098	ea.	2
11	Clamp	Hose 2" Dia Worm Drive	03-00138	ea.	2
40	Mounting Pad	Nylon Tie 3/4 x 4 Way Psa	03-00141	ea.	1
	Grommet	3/8 ID x .50 x .06 Rubber Blk	03-00156	ea.	3
	Spring	Die .375 IDx1.50x.06 H L S	03-00157	ea.	2
	Handle	if strips out for 03-00158 (Rev A Handle)	03-00166	ea.	1
38	Screw	for wheel, Axle 3/8-16 x 2 1/4" w/nut Zp	03-00167	ea.	2
39	Nut	3/8-16 Nyloc Thin SS	03-00168	ea.	4
	Nut	M8 Hex, for hinge handle screw (Rev A Handle)	03-00174	ea.	2
42	Pin	Quick Release 1/4 x 1 SS	03-00176	ea.	2
	Bolt	U 1/2 Pipe 1/4-20 SS (Part of S261 Kit)	03-00183	ea.	4
	Clamp	Hose 1-1/4 Dia Worm Drive (Part of S261 Kit)	03-00184	ea.	2
16	Bolt	10-24 x 1/2 HH SS	03-00430	ea.	3
18	Nut	3/8-16 Nyloc Zp	03-00505	ea.	4
19	Rivet	5/32 x 1/2 Al/Al Blk Anod	03-01367	ea.	2
12	Screw	#10-16 SD X 1/2 Phil PH SS	03-01515	ea.	9

	Part Description	Specifications/Model	Part #	Qty	
	Foam	1 Piece Bottom Cushion	06-00102	ea.	1
	Foam	Pad 1 1/2 x 18 x 18 A-33 Charcoal	06-00103	ea.	1
	Warranty Card	Registration	07-00309	ea.	1
	Manual	Owners	07-00357	ea.	1
20	Label	Product, Flood Pro	07-00358	ea.	1
	Label	115v, Model/Serial UL/CUL	07-00364	ea.	1
	Instructions	Flood Pro Hinge Kit Installation (Part of S261)	07-00404	ea.	1
21	Base	Stainless Steel	13-00129	ea.	1
22	Handle Assy	Stainless Steel Assy	13-00130	ea.	1
23	Deck	Stainless Steel Deck	13-00131	ea.	1
24	Head	Stainless Steel Head	13-00132	ea.	1
25	Cover	Stainless Steel Electrical Box	13-00133	ea.	1
26	Lever Assy	Stainless Steel Lever Assy	13-00134	ea.	1
27	Plate	Switch SS	13-00135	ea.	1
28	Coupling	Vac Release SS	13-00136	ea.	1
29	Roller	4.5 Dia x 12.0 115v .24 Hp	13-00138	ea.	1
30	Strap	Mountings SS	13-00139	ea.	2
31	Hose	2.0 OD x 12.0 Vacuum Crushproof Clear	13-00140	ea.	1
32	Grip	Handle 1.0 ID Blk	13-00142	ea.	2
33	Grip Tape	5.0 x 13.0 3100 Blk	13-00143	ea.	2
34	Power Cord	14/3 SJTW 5-15P 50Ft Flood Pro	13-00144	ea.	1
6	Plug	Tube End 1.0 OD x .290 Zp	13-00149	ea.	2
35	Grommet	Edging .131 x .160 Polyethylene w/ Adh Blk	13-00150	in.	13.25
36	Bracket	Wheel Stainless Steel	13-00155	ea.	2
37	Wheel	2 1/2 x 1 3/8 x 3/8 Bore Gry	13-00156	ea.	2
	Wire	.0625 Galv Stl 7x7 Vinyl Coated	13-00157	ft.	.23'
	Adaptor	Handle Tube 1 x 5 SS (Part of S261 Kit)	13-00165	ea.	2
	Bracket	Hinge SS (Part of S261 Kit)	13-00166	ea.	2
	Transport Wheel Kit	Upgrade Kit	S252	ea.	1
	Hinge Kit	Upgrade Kit	S261	ea.	1

Flood Pro Pictorial Drawing



F244D



F244A