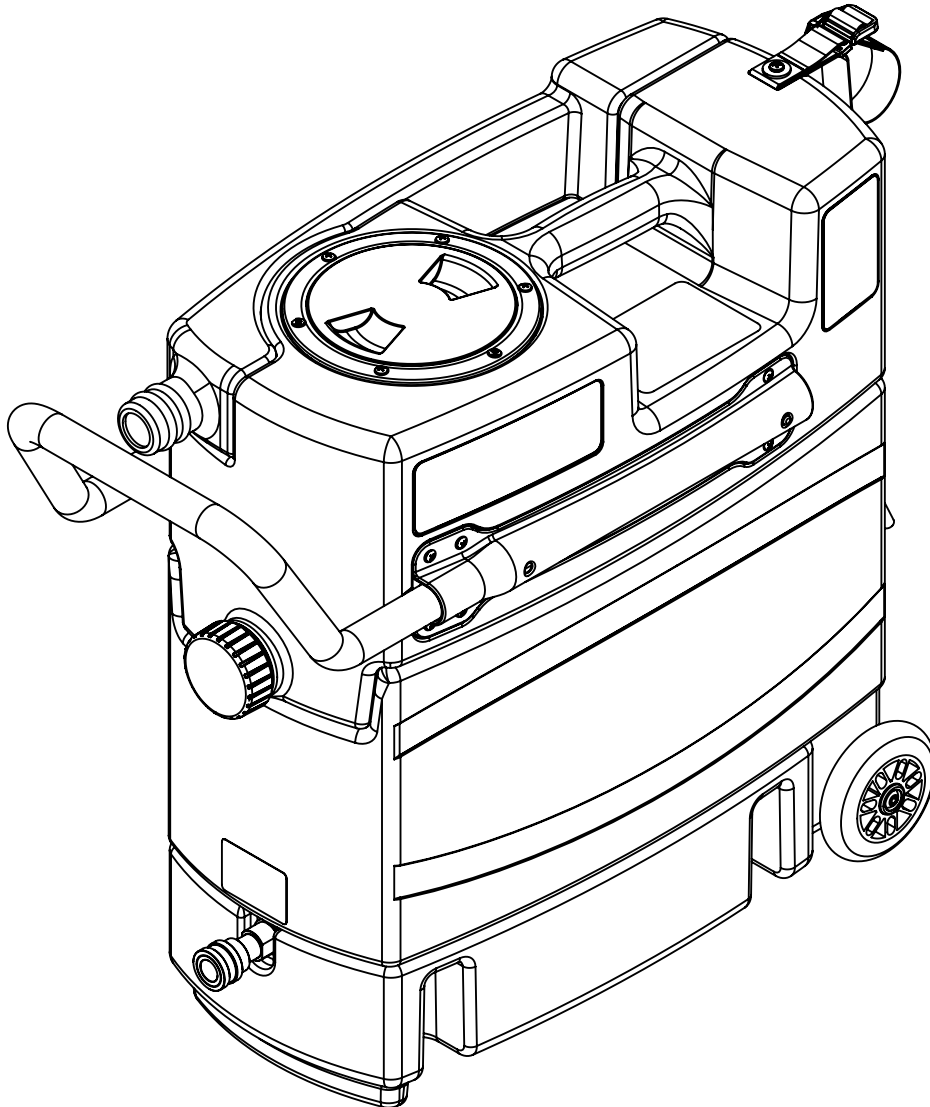
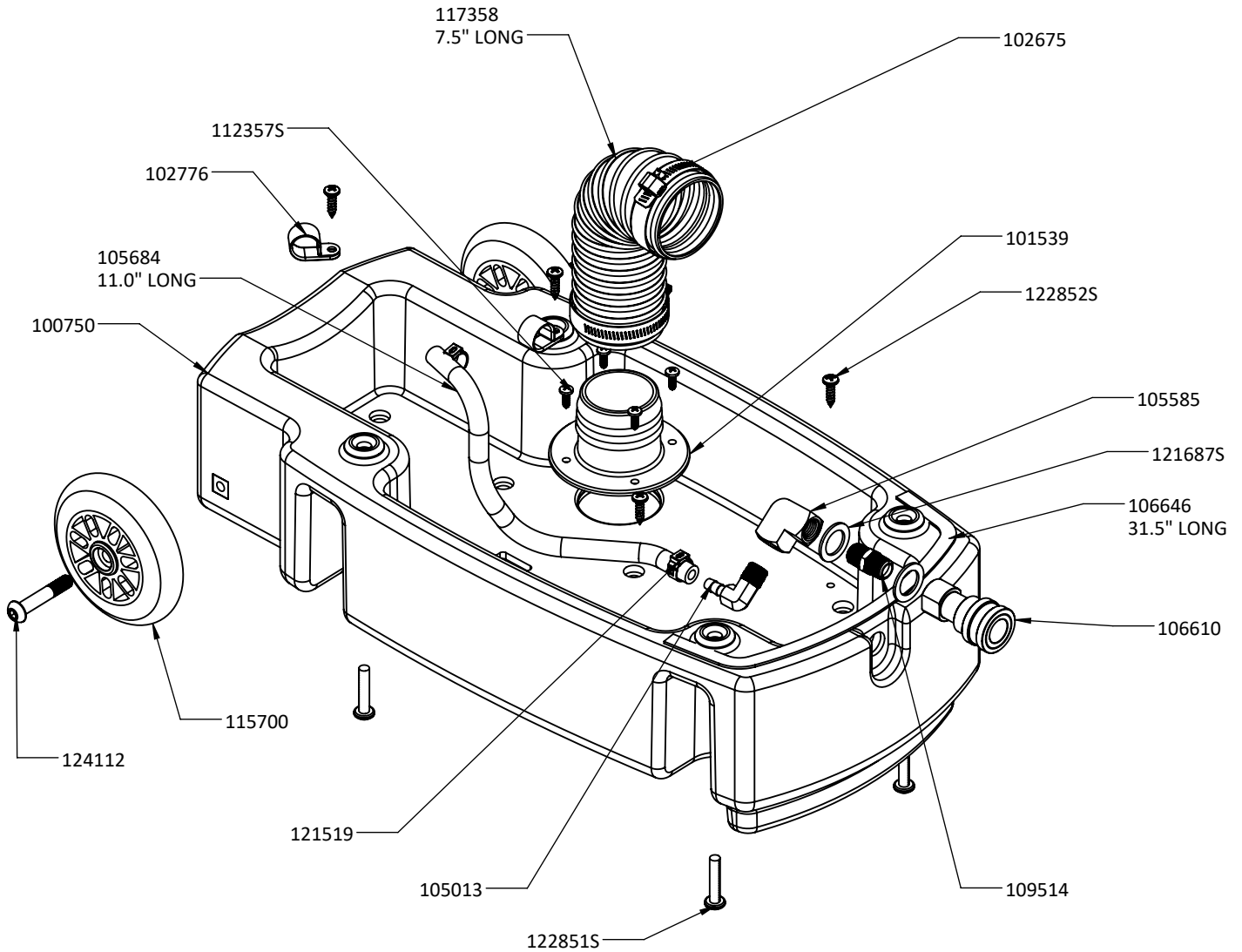


# VERSATILE DEEP CLEANER HEATED SPOTTER

MANUFACTURED DATE: 07/2020 - PRESENT



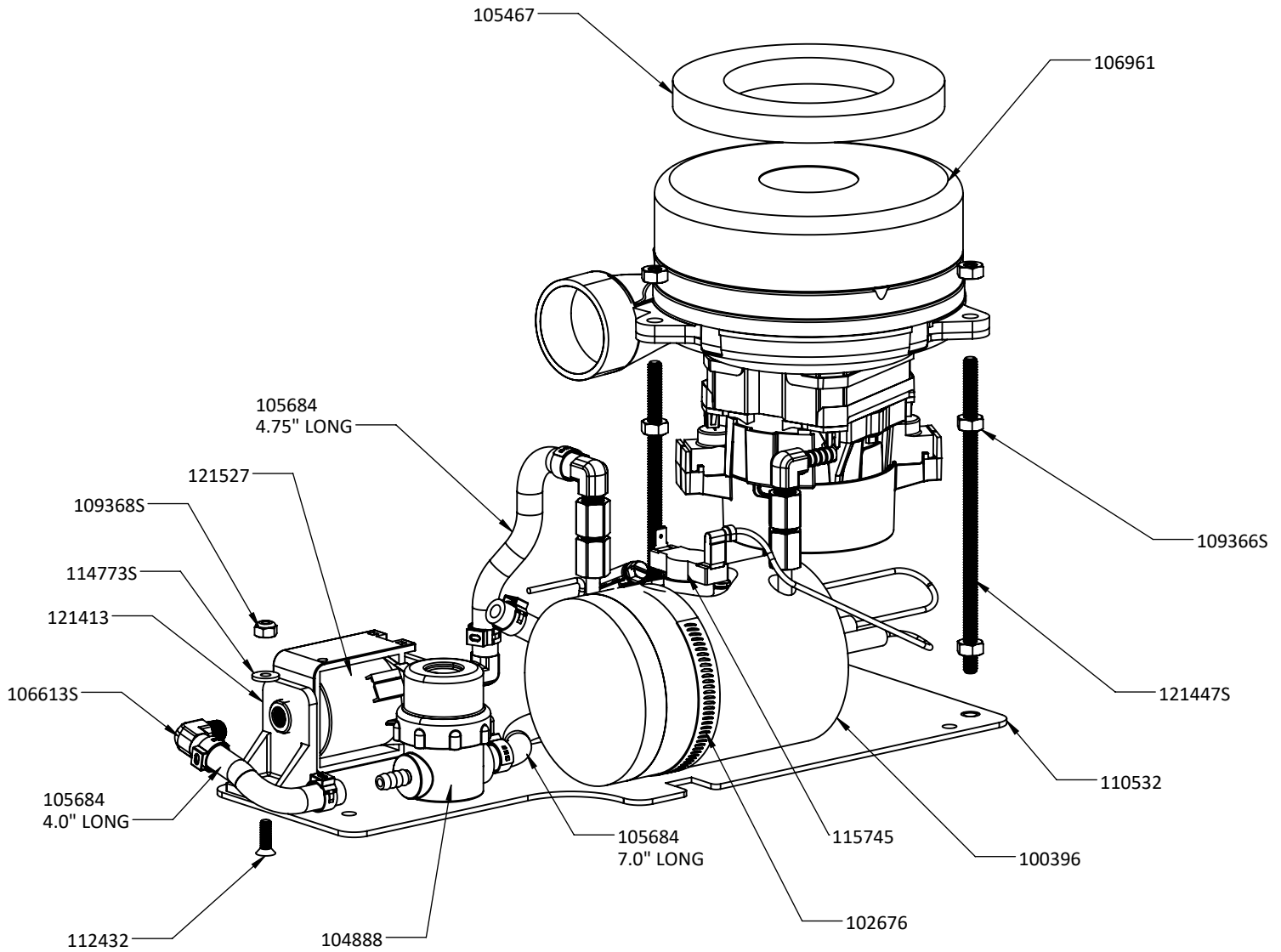
Parts are available through Legend Brands distributors. To locate a distributor near you, visit [Legendbrandscleaning.com/Dealer-Search](https://www.legendbrandscleaning.com/Dealer-Search)  
For technical questions, visit [info.LegendBrands.com](https://www.info.LegendBrands.com) or email [service@legendbrandscleaning.com](mailto:service@legendbrandscleaning.com)



**BASE ASSEMBLY**

PART NO.	QTY	UNIT	DESCRIPTION
124112	2	EA	SCREW - AXLE M8-1.25 X 45MM BSHCS ZP
122851S	4	EA	SCREW - 1/4-20 X 1.25 PHP ZP
122825S	4	EA	SCREW - #10 X .75 PHP ZP
121687S	2	EA	WASHER - .656 ID X 1.00 OD X .062 SS
121519	2	EA	CLAMP - HOSE PINCH 27/64 - 17/32 DIA SS
117358	.63	FT	HOSE - VAC 2 IN WIRE REINFORCE TPE PVC
115700	2	EA	WHEEL - 100MM X 25 MM 85A
112357S	4	EA	SCREW - #8 X 1/2 PHIL PH ZP
109514	1	EA	NIPPLE - 1/4 NPT HEX BRASS
106646	31.5	IN	GASKET - .375 X .125 CLOSED CELL NEOPRENE / VINYL / NITRILE
106610	1	EA	FTG - 1/4 FPT X 1/4 MQC BRASS
105684	.92	FT	TUBING - 1/4 ID X 1/2 OD BRAIDED PVC
105508	1	EA	FITING - ELBOW 90 DEG 1/4 FPT X 1/4 FPT
105013	1	EA	FITTING - 1/4 M NPT X BARB ELBOW 90 DEG
102776	2	EA	CLAMP - CABLE 5/8 NYLON BLK
102675	2	EA	CLAMP - HOSE 2.50 DIA SAE 32 WORM DRIVE SS
101539	1	EA	BASE CONNECTOR - POLYPROPYLENE BLK DRIFORCE
100750	1	EA	ASSY - BASE VERSATILE DEEP CLEANER

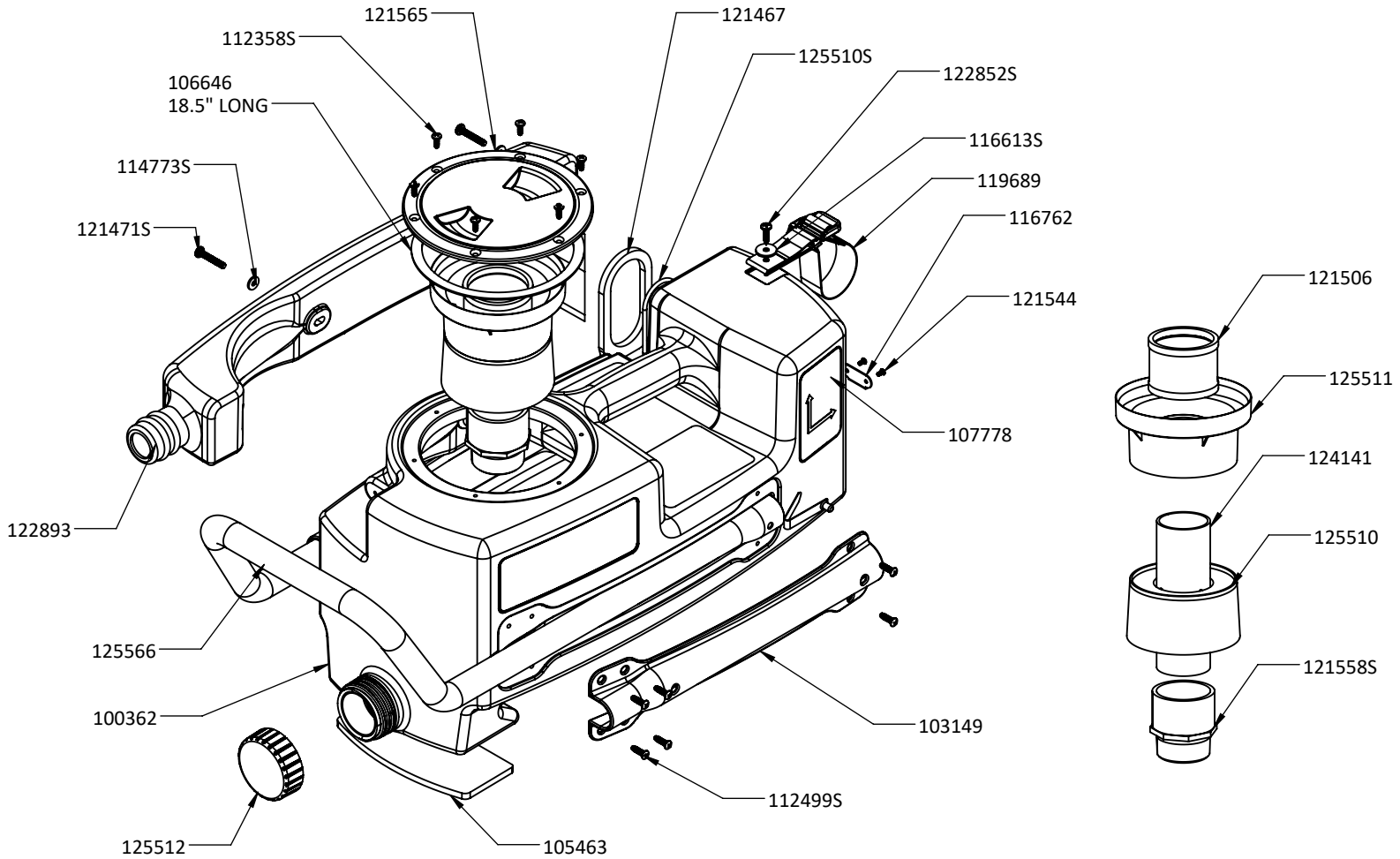
Parts are available through Legend Brands distributors. To locate a distributor near you, visit [Legendbrandscleaning.com/Dealer-Search](http://Legendbrandscleaning.com/Dealer-Search)  
 For technical questions, visit [info.LegendBrands.com](http://info.LegendBrands.com) or email [service@legendbrandscleaning.com](mailto:service@legendbrandscleaning.com)



**BASE PLATE ASSEMBLY**

PART NO.	QTY	UNIT	DESCRIPTION
121527	1	EA	ASSY - PUMP 58 PSI 115V VITON
121447S	3	EA	ROD - THREADED 1/4-20 X 6 STL ZP
121413	2	EA	BRACKET - MOUNTING 58 PSI SOLENOID PUMP
115745	1	EA	SWITCH - THERMOSTAT 150 DEG NC
114773S	2	EA	WASHER - 3/16 RIVET .19 ID X .47 OD X .05 ZP
112432	2	EA	SCREW - FLAT HD PHIL CS TYPE F #10-32 X 5/8 ZINK PLATED
110532	1	EA	PLATE - MOUNTING VERSATILE DEEP CLEANER
109368S	2	EA	NUT - 10-32 NYLOCK ZP
109366S	9	EA	NUT - 1/4-20 HEX STL ZP
106961	1	EA	BLOWER ASSY - 120V 910W 1SP 2 STAGE
106613S	2	EA	FTG - ELBOW 90 1/8 NPT X 1/4 BARB
105684	1.31	FT	TUBING - 1/4 ID X 1/2 OD BRAIDED PVC
105467	1	EA	GASKET - VACUUM BLOWER INLET NEOPR PSA
104888	1	EA	FILTER - INLINE 1/4 BARB X 1/4 BARB PP
102676	1	EA	CLAMP - HOSE 2-9/16 - 3-1/2 SAE48 SS
100396	1	EA	ASSY - HEATER 750 W 115V

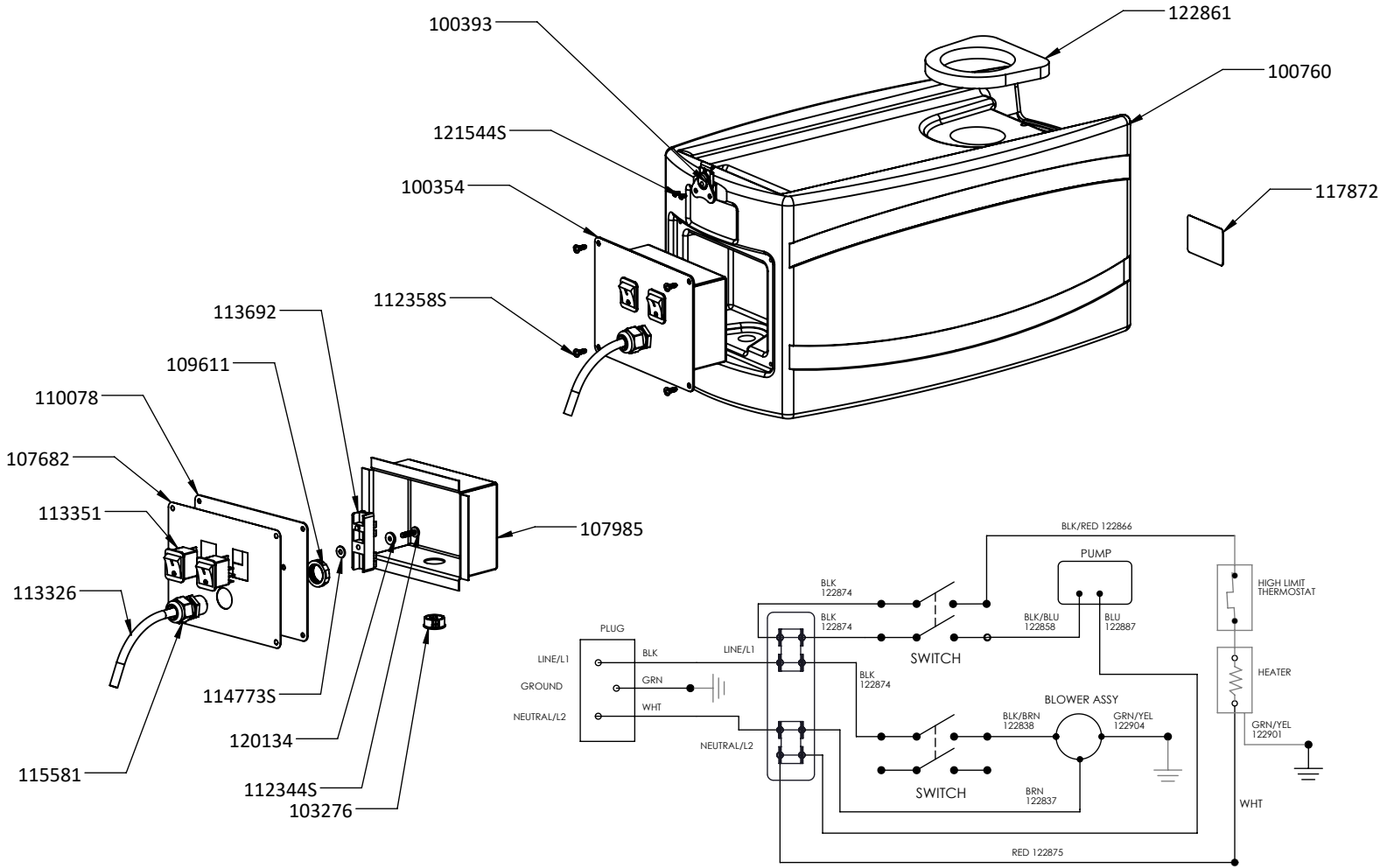
Parts are available through Legend Brands distributors. To locate a distributor near you, visit [Legendbrandscleaning.com/Dealer-Search](http://Legendbrandscleaning.com/Dealer-Search)  
 For technical questions, visit [info.LegendBrands.com](http://info.LegendBrands.com) or email [service@legendbrandscleaning.com](mailto:service@legendbrandscleaning.com)



**RECOVERY TANK AND VACUUM TUBE ASSEMBLY**

PART NO.	QTY	UNIT	DESCRIPTION
125566	1	EA	ASSY - HANDLE TUBE 1 IN OD WITH SPRING BUTTON VDC
125512	1	EA	ASSY - BUTTRESS CAP WITH DISK GASKET
125511	1	EA	ASSY - CAP VACUUM SHUTOFF WITH O-RING VDC
125510	1	EA	ASSY - FLOAT VACUUM SHUTOFF WITH GASKET VDC
124141	1	EA	PIPE - VACUUM FLOAT 1.50 IN PVC
122893	1	EA	TUBE - VACUUM VERSATILE DEEP CLEANER
122852S	1	EA	SCREW - #10 X .75 PHP ZP
121565	1	EA	DECK PLATE ASSY - 5.0 IN DIA ABS
121558S	1	EA	ADAPTOR - 1.5 MIPT SHORT X SLIP SCH 40 PVC
121544S	2	EA	SCREW - M3 X 0.5 X 6MM BHSCS SS
121510S	1	EA	O-RING - 2.38 ID X 2.63 OD X .125 DIA 50D NITRILE
121506	1	EA	FILTER - STRAINER SCREEN VERSATILE DEEP CLEANER
121471S	3	EA	SCREW - M5 X 0.8 X 30MM ZP
121467	1	EA	GASKET - VACUUM TUBE INLET NEOPR PSA
119689	1	EA	STRAP ASSEMBLY
116762	1	EA	FITTING - KEEPER CAM LATCH ZP
116613S	1	EA	WASHER - FLAT #10 TYPE B WIDE
114773S	3	EA	WASHER - 3/16 RIVET .19 ID X .47 OD X .05 ZP
112499S	12	EA	SCREW - #10 X 5/8 HIGH LOW PHP BLK
112358S	6	EA	SCREW - #8 X 1/2 PHP ZP BLK
107778	1	EA	LABEL - WARNING ANSI EVOLUTION
106646	1.54	FT	GASKET - .375 X .125 CLOSED CELL NEOPRENE / VINYL / NITRILE
105463	1	EA	GASKET - RECOVERY TANK
103149	2	EA	COVER - HANDLE VDC
100362	1	EA	ASSY - TANK RECOVERY VDC

Parts are available through Legend Brands distributors. To locate a distributor near you, visit [Legendbrandscleaning.com/Dealer-Search](http://Legendbrandscleaning.com/Dealer-Search)  
 For technical questions, visit [info.LegendBrands.com](http://info.LegendBrands.com) or email [service@legendbrandscleaning.com](mailto:service@legendbrandscleaning.com)



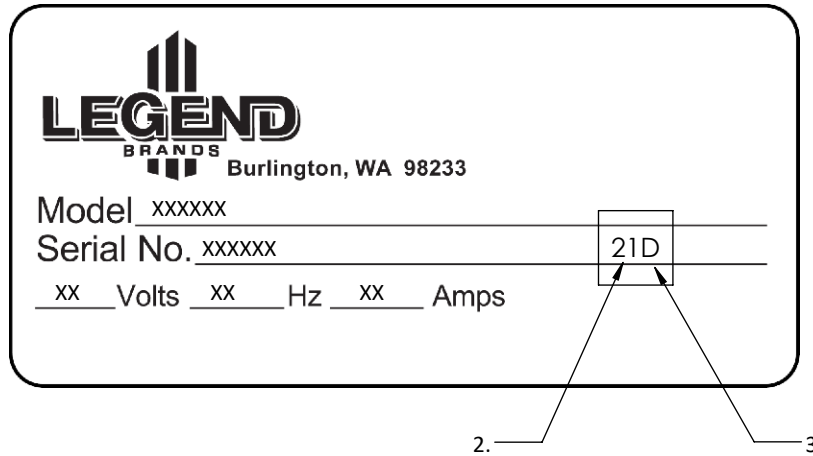
WIRING SCHEMATIC VERSATILE DEEP CLEANER 115V  
(WIRE HARNESS 115942 INCLUDES ALL NUMBERED WIRES CALLED OUT IN SCHEMATIC)

## SOLUTION TANK AND ELECTRICAL BOX ASSEMBLIES

PART NO.	QTY	UNIT	DESCRIPTION
122861	1	EA	GASKET - VACUUM MOTOR COOLING INLET RING NEOPR PSA
121544S	2	EA	SCREW - M3 X 0.5 X 6MM BHSCS SS
120134	1	EA	WASHER - .17 ID X .50 OD X .09 NEOPR RUBBER
117872	1	EA	LABEL - CAUTION HOT SURFACE
115942	1	EA	WIRING HARNESS - 115V VERSATILE DEEP CLEANER
115581	1	EA	STRAIN RELIEF - LIQUID TIGHT .470 BLK
114773S	1	EA	WASHER - 3/16 RIVET .19 ID X .47 OD X .05 ZP
113692	1	EA	TERMINAL BLOCK - GP 4 X 4 SCREW
113351	2	EA	SWITCH - 20 A 250V MAX 0 - BLK HOUSING BLK SWITCH
113326	1	EA	POWER CORD ASSY - 14/3 SJTW 5-15P 25 FT DEFENDAIR HEPA 500
112358S	4	EA	SCREW - #8 X 1/2 PHP ZP BLK
112344S	1	EA	SCREW - #10-24 X 3/4 PHP ZP BLK
110078	1	EA	PLATE - 2 SWITCH VERSATILE DEEP CLEANER
109611	1	EA	NUT - 1/2 NPT NYLON BLK
107985	1	EA	BOX - ELECTRICAL
107682	1	EA	LABEL - SWITCH PLATE HEATED SPOTTER
103276	1	EA	BUSHING - .671 ID X.875 X.41 SPLIT NYLON BLK
100760	1	EA	ASSY - TANK SOLUTION VERSATILE DEEP CLEANER
100393	1	EA	ASSY - CAM LATCH
100354	1	EA	ASSY - ELECTRICAL BOX 115V VERSATILE DEEP CLEANER

Parts are available through Legend Brands distributors. To locate a distributor near you, visit [Legendbrandscleaning.com/Dealer-Search](http://Legendbrandscleaning.com/Dealer-Search)  
For technical questions, visit [info.LegendBrands.com](http://info.LegendBrands.com) or email [service@legendbrandscleaning.com](mailto:service@legendbrandscleaning.com)

# Date Code Legend



1. THE DATE CODE CAN BE FOUND ON THE RIGHT SIDE OF THE SERIAL NUMBER LINE
2. THE FIRST PORTION OF THE DATE CODE REPRESENTS THE LAST TWO DIGITS OF THE YEAR IN WHICH THE PRODUCT WAS MANUFACTURED
3. THE SECOND PORTION OF THE DATE CODE REPRESENTS THE MONTH IN WHICH THE PRODUCT WAS MANUFACTURED. THE MONTHS ARE REPRESENTED BY LETTERS OUTLINED IN THE TABLE BELOW.

LETTER	MONTH
A	JANUARY
B	FEBRUARY
C	MARCH
D	APRIL
E	MAY
F	JUNE
G	JULY
H	AUGUST
I	SEPTEMBER
J	OCTOBER
K	NOVEMBER
L	DECEMBER

NOTE:  
SERIAL LABEL DETAILS (I.E. BRANDING, SPECIFICATIONS, ETC.) ARE SUBJECT TO CHANGE BASED ON THE PRODUCT