

# Multi-Cage Attachment Kit

(Models: F202)

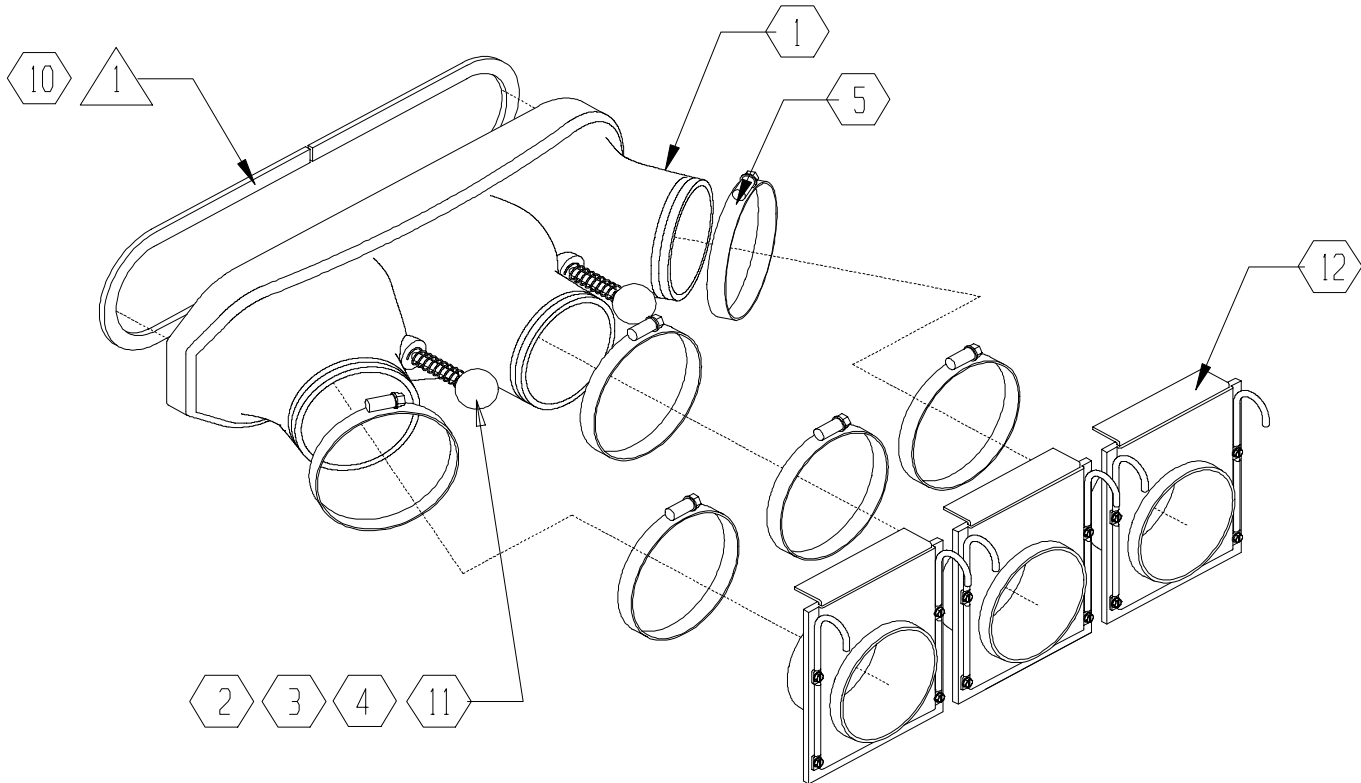
## Symbol Definition

- \* - multiple components to choose from for different models: voltage, size, color, et
- + - if you order this item, you may need to order additional items marked with same number of +'s in order to upgrade or complete repair

Part Description	Specifications/Model	Part #	Qty
11 Washer	1/4" Rivet .26ID x .50OD x .06 Zp	03-00001	ea. 2
Nut	#6-32 Nyloc Thin	03-00051	ea. 12
5 Clamp	Clamp 4" Hose (old part #03-00107)	03-00070	ea. 6
Screw	#6-32 x 1/2 Blk	03-00103	ea. 12
2 Spring	Spring	03-00108	ea. 2
3 Knob	Knob / Ball Thermoplastic	03-00109	ea. 2
10 Gasket	For Snout, 1/2 x 1/2 Polyurethane Psa (39")	03-00121	ft. 3.25'
Bag	Poly 9 x 15	06-00056	ea. 1
Box	24" x 24" x 7" 200 Rsc	06-00114	ea. 1
Manual	Owners Manual / Groom & Show	07-00232	ea. 1
Bracket / Hook	3/16" Zp Wire Bracket	13-00049	ea. 6
4 Hook	Snout Adapter Hook	13-00052	ea. 2
12 Cage Attachment	Blast Gate Assy (ONLY SOLD IN F231 KIT)	13-00114	ea. 3
Ducting	4.0 dia Vinyl (ONLY SOLD AS F274 KIT)	13-00218	ea. 3
Cage Attachment Kit	(3) 13-00114 in kit form	F231	ea. 1
Ducting Kit	(3) 13-00218 in kit form	F274	ea. 1

## Multi-Cage Attachment Pictorial Drawing

\* Portion of Multi-Cage Attachment Kit shown



SNOUT ADAPTER ASSEMBLY

