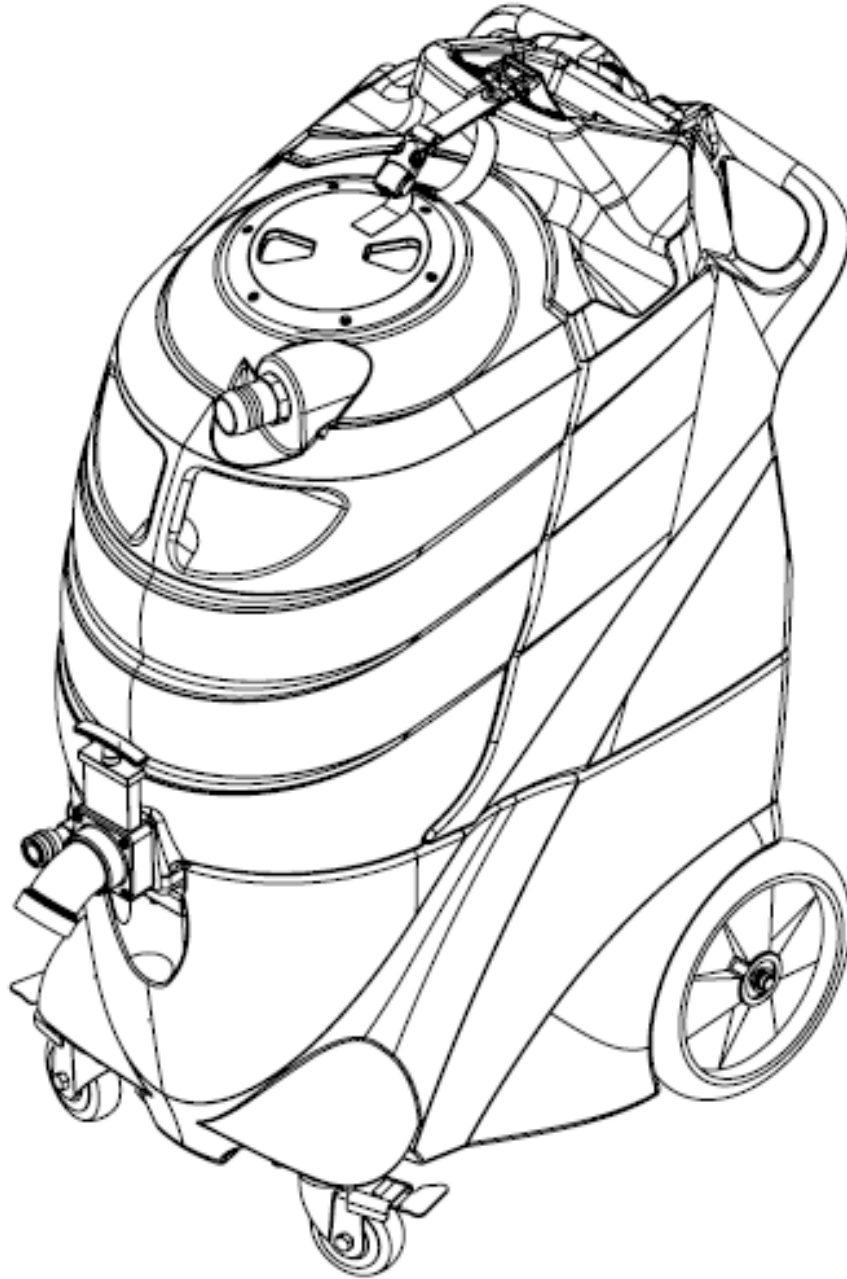


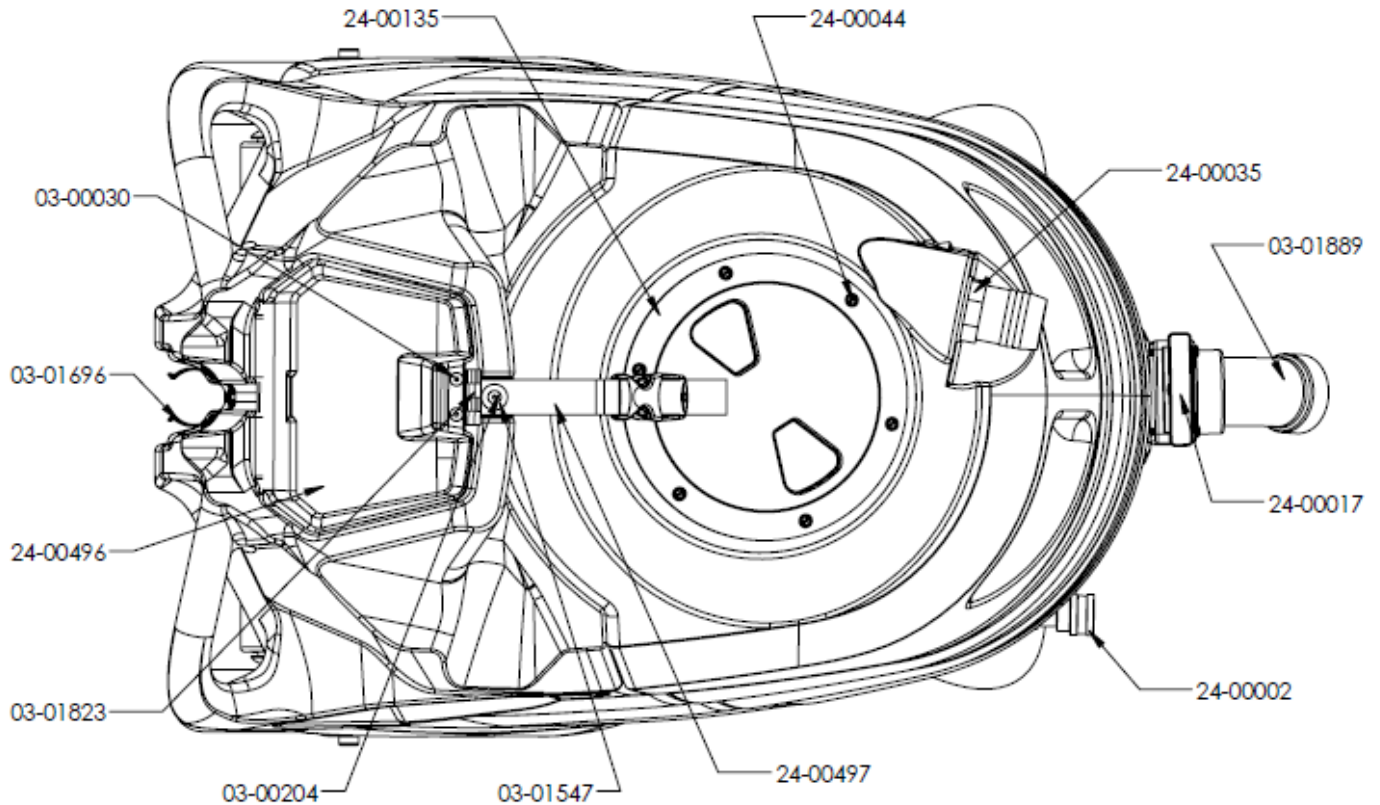
PORTABLE EXTRACTOR 500/500H

(78-013 – 78-014)

115V – 230V

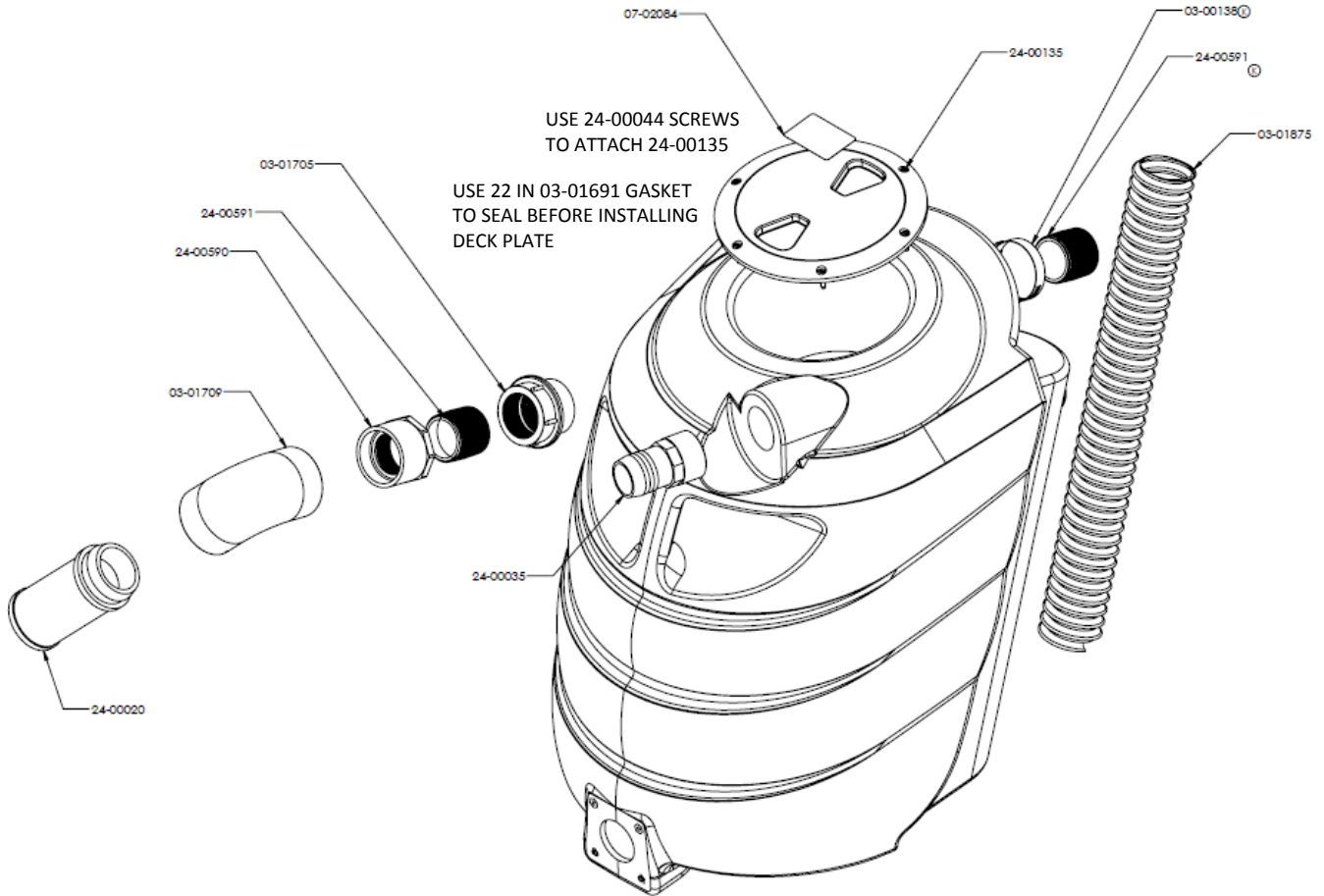


500/500H
TOP VIEW



PART #	QTY	DESCRIPTION
03-00030	4	RIVET - 3/16 X 1/2 AL/AL BLK AND
03-00204	1	RIVET - 3/16 X 5/8 TRI FOLD AL/AL
03-01547	1	WASHER - FLAT .203 ID X .734 OD X .06 THK ZP
03-01696	1	CLIP - GRIP 1.50 DIA SPRING STL BLK VINYL COAT
03-01823	1	HINGE - SURFACE MOUNT 40 X 40MM NYLON BLK
03-01889	1	ELBOW - STREET 45 DEGREE FEMALE X MALE 1.5 ABS DWV BLK
24-00002	1	FTG - 1/4 FPT X 1/4 FQC BRASS
24-00007	2	WHEEL - 10 X 1.75 X .5 BORE BLK (NOT SHOWN FOR CLARITY)
24-00017	1	DUMP VALVE
24-00035	1	FTG - 1 1/2 " X 1 1/2" BARB
24-00044	6	SCREW - #8 X 5/8 PHIL PH ZP
24-00135	1	DECK PLATE - 6" BLK/CLEAR ACCESS LID
24-00496	1	LID - SOLUTION TANK PORTABLES
24-00497	1	STRAP ASSY - 1.00W X 28.00L WITH BUCKLES
24-00552	2	CASTER - 3 1/2 " X 1 1/4 " SOFT RUBBER LOCKING (NOT SHOWN FOR CLARITY)

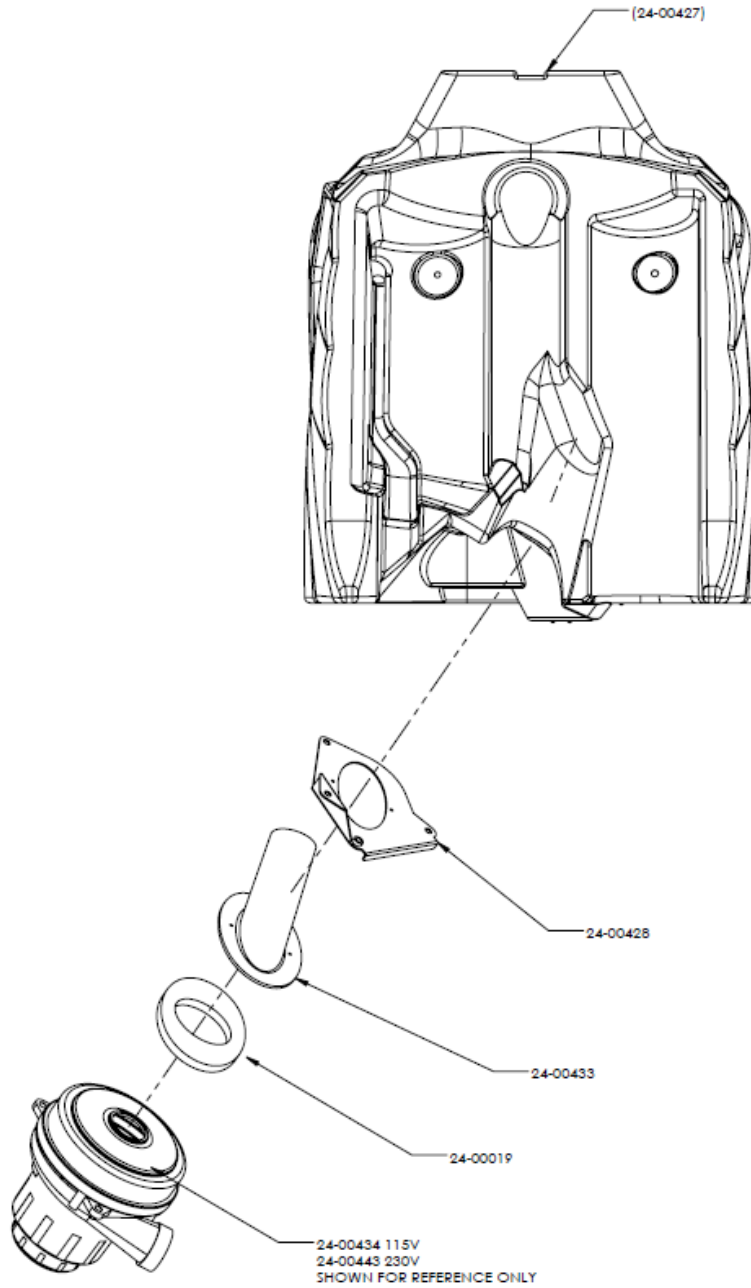
VACUUM TANK ASSEMBLY



VACUUM TANK ASSEMBLY PARTS LIST

PART #	QTY	DESCRIPTION
03-00813	2	CABLE TIE – 11” NYLON
03-01691	1	GASKET – 1/2 X 1/2 PVC PSA
03-01709	1	ELBOW – 90 DEGREE 2 IN DWV PVC WHT
24-00590	1	FTG - ADAPTER 1 1/2 FNPT X 2 IN SLIP
24-00591	1	FTG - NIPPLE CLOSE 1 1/2 NPT
03-00138	1	CLAMP - HOSE 2.50 DIA SAE 32 WORM DRIVE SS
03-01872	4	SCREW – #10-24 X 1.5 PHP ZP
03-01875	17”	HOSE – 2.0 IN X 50FT VACUUM CRUSHPROOF R4 CLEAR
24-00015	1	VAC TANK - POLYETHYLENE
24-00017	1	DUMP VALVE
24-00020	1	FLOAT – SHUT OFF
24-00035	1	FTG – 1 1/2” MPT X 1 1/2 “ BARB
24-00044	6	SCREW - #8 X 5/8 PHIL PH ZP
24-00135	1	DECK PLATE – 6” BLK/CLEAR ACCESS LID
24-00520	1	GASKET – DUMP VALVE
03-01705	1	FITTING - SPIN WELD 1.50 FPT DBL END PE BLK

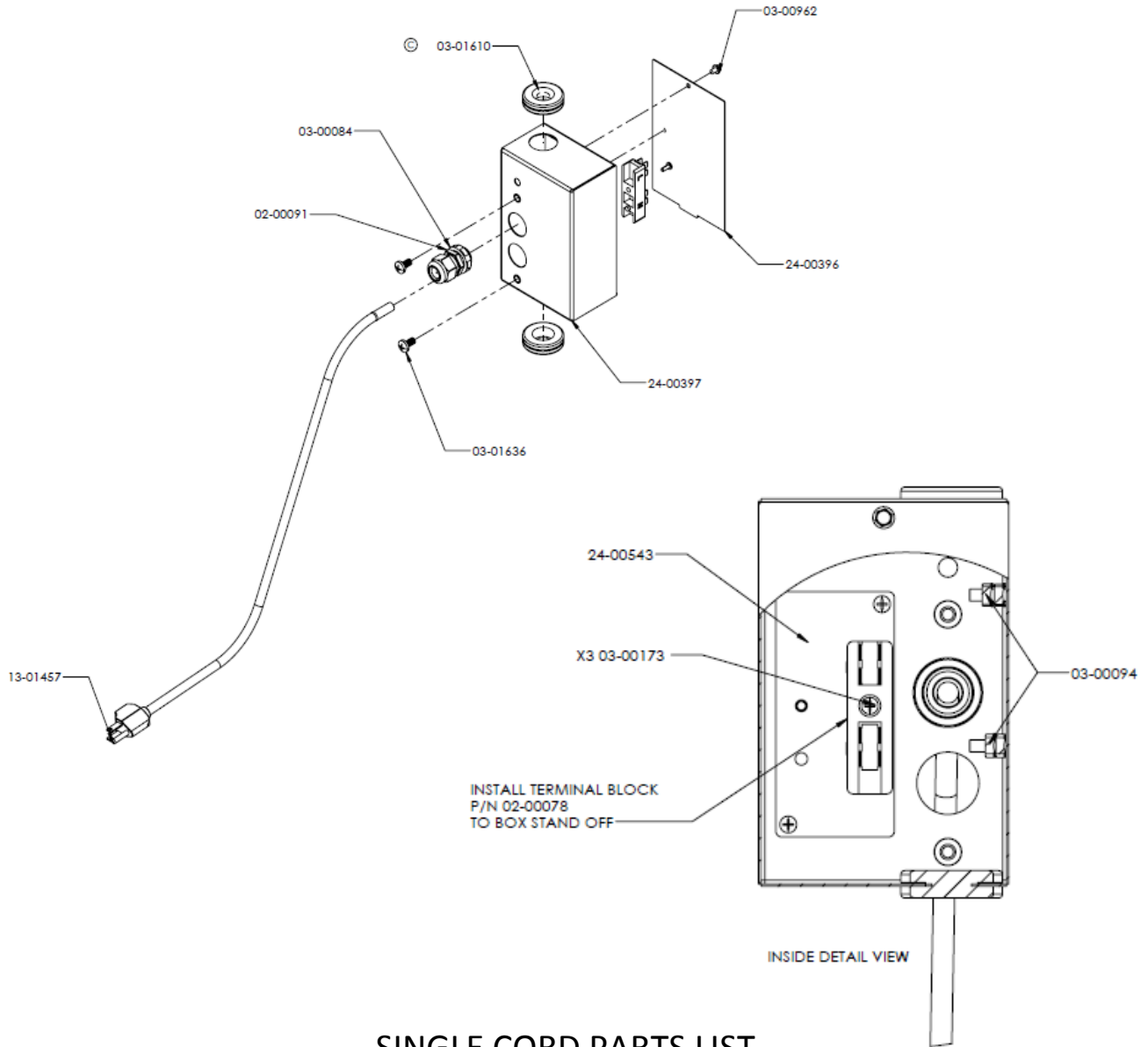
BLOWER AND CONNECTING PARTS



BLOWER AND CONNECTING PARTS LIST

PART #	QTY	DESCRIPTION
24-00019	1	GASKET – FOAM VAC
24-00427	1	TANK – SOLUTION POLYETHYLENE PORTABLE EXTRACTOR 200
24-00428	1	BRACKET – VACUUM ADAPTER PORTABLE EXTRACTOR
24-00433	1	MANIFOLD – VACUUM INLET PORTABLE EXTRACTOR
24-00434	1	BLOWER ASSY – 120V 1600W 1SP 2 STAGE 6.6
24-00443	1	BLOWER ASSY – 230V 1600W 1SP 2 STAGE 6.6

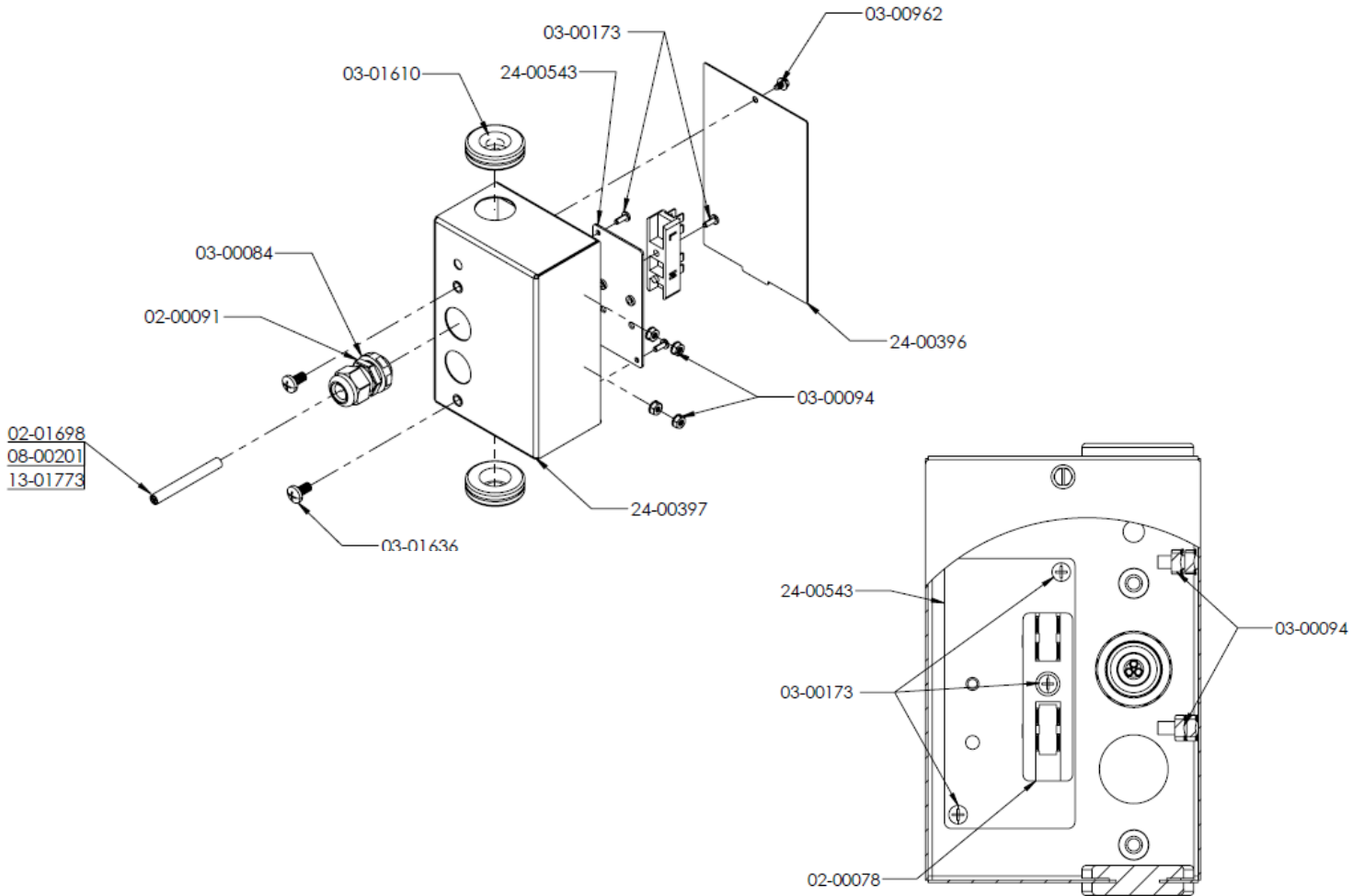
SINGLE CORD (78-013 – 115V)



SINGLE CORD PARTS LIST (115V)

PART #	QTY	DESCRIPTION
02-00078	1	TERMINAL BLOCK – GP 4 X 4 SCREW
02-00091	1	STRAIN RELIEF – LIQUID TIGHT .470 BLK
03-00084	1	NUT – 1/2 NPT NYLON BLK
03-00094	2	NUT - #10-32 W/STAR WASHER ZP
03-00173	1	SCREW - #6-32 X 3/8 PHIL PH ZP
03-00962	1	SCREW - #8-32 X 1/4 TC CLASS 2 HWH ZP
03-01636	2	SCREW – 1/4 -20 X .50 PHP SS
03-01834	2	GROMMET – 1 OD X 1/2 ID X 3/32 PANEL
13-01457	1	POWER CORD ASSY – 14/3 SJTW 5-15 25FT
24-00396	1	FORMING – WIRE BOX COVER PORTABLE
24-00397	1	FORMING – WIRE BOX PORTABLE

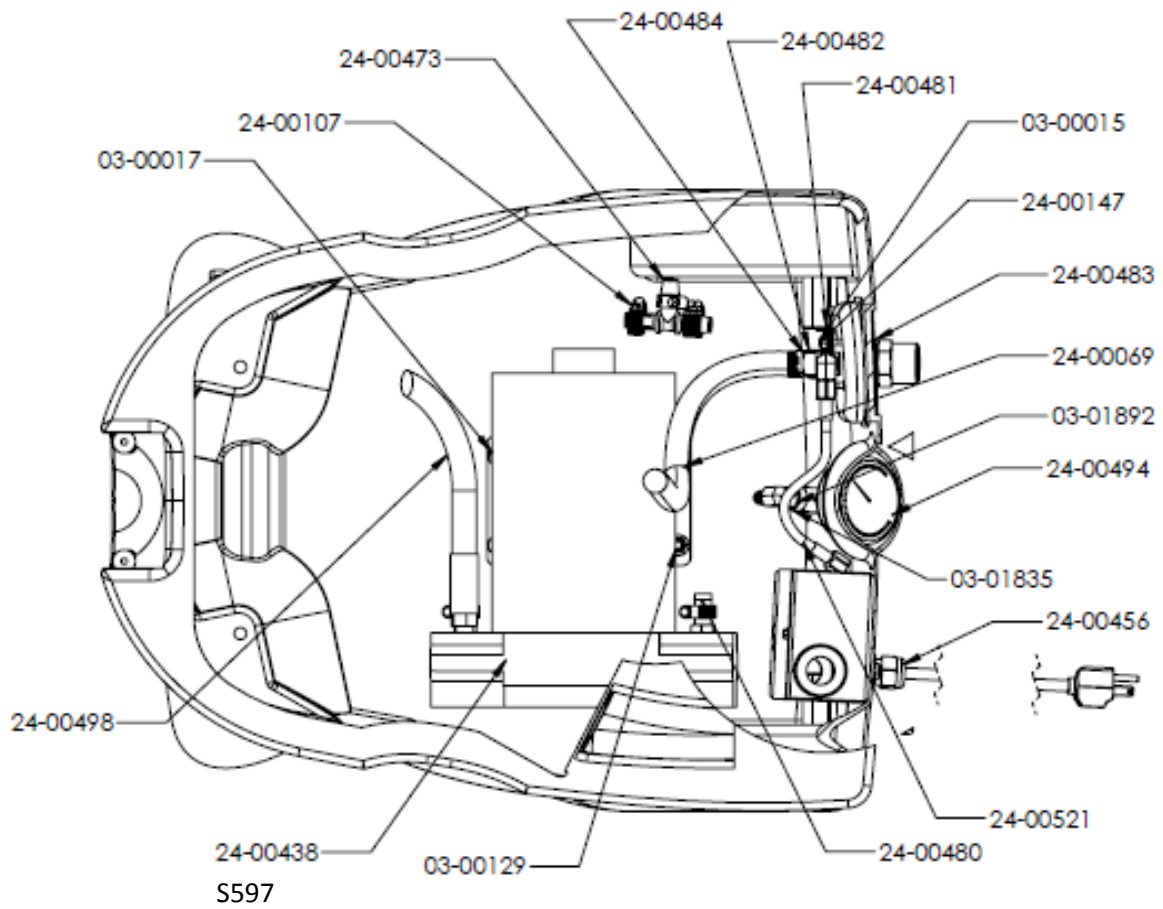
SINGLE CORD 230V (78-013-230V)



SINGLE CORD PARTS LIST (230V)

PART #	QTY	DESCRIPTION
02-00078	1	TERMINAL BLOCK – GP 4 X 4 SCREW
02-00091	1	STRAIN RELIEF – LIQUID TIGHT .470 BLK
02-01698	1	POWER CORD ASSY – 3 X 1.00MM H07RNF AS3112 25FT
03-00084	1	NUT – 1/2 NPT NYLON BLK
03-00094	2	NUT -#10-32 W/STAR WASHER ZP
03-00173	3	SCREW - #6-32 X 3/8 PHIL PH ZP
03-00962	1	SCREW - #8-32 X 1/4 TC CLASS 2 HWH ZP
03-01636	2	SCREW – 1/4-20 X .50 PHP SS
03-01834	2	GROMMET – 1 OD X 1/2 ID X 3/32 PANEL
08-00201	1	POWER CORD ASSEMBLY – 3 X 1.50MM H07RNF BS1363
13-01773	1	POWER CORD ASSY – 3 X 1.00MM H07RNF CEE7/7 25FT
24-00396	1	FORMING – WIRE BOX COVER PORTABLE
24-00397	1	FORMING – WIRE BOX PORTABLE
24-00543	1	PLATE – MOUNTING TERMINAL BLOCK

PUMP
(78-013-115V – 230V)



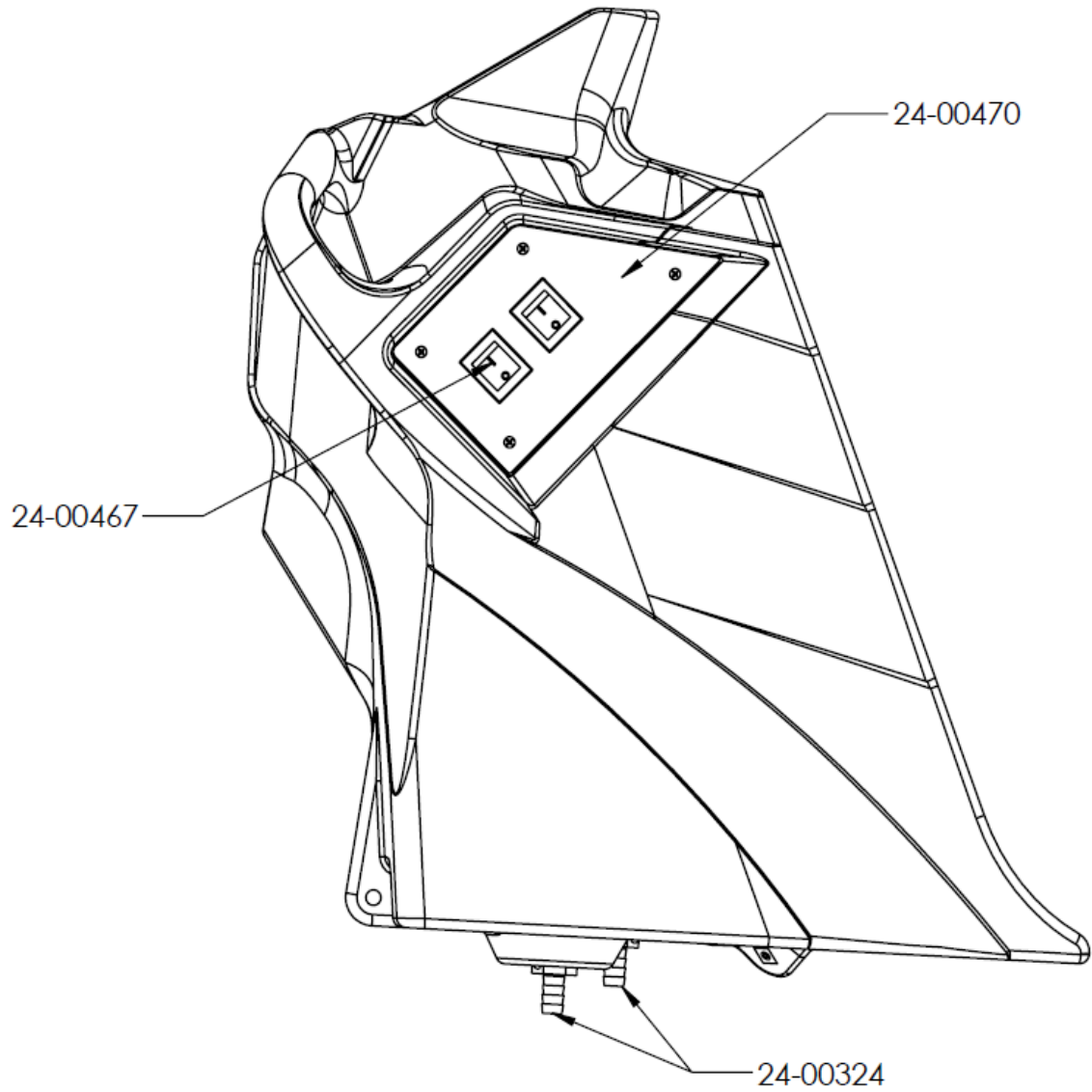
PARTS LIST
(115V – 230V)

PART #	QTY	DESCRIPTION
03-00015	4	NUT - #8-32 NYLOC ZP
03-00017	4	NUT - #8-32 NYLOC ZP
03-00129	4	SCREW – 1/4-20 X 1.00 HWH ZP
03-01835	1	FITTING – 1/4 ELBOW 90 DEG 1/4 FPT X 1/4 FPT
03-01892	2	FITTING – 1/4 MNPT X 04 JIC X ELBOW 90 DEG
24-00069	1	HOSE – 1/2 ID CLEAR 20"
24-00107	10	HOSE – CLAMP .75
24-00147	4	SCREW - #8-32 X .75 PHIL PH ZP
S597	1	SERVICE KIT - 500 PSI PUMP FOR PORTABLES 115V/230V
24-00456	1	ASSY – BOX ELECTRICAL SINGLE CORD 115V
24-00544	1	ASSY – BOX ELECTRICAL SINGLE CORD 230V (NOT SHOWN FOR CLARITY)
24-00436	1	ASSY – BOX ELECTRICAL DUAL CORD 115V (NOT SHOWN FOR CLARITY)
24-00545	1	ASSY – BOX ELECTRICAL DUAL CORD 230V (NOT SHOWN FOR CLARITY)
24-00473	1	FTG – BARB TEE 1/2 IN ID TUBE
24-00480	2	FITTING – 3/8 MPT X 1/2 BARB BRASS
24-00481	1	BRACKET – PANEL MOUNT 500 PSI REGULATOR BOTTOM
24-00482	1	BRACKET – PANEL MOUNT 500 PSI REGULATOR TOP
24-00483	1	VALVE – REGULATOR 600 PSI
24-00484	1	FITTING – TEE 1/4 MX X 1/4 F X 1/4 F
24-00494	1	PRESSURE GAUGE – 0-1500 PSI
24-00498	1	HOSE – 3/8 MNPT 1/4 MNPT X 60 IN

SOME PARTS SHOWN HERE WILL BE RE-USED

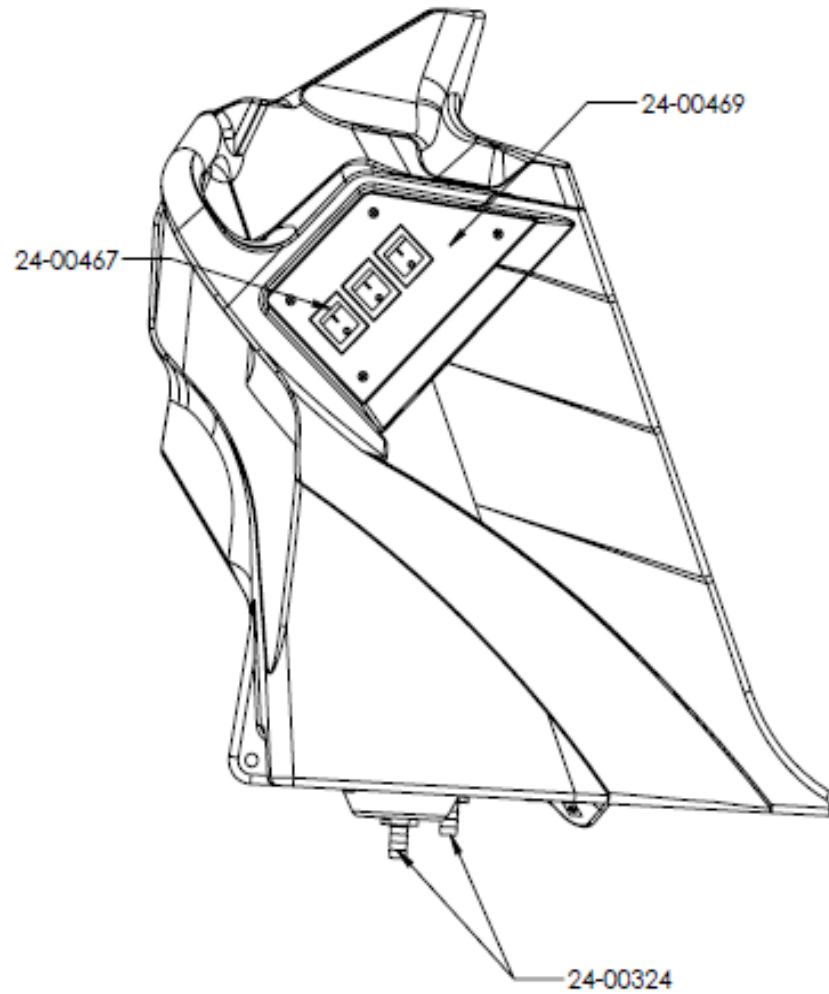
WHEN REPLACING PUMP

SOLUTION TANK PARTS SIDE VIEW 2 SWITCH



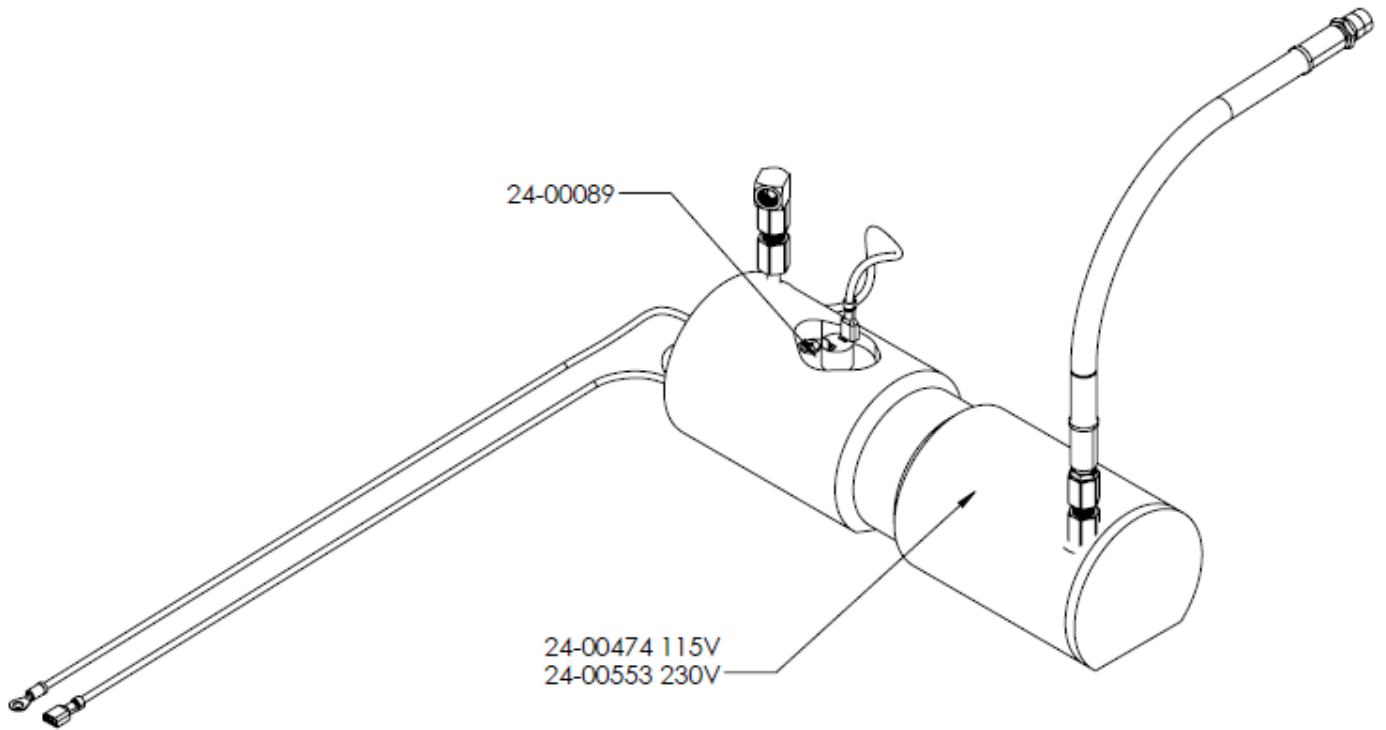
PART #	QTY	DESCRIPTION
24-00324	1	FTG – 1/2 NPT X 1/2 HB NYLON
24-00467	1	SWITCH - ROCKER DPST (SOLD INDIVIDUALLY)
24-00470	1	ASSY – BOX ELECTRICAL 2 SWITCH

SOLUTION TANK PARTS SIDE VIEW 3 SWITCH
(WITH HEAT)



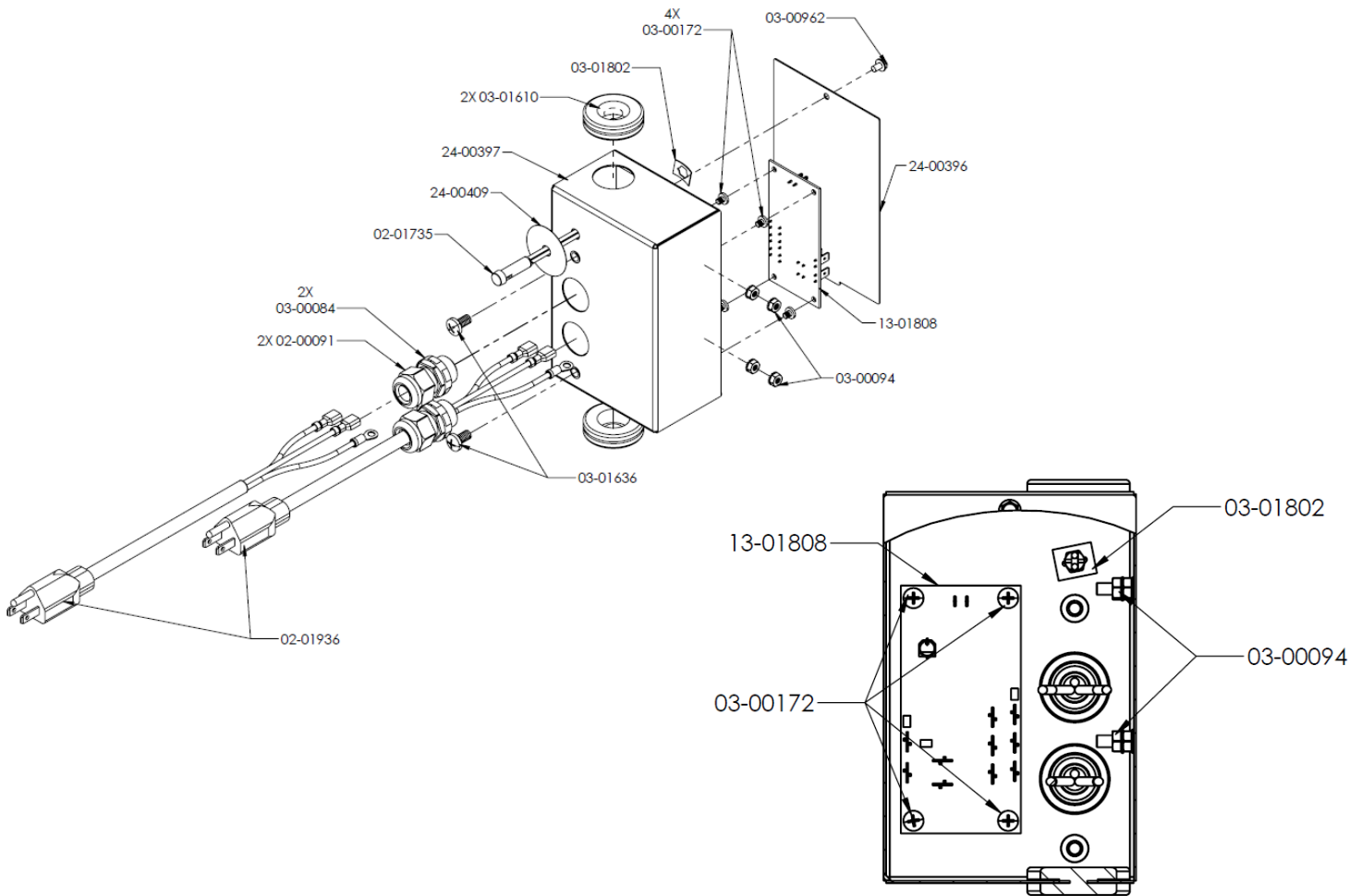
PART #	QTY	DESCRIPTION
24-00324	1	FTG – 1/2 NPT X 1/2 HB NYLON
24-00467	1	SWITCH - ROCKER DPST (SOLD INDIVIDUALLY)
24-00469	1	ASSY – BOX ELECTRICAL 3 SWITCH

HEATER ASSEMBLY
(115V/230V)



PART #	QTY	DESCRIPTION
24-00089	1	SWITCH – 190 DEG THERMOSTAT 115V/230V
24-00474	1	HEATER CARTRIDGE – 1750 WATT 120 VOLT
24-00553	1	ASSY – HEATER 2000 WATT 230V

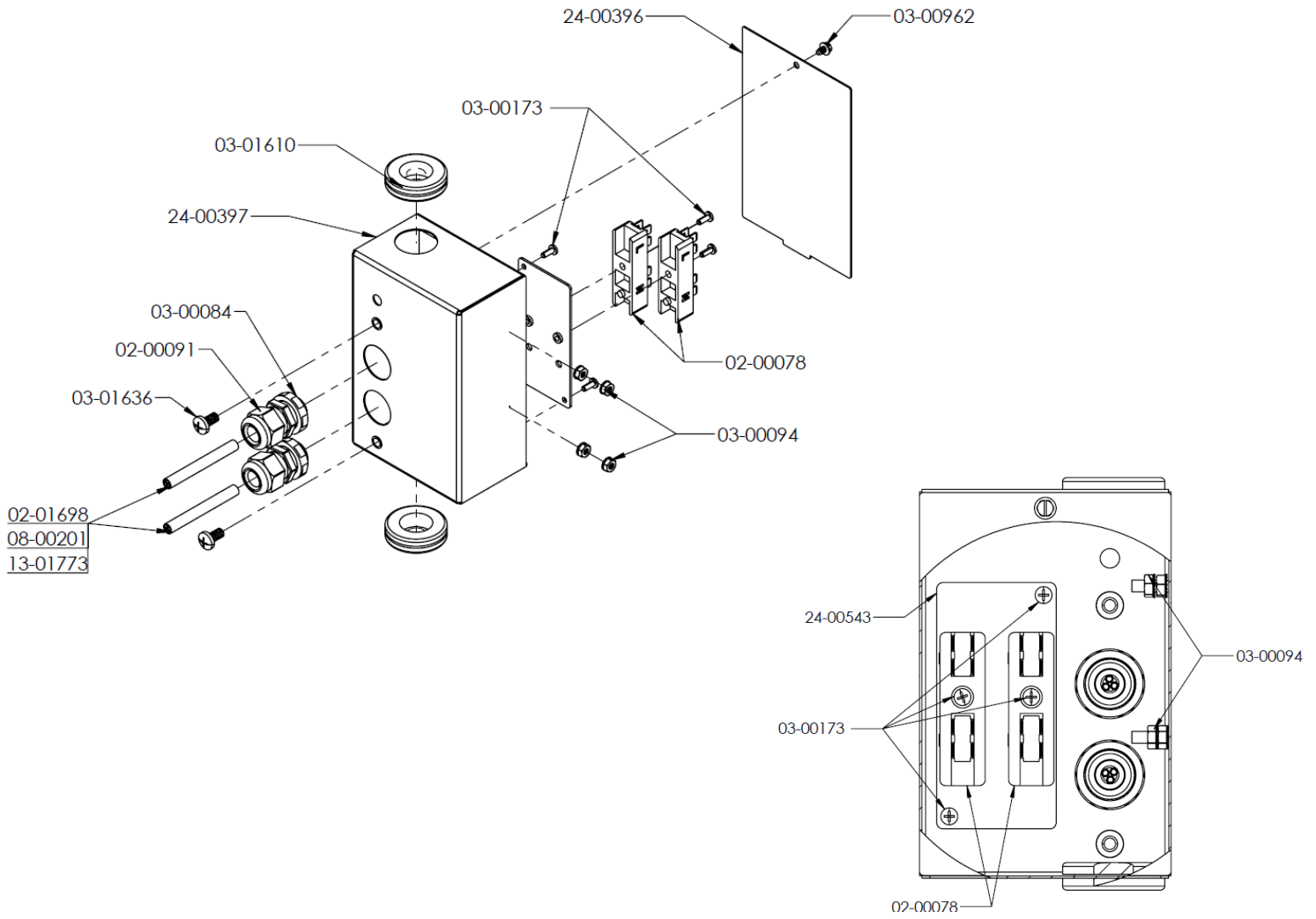
DUAL CORD 115V (78-014-115V)



SINGLE CORD PARTS LIST (115V)

PART #	QTY	DESCRIPTION
02-00091	2	STRAIN RELIEF – LIQUID TIGHT .470 BLK
02-01735	1	LIGHT ASSY – INDICATOR 2V GREEN
02-01936	2	POWER CORD ASSY – 14/3 SJTW NEMA 5-15PH CLEAR/ ROJ 6 IN STRIP 1/4 IN 12 IN
03-00084	2	NUT – 1/2 NPT NYLON BLK
03-00094	4	NUT - #10-32 W/STAR WASHER ZP
03-00172	4	SCREW - #6-32 X 3/16 PHIL PH ZP
03-00962	1	SCREW - #8-32 X 1/4 TC CLASS 2 HWH ZP
03-01610	2	GROMMET - .875 ID X 1.625 OD RUBBER
03-01636	2	SCREW -1/4-20 X .50 PHP SS
03-01802	1	CLIP – TINNEMAN .313 DIA BLK OXIDE
13-01808	1	PCBA – SEPARATE CIRCUIT INDICATOR
24-00396	1	FORMING – WIRE BOX COVER PORTABLE
24-00397	1	FORMING – WIRE BOX PORTABLE
24-00409	1	LABEL – INDICATOR LIGHT SURROUND PORTABLES

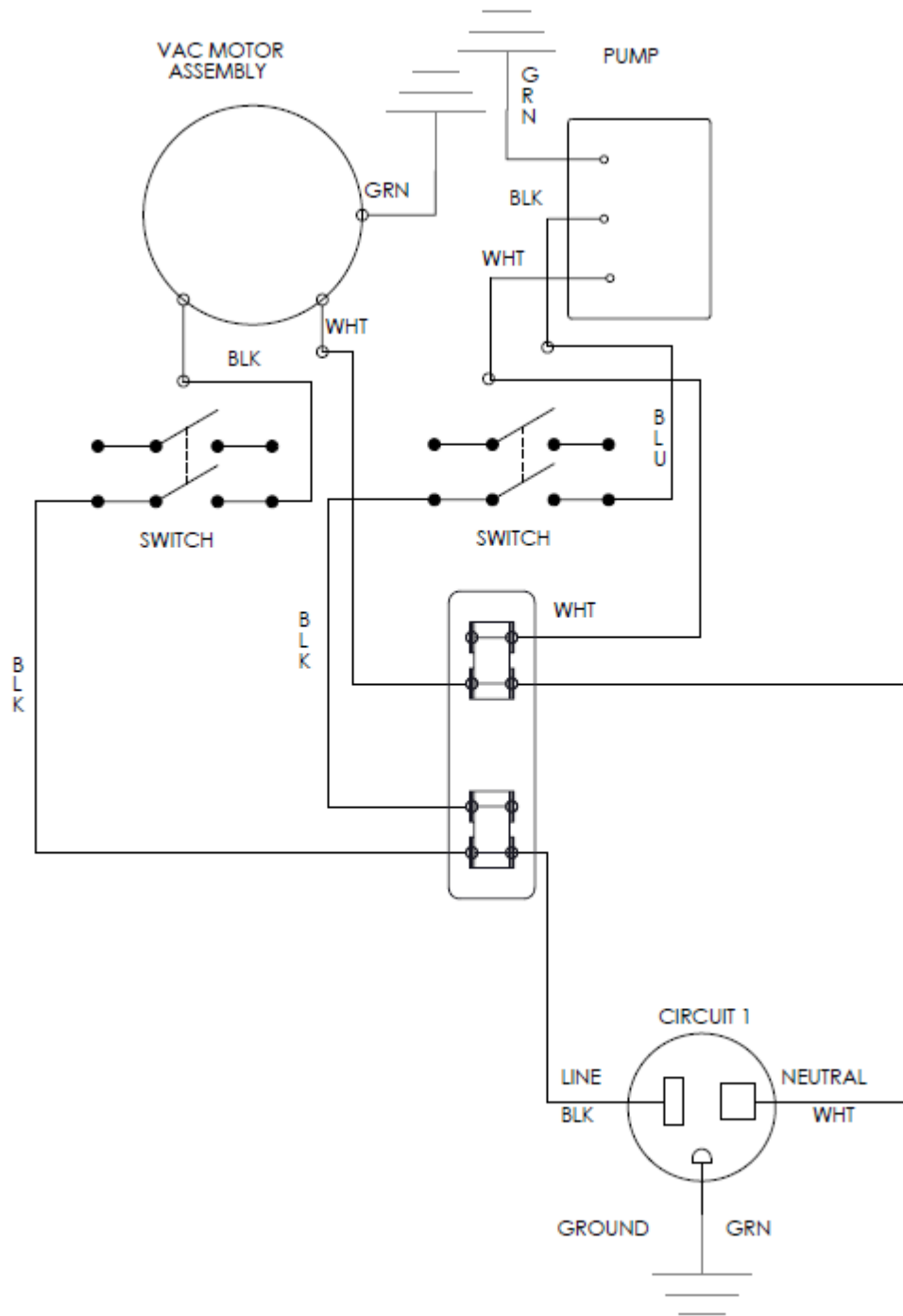
DUAL CORD 230V (78-014-230V)



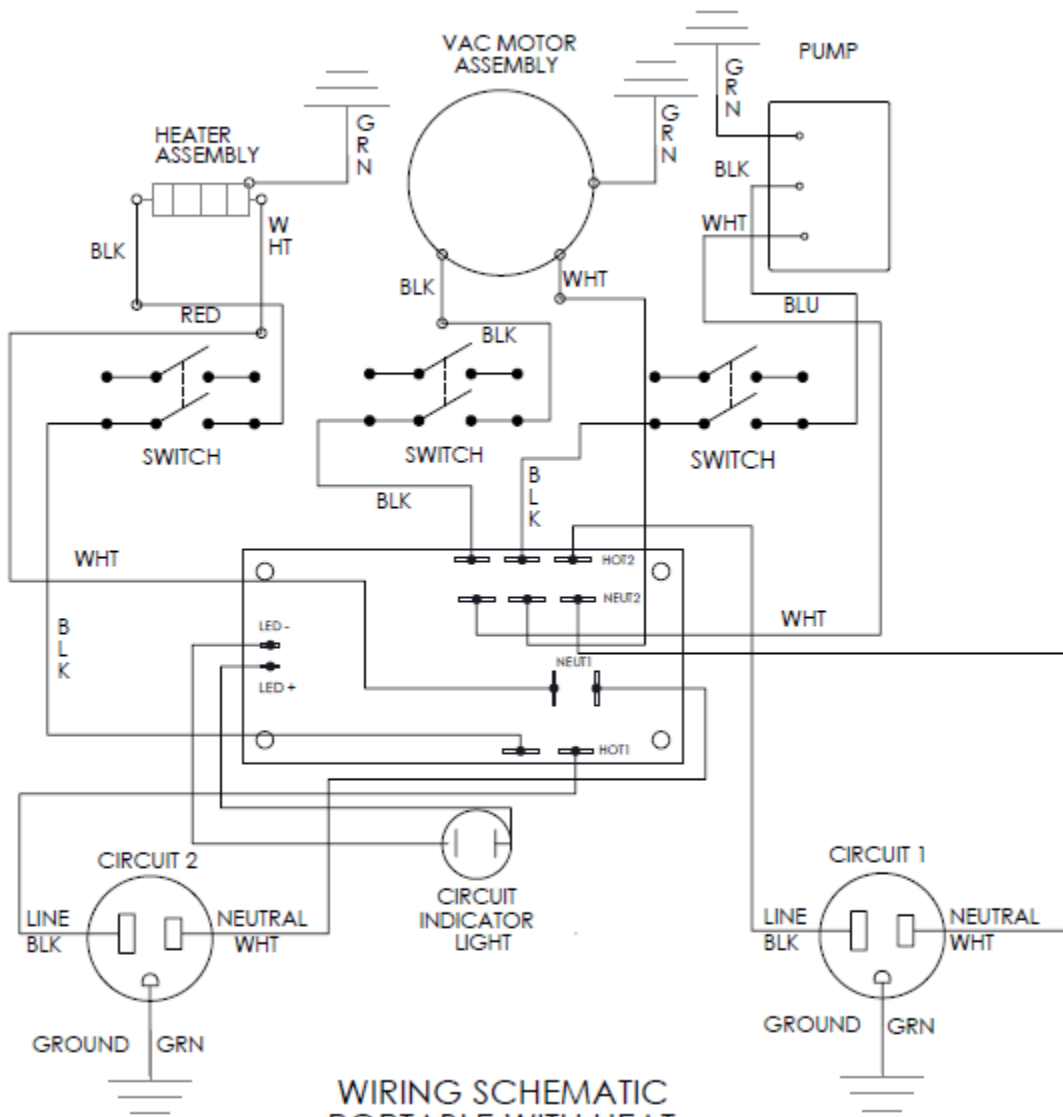
DUAL CORD PARTS LIST (230V)

PART #	QTY	DESCRIPTION
02-00078	2	TERMINAL BLOCK- 4 X 4 SCREW
02-00091	2	STRAIN RELIEF – LIQUID TIGHT .470 BLK
02-01698	1	POWER CARD ASSY – 3 X 1.00MM H07RN AS3112 25FT HEPA 500 230V
03-00084	2	NUT – 1/2 NPT NYLON BLK
03-00094	4	NUT - #10-32 W/STAR WASHER ZP
03-00173	4	SCREW - #6-32 X 3/8 PHIL PH ZP
03-00962	1	SCREW - #8-32 X 1/4 TC CLASS 2 HWH ZP
03-01610	2	GROMMET - .875 ID X 1.625 OD RUBBER
03-01636	2	SCREW – 1/4-20 X .50 PHP SS
08-00201	1	POWER CORD ASSY – 3 X 1.50MM H07RNF BS1363 25FT
13-01773	1	POWER CORD ASSY – 3 X 1.00MM H07RNF CEE7/7 25FT HEPA 500 230V
24-00396	1	FORMING – WIRE BOX COVER PORTABLE
24-00397	1	FORMING – WIRE BOX PORTABLE
24-00543	1	PLATE – MOUNTING TERMINAL BLOCK

WIRING SCHEMATIC 2 SWITCH



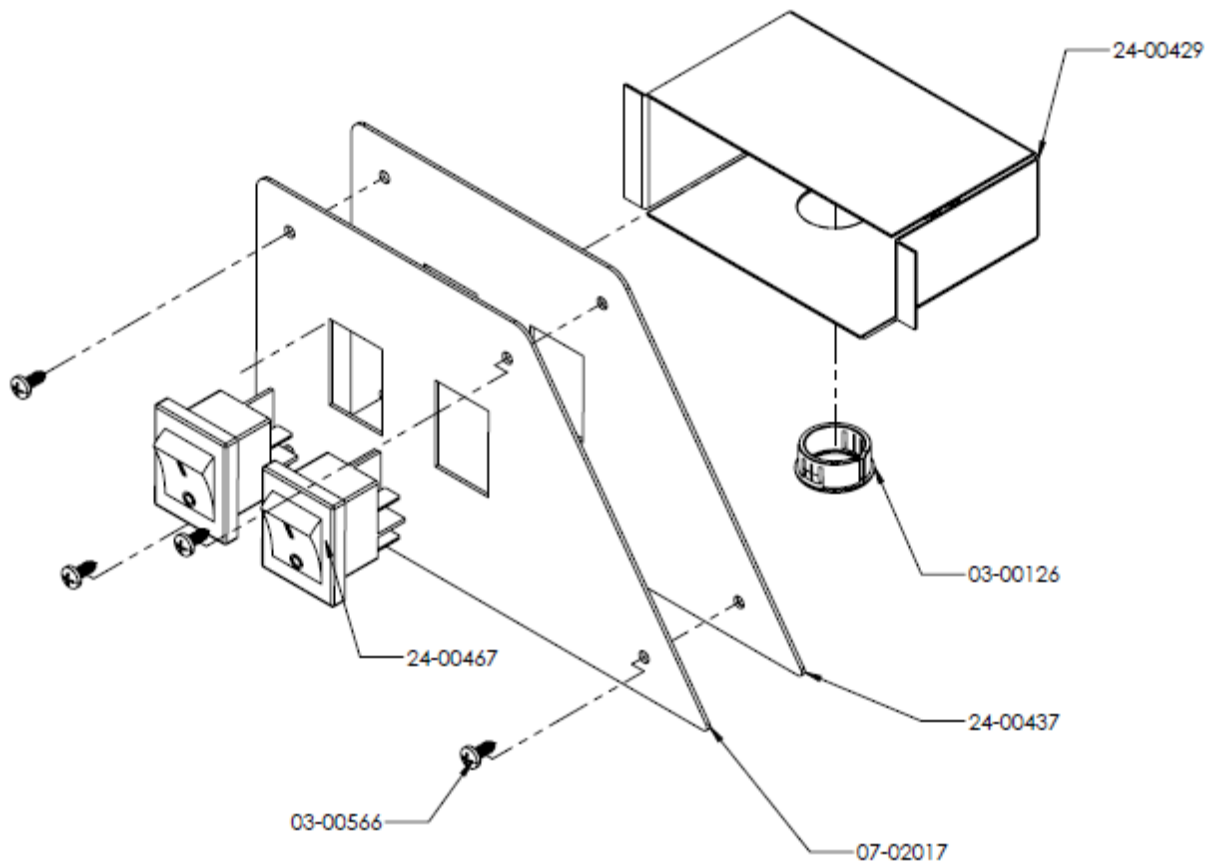
WIRING SCHEMATIC 3 SWITCH



WIRING SCHEMATIC
PORTABLE WITH HEAT

ASSY – ELECTRICAL BOX 2 SWITCH

115V – 230V

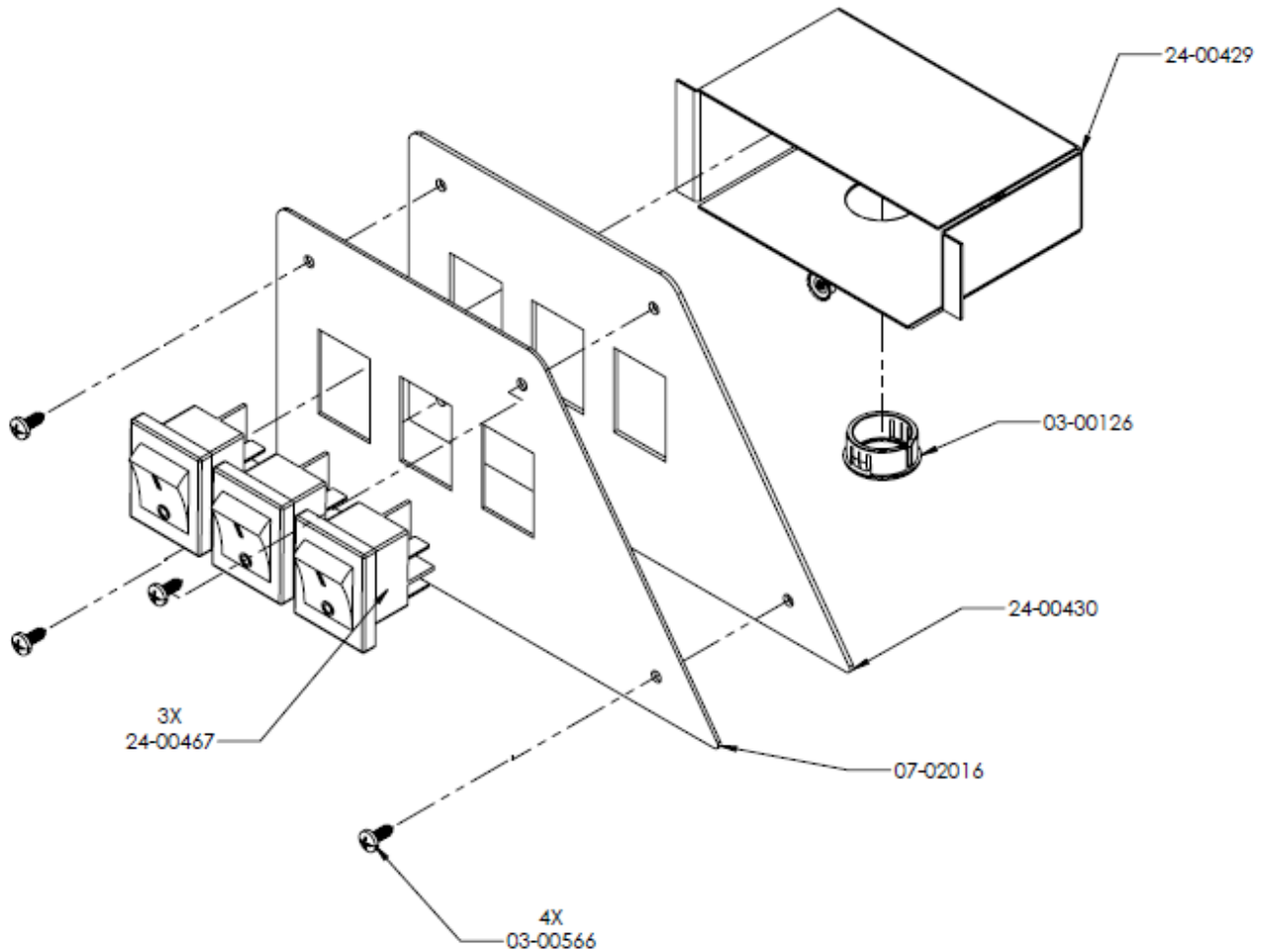


PARTS LIST

PART #	QTY	DESCRIPTION
03-00126	1	BUSHING - .671 ID X .875 X .41 SPLIT NYLON BLK
03-00566	4	SCREW - #6 X 3/8 PHIL PH ZP
07-02017	1	LABEL – PRODUCT SWITCH PLATE 2 HOLE
24-00429	1	ELECTRICAL BOX – SOLUTION TANK PORTABLE EXTRACTOR
24-00437	1	PLATE – SWITCH 2 HOLE
24-00467	2	SWITCH – ROCKER DPST

ASSY – ELECTRICAL BOX 3 SWITCH

115V – 230V



PART#	QTY	DESCRIPTION
03-00126	1	BUSHING - .671 ID X .875 X .41 SPLIT NYLON BLK
03-00566	4	SCREW - #6 X 3/8 PHIL PH ZP
07-02016	1	LABEL – PRODUCT SWITCH PLATE 3 HOLE
24-00429	1	ELECTRICAL BOX – SOLUTION TANK PORTABLE EXTRACTOR
24-00437	1	PLATE – SWITCH 3 HOLE
24-00467	3	SWITCH – ROCKER DPST