

DrizAir LGR 2400 Dehumidifier

(Models: F246, F246-230V, F246-230V UK, F246-GRN, F246-PR)

Symbol Definition

- * - multiple components to choose from for different models: voltage, size, color, et
- + - if you order this item, you may need to order additional items marked with same number of +'s in order to upgrade or complete repair

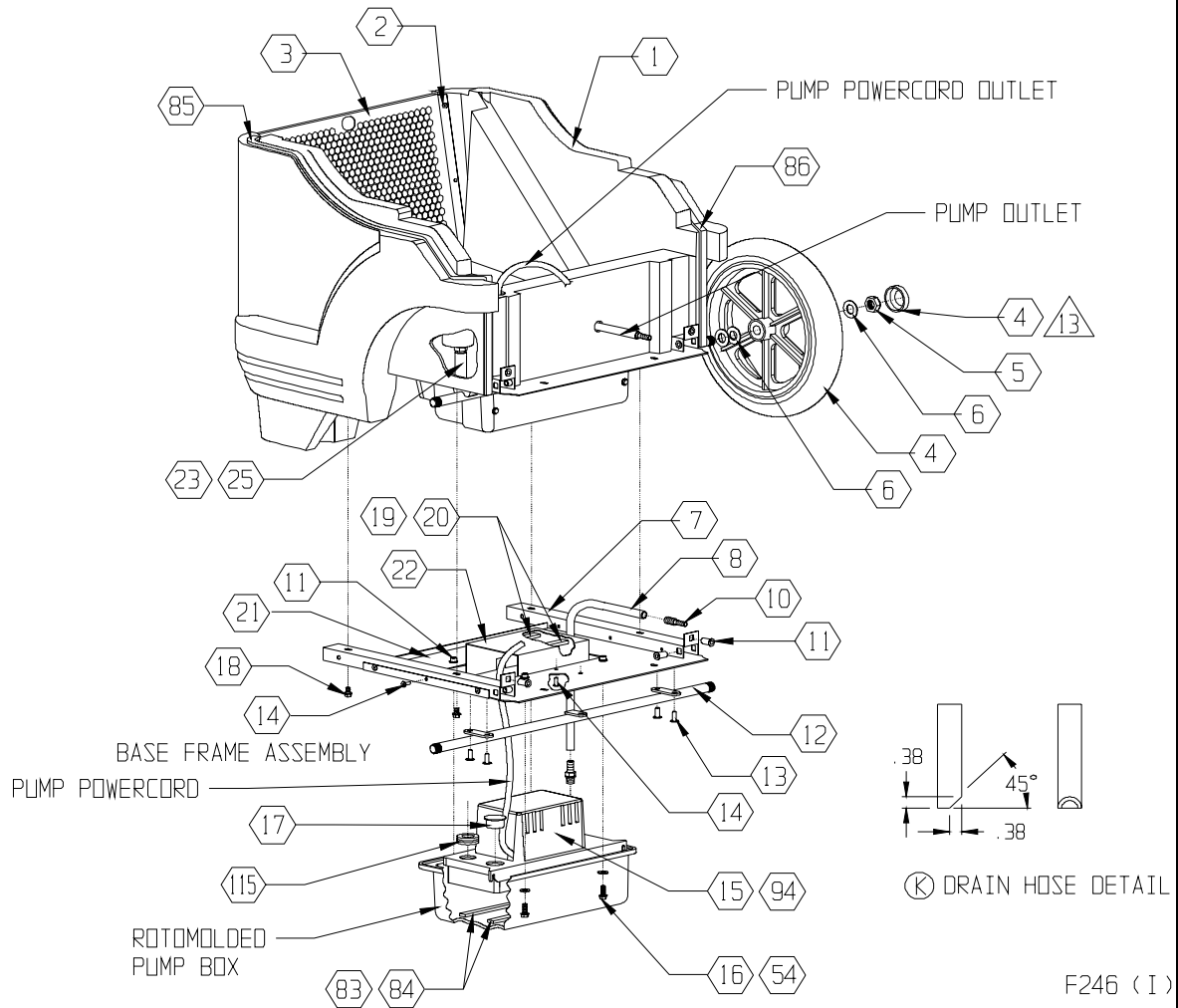
Find#	Part Description	Specifications/Model	Part #	Qty
	Wire	Red 14GA Awm 105c/600v	02-00099	ft. 1.33'
	Wire	White 14GA Awm 105c/600v	02-00101	ft. 1.5'
	Wire	Black 14GA Awm 105c/600v	02-00102	ft. 2.08'
	Wire	Green 14GA Awmm 105c/600v	02-00103	ft. 2.25'
	Connector	Qc .250 Fem Fully Insul 16/14Ga	02-00135	ea. 18
62	Capacitor	45 Mfd 370v 1.75 Dia Round (115V)	02-00155	ea. 1
59	Terminal Block	Gp 6 x 6 x 8 x 4 Qc	02-00157	ea. 1
9	Capacitor	30 Mfd 370v 1.75 Dia Round (230v)	02-00165	ea. 1
47	Strain Relief	Black (Used after 10-99)	02-00218	ea. 1
47	Strain Relief	Black (Used before 10-99)	02-00499	ea. 1
	Connector	Ring #10 Insul 16/14 Ga	02-00516	ea. 5
	Flag Term	14-16 .250 Flag Term Compr (Amp) 4000	02-00769	ea. 3
	Connector	.250 Fem Insul .250 (For 08-00231)	02-01117	ea. 2
82	Cable Tie	Nylon 4"	03-00012	ea. 10
42	Nut	Nyloc 8-32 Zp	03-00015	ea. 2
54	Washer	1/4 ID x 5/8 OD Flat	03-00018	ea. 8
2	Screw	#8 x 1/2" Pan Hd Phil	03-00023	ea. 12
17	Cap	Plastic Blk 1.125 Dia	03-00027	ea. 1
53	Nut	1/4-20 Nylon Insert Thin (-230v)	03-00029	ea. 4
45	Washer	Rivet 1/8" Zp	03-00035	ea. 3
63	Nut	#10-24 W/Star Washer Zp	03-00038	ea. 5
102	Washer	3/8 ID x 7/8 OD x .07 Zp	03-00086	ea. 2
58	Screw	1/4-20 x 1/2" Hwh Ser Zp	03-00092	ea. 14
18	Screw	1/4-20 X 3/8 Hwh w/ Nyloc	03-00105	ea. 6
	Insert	1/4-20 x .50 x .50 Hh Al	03-00106	ea. 14
	Wear Strip	Rd 1" Dia Clearbutyrate (26.6" x 2-precut)	03-00112-01S	ft. 6
5	Nut	5/8-11 Nyloc Thin Zp	03-00113	ea. 2
6	Washer	5/8 An .63 ID x 1.187 OD x .06 SS	03-00114	ea. 6
	Nut	3/8 NPT Insert Brass	03-00115	ea. 1
28	Screw	Axle 5/16 x 1.84 w/Nut Zp	03-00117	ea. 2
26	Screw	1/4-20 x 1.75 (Holds cover on use with 03-00	03-00118	ea. 6
31	Screw	1/4-20 x 2.50 Ohp Cs Ss	03-00120	ea. 6
90	Gasket	1/2 x 1/2 Polyurethane PSA (18")	03-00121	ft. 1.5'
89	Gasket	1/2 x 1/2 Polyurethane PSA (18")	03-00121	ft. 1.5'
88	Gasket	1/2 x 1/2 Polyurethane PSA (17")	03-00121	ft. 1.42'
87	Gasket	1/2 x 1/2 Polyurethane PSA (60")	03-00121	ft. 5'
86	Gasket	1/2 x 1/2 Polyurethane PSA (33")	03-00121	ft. 2.75'
85	Gasket	1/2 x 1/2 Polyurethane PSA (33")	03-00121	ft. 2.75'
84	Gasket	1/2 x 1/2 Polyurethane PSA (8")	03-00121	ft. 0.67'
83	Gasket	1/2 x 1/2 Polyurethane PSA (8")	03-00121	ft. 0.67'
20	Gasket	1/2 x 1/2 Polyurethane PSA (4")	03-00121	ft. 0.33'
19	Gasket	1/2 x 1/2 Polyurethane PSA (4")	03-00121	ft. 0.33'
60	Bushing	.671 ID x .875 x .41 Nylon Black	03-00126	ea. 4
16	Bolt	Hex Hd 1/4-20 x 3/4" Zinc Plated	03-00139	ea. 4

Find#	Part Description	Specifications/Model	Part #		Qty
11	Nut	1/4-20 Hexsert Zp Stl	03-00162	ea.	14
113	Grommet	Block line wgt 1.92 longx62.5 rubber-F246)	03-00164	ea.	1
115	Grommet	.75 ID x 1.375 OD Rubber	03-00179	ea.	1
44	Rivet	1/8 x 5/16 Al/Al	03-00206	ea.	3
13	Rivet	1/4 x 1/4 Stl/Stl 8-4 (Rev I)	03-00208	ea.	4
14	Rivet	Stl/Stl SB6-4	03-00432	ea.	39
33	Clamp	Hose Green 1/4" 5073-133	03-00471	ea.	1
70	Washer	3/8 Uss .438 ID x 1.00 OD x .083 Zp	03-00506	ea.	3
	Cable Tie	11"	03-00813	ea.	4
37	Screw ++	Hwh Class 2 Tf 8-32 x 1/4	03-00962A	ea.	9
91	Washer	Rivet 5/32"	03-01333	ea.	3
71	Bolt	Shoulder 5/18-18 x 1.25	03-01336	ea.	3
92	Rivet	5/32 x 1/2 Al/Al Blk Anod	03-01367	ea.	2
24	Clamp	Hose Blk 3/4 " Um5084	03-01464	ea.	1
	Clamp	Hose clamp 1/2 ID (for 13-00083)	03-01481	ea.	1
48	Plate	Strain Relief w/ Pc Wrinkle Black	04-00052-01	ea.	1
	Pallet Assy	Dritec/2400	06-00027	ea.	1
	Box	27.5 x 25.25 x 47.5	06-00075	ea.	1
97	Label	Model/Serial Number 230v CE Dehu	07-00162	ea.	1
32	Label	Model/Serial Number 115v UL/CUL	07-00165	ea.	1
	Manual	Dehumidifier (230v)	07-00212	ea.	1
36	Label	Warning, Turbo Indoors	07-00259	ea.	1
38	Label	Product DZ2400	07-00264	ea.	1
	Insert	Declaration of Conformance (-230v)	07-00289	ea.	1
101	Label	Product, DZ2400 SP (F246-SP)	07-00305	ea.	1
98	Label	Patent License DZ2400	07-00351	ea.	1
80	Label	Caution Y/B Dehumidifier	07-01432	ea.	1
	Manual	Owners DZ2400	07-01486	ea.	1
	Refrigerant - 230v	R-134a, 9.3 oz (264g) for each of 6 pipes	08-00139	oz.	55.8
	Valve ++	5/16 Line Service, for F246 Coil Assy	08-00144	ea.	6
55	Duct Ring	6" Dia Abs Blk	08-00157	ea.	1
65	Frame	Vertical Galv Stl	08-00158	ea.	2
7	Frame	Base Galv Steel	08-00159	ea.	2
81	Shroud	Coil Galv Steel	08-00160	ea.	1
66	Support	Coil Galv Steel	08-00161	ea.	1
67	Support	Horizontal Galv Steel	08-00162	ea.	2
22	Cover	Pump Galv Steel	08-00163	ea.	1
69	Support	Compressor Galv Steel	08-00164	ea.	1
21	Base	Galv Steel	08-00166	ea.	1
68	Plate	Compressor Mount Galv Steel	08-00167	ea.	1
12	Axle Assy	5/8 OD x 24.61 Stl Zp	08-00168-01	ea.	1
52	Cord Wrap	.250 Wire Pc Wrinkle Blk	08-00169-01	ea.	2
57	Hose Wrap	.250 Wire Pc Wrinkle Blk	08-00170-01	ea.	2
27	Handle Assy	Rigid W/Pc Wrinkle Blk	08-00171-01	ea.	1
72	Compressor + ***	115v, 13315 Btu	08-00172	ea.	1
1	Base	Polyethylene Flint Grey	08-00174S	ea.	1
56	Rear Panel	Polyethylene	08-00175S	ea.	1
39	Cover	Polyethylene Fisher Blue	08-00176S	ea.	1
78	Cover	Polyethylene Teal Grn-SM (F246-SM)	08-00176-01S	ea.	1
100	Cover	Polyethylene Turf Grn-SP	08-00176-02S	ea.	1
	Cover	Polyethylene Rein Orange	08-00176-03S	ea.	1
	Cover	Polyethylene Pearl Red	08-00176-07S	ea.	
15	Pump	Centrifugal 115v 80 Gph 5 ft cord	08-00177	ea.	1
	Wire Harness	115v DZ2400	08-00179S	ea.	1
41	Blower Assy	Centrifugal 115v 1550 RPM 1	08-00182	ea.	1
3	Filter Shroud	Pc Wrinkle Black	08-00183-01	ea.	1

35	Panel	Left Electrical Box	08-00184	ea.	1
----	-------	---------------------	----------	-----	---

Find#	Part Description	Specifications/Model	Part #	Qty
61	Panel	Right Electrical Box	08-00185	ea. 1
49	Electrical Box	Galvanized Steel	08-00186	ea. 1
43	Shield	Motor Galv Steel DZ2400	08-00187	ea. 1
77	Fitting ++	Tee 5/16 x 5/16 x 5/16 Copper	08-00188	ea. 1
75	Fitting ++	Tee 1/2 x 1/2 x 1/4 Copper	08-00189	ea. 1
73	Compressor Cord Assy	14/4 SJOOW	08-00190S	ea. 1
99	Compressor + ***	230v, 13330 BTU	08-00196	ea. 1
94	Pump	Centrifugal 230v 80 gph 5 ft cord	08-00197	ea. 1
93	Blower Assy	Centrifugal 230v 1350 RPM 1	08-00199	ea. 1
95	Power Cord Assy	3 x 1.5mm H05vv 25' (230v)	08-00200	ea. 1
96	Power Cord Assy	3 x 1.5mm H05vv 25' (230v UK)	08-00201	ea. 1
46	Power Cord Assy	14/3 SJTW 5-15P 25' (115v)	08-00203	ea. 1
103	Solenoid Assy	115v	08-00231	ea. 1
104	Solenoid Assy	230v	08-00232	ea. 1
105	Overload + **	Compressor, 115v	08-00236	ea. 1
106	Overload + **	Compressor, 230v (F198/F246)	08-00238	ea. 1
107	Nut +	Terminal Cover Hh Compressor	08-00240	ea. 1
108	Gasket/Washer +	7/32 ID x 9/16 OD Rubber for Comp	08-00241	ea. 1
109	Spring +	1-1/16 OD x 1/2 H	08-00242	ea. 1
110	Gasket +	Terminal Cvr 2-5/16 x 9/16 x .036 Rubber	08-00243	ea. 1
111	Cover +	Terminal 3-1/4 x 2 x 1-5/8 Plastic	08-00245	ea. 1
112	Rubber Foot, Grommet	.375 ID x 1.125 OD Rubber Blk Compr.	08-00248	ea. 3
64	Coil Assy ++	Evaporator/Condenser/Heatpipe-F246	08-00255	ea. 1
51	Baffle Plate ++	for evaporator - F246	08-00256	ea. 1
	Refrigeration Lines	DZ2400 (F246)	08-00258S	ea. 1
50	Control Panel Assy****	Programmable (Use w/ 08-00260)	08-00259	ea. 1
114	Sensor Cable Assy*****	(Use w/ Control Panel 08-00259)	08-00260	ea. 1
	Refrigerant - 230v	R-417a, main system (681g) (\$25 Flat Fee)	08-00265	oz. 24
	Microswitch +++ *	Centrifugal pump, 115v/230v	08-00298	ea. 1
	Screw +++	Microswitch, Centrifugal pump	08-00299	ea. 2
	Nut +++	Microswitch, Centrifugal pump	08-00300	ea. 2
	Washer, lock +++	Microswitch, Centrifugal pump	08-00301	ea. 4
	Filter Dryer	(F198)	08-00754	ea. 1
	Refrigerant - 115v	R-22, main system (595g)(\$25 Flat Fee)	08-00755	oz. 21
	Refrigerant - 115v	R-22, 9.3 oz (264g) for each of 6 pipes	08-00755	oz. 76.8
4	Wheel	12 x 2 x 5/8 Bore Gry w/ Dustcaps	13-00053	ea. 2
29	Wheel	3 x 1.188 x 5/16 Bore Blk	13-00054	ea. 2
8	Tubing	3/8 x 5/8 OD Braided PVC (2')	13-00083	ft. 2'
	Grommet	Edging .131 x .160 Polyethylene w/Adh (3.5'	13-00150	in 2.5"
34	Tubing	1/4" ID x 3/8" OD Vinyl (40')	15-00195	ft. 40'
23	Tubing	1/2" ID x 3/4" OD Clear Vinyl	15-01463	ft. 0.3'
	Tubing ++	1/4" Copper Soft AC/R	18-00757	ft. 1.58'
	Tube ++	1/2" OD x .0321 Wall Copper	18-00759	ft. 4.37'
79	Valve	By-Pass Hot Gas	18-00760	ea. 1
	Tube ++	5/16" Dia Soft Copper Tube AC/R	18-00765	ft. 3.21'
74	Valve ++	Line Service 1/4" Dia Copper, Shrader	18-00817	ea. 1
10	Hose Barb Fitting	3/8 x 1/4 Connector (Drain Hose)	18-01052	ea. 1
25	Fitting	3/8 Mpt x 1/2 Hb	18-01391	ea. 1
	Torque Tool	#20 Torx Bit T- Handle Service Tool	S247	ea. 1
	Control Panel Kit	Programmable	S253	ea. 1
	MicroSwitch Kit *	incl. Screws, nuts, washers	S262	ea. 1

DrizAir LGR 2400 Pictorial Drawing



DrizAir LGR 2400 Pictorial Drawing

