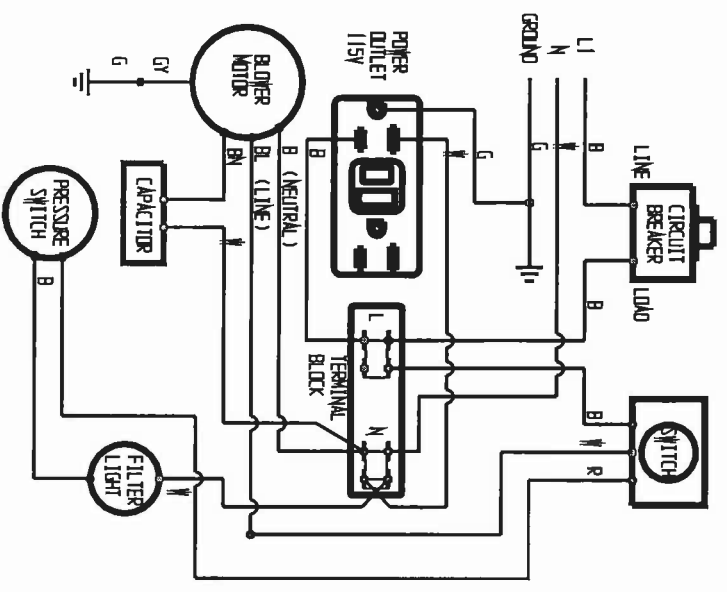


HEPA FLEENUM DETAIL

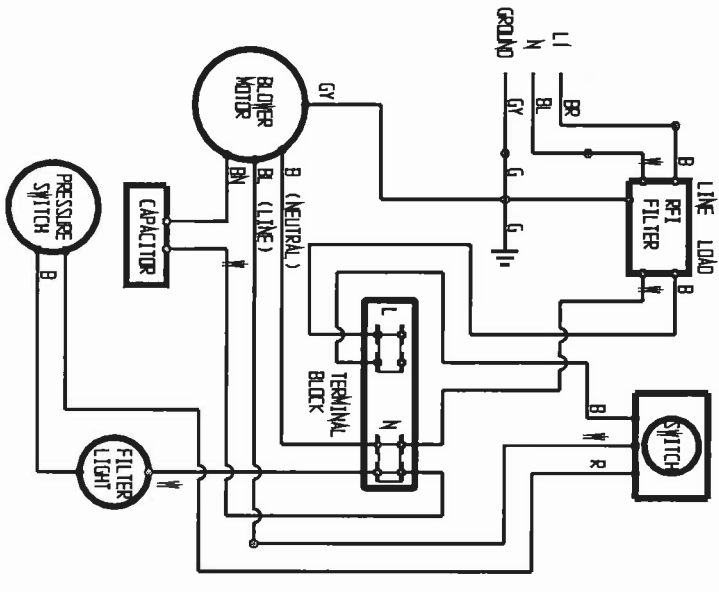
HEPA 500 - 115V 60HZ WIRING DIAGRAM



WIRING COLOR CODES

B = black	W = white
G = green	Br = brown
R = red	Bl = blue
Gr = green/yellow	

HEPA 500 - 230V 50HZ WIRING DIAGRAM



WIRING COLOR CODES

B = black	W = white
G = green	Br = brown
R = red	Bl = blue
Gr = green/yellow	